

OUTLAW® 70 WINDSHIELD KIT



P/N 2885005

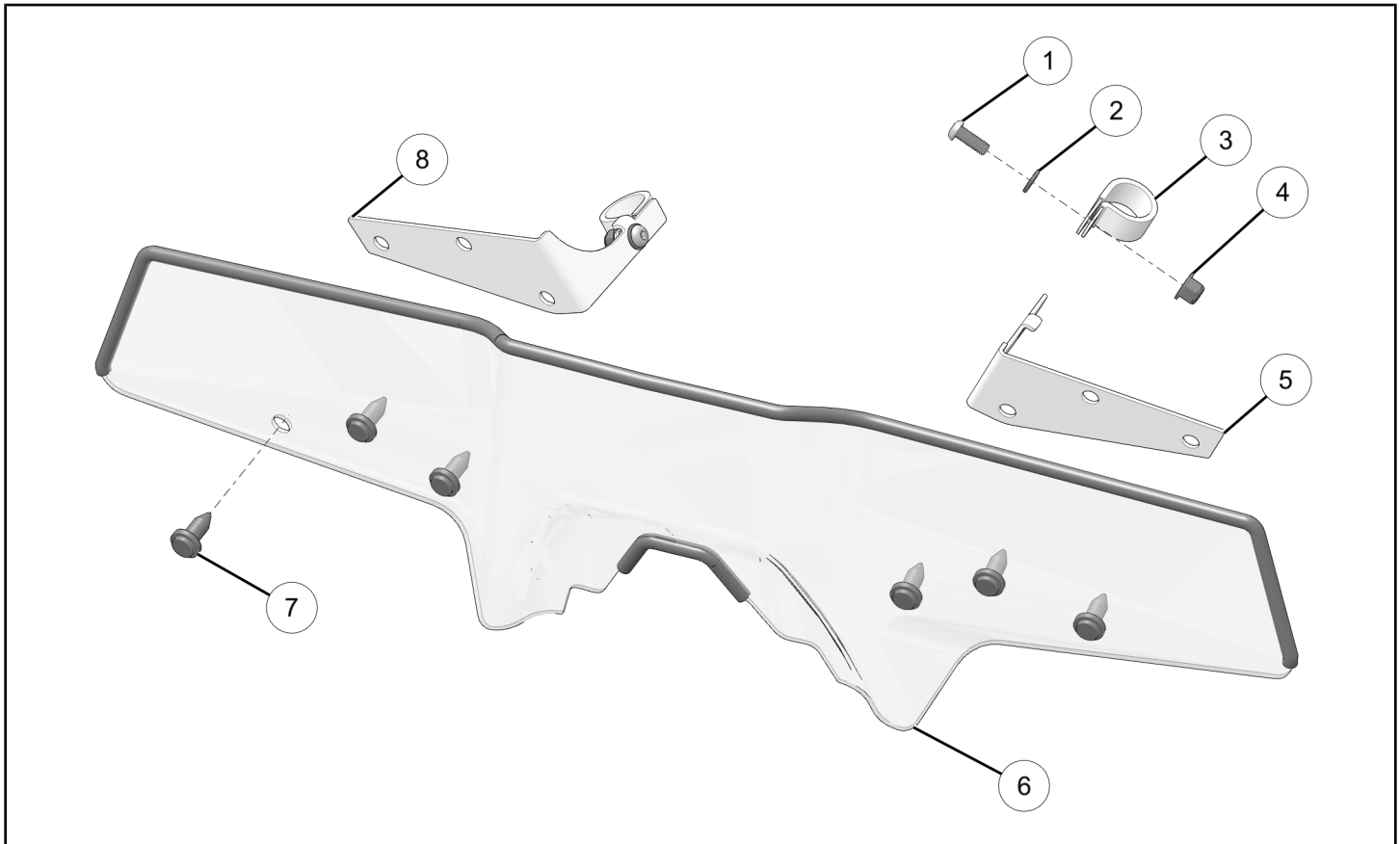
BEFORE YOU BEGIN

Read these instructions and check to be sure all parts and tools are accounted for. Please retain these installation instructions for future reference and parts ordering information.

APPLICATION

Verify accessory fitment at www.polaris.com.

KIT CONTENTS



REF	QTY	PART DESCRIPTION
1	2	Screw - Torx® Button Head, M6 x 1.0 x 16
2	2	Washer - 6.4 x 12.0 x 1.4
3	2	Handlebar Bracket
4	2	Nut - 6 mm x 1
5	1	Windshield Bracket, Left Side
6	1	Windshield
7	6	Push Pin Rivet
8	1	Windshield Bracket, Right Side

TOOLS REQUIRED

- Safety Glasses
- Socket Set, Metric
- Torque Wrench
- Wrench Set, Metric

IMPORTANT

Your Outlaw® 70 Windshield Kit is exclusively designed for your vehicle. Please read the installation instructions thoroughly before beginning. Installation is easier if the vehicle is clean and free of debris. For your safety, and to ensure a satisfactory installation, perform all installation steps correctly in the sequence shown.

INSTALLATION INSTRUCTIONS

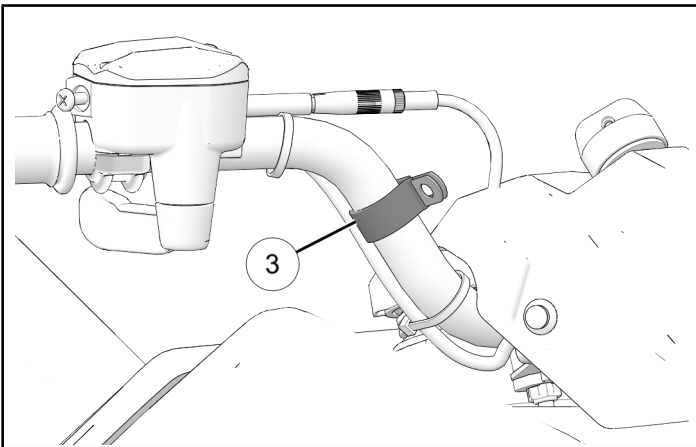
VEHICLE PREPARATION

GENERAL

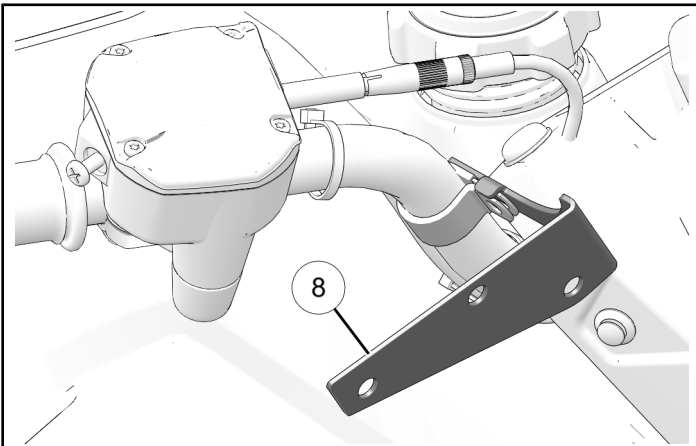
1. Park vehicle on a flat surface.
2. Push the engine stop switch to the OFF position.
3. Turn the key to the OFF position and remove key.

ACCESSORY INSTALLATION

1. Install right handlebar bracket ③. Make sure flat side of bracket is on inside of handlebar.

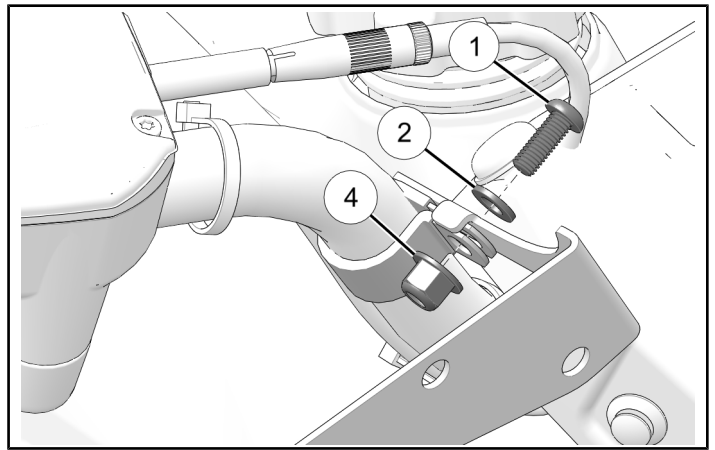


2. Install right windshield bracket ⑧ on inside of handlebar bracket.

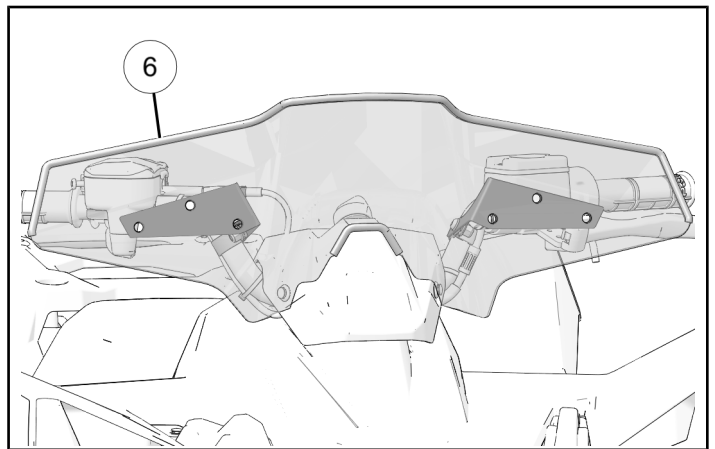


3. Insert screw ① through washer ② and both brackets. Loosely install nut ④.

Do not torque fasteners at this time.



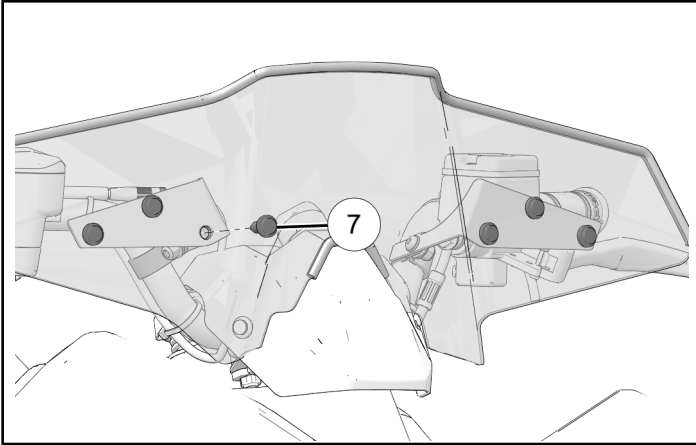
4. Repeat steps 1-3 on left hand side.
5. Align the windshield ⑥ with the three holes on each windshield bracket.



6. Install three push rivets ⑦ on each side to secure the windshield to the mounting brackets.

NOTICE

Adjust windshield for proper alignment, if necessary.



7. Torque two clamp screws ① to specification.

TORQUE

Clamp Screw ①:
84 in-lbs (9 N·m)

8. Operate all controls and turn handlebars from lock to lock to verify windshield does not interfere with brake or throttle mechanisms.

FEEDBACK FORM

A feedback form has been created for the installer to provide any comments, questions or concerns about the installation instructions. The form is viewable on mobile devices by scanning the QR code or by clicking [HERE](#) if viewing on a PC.

