

REAR COOLER KIT

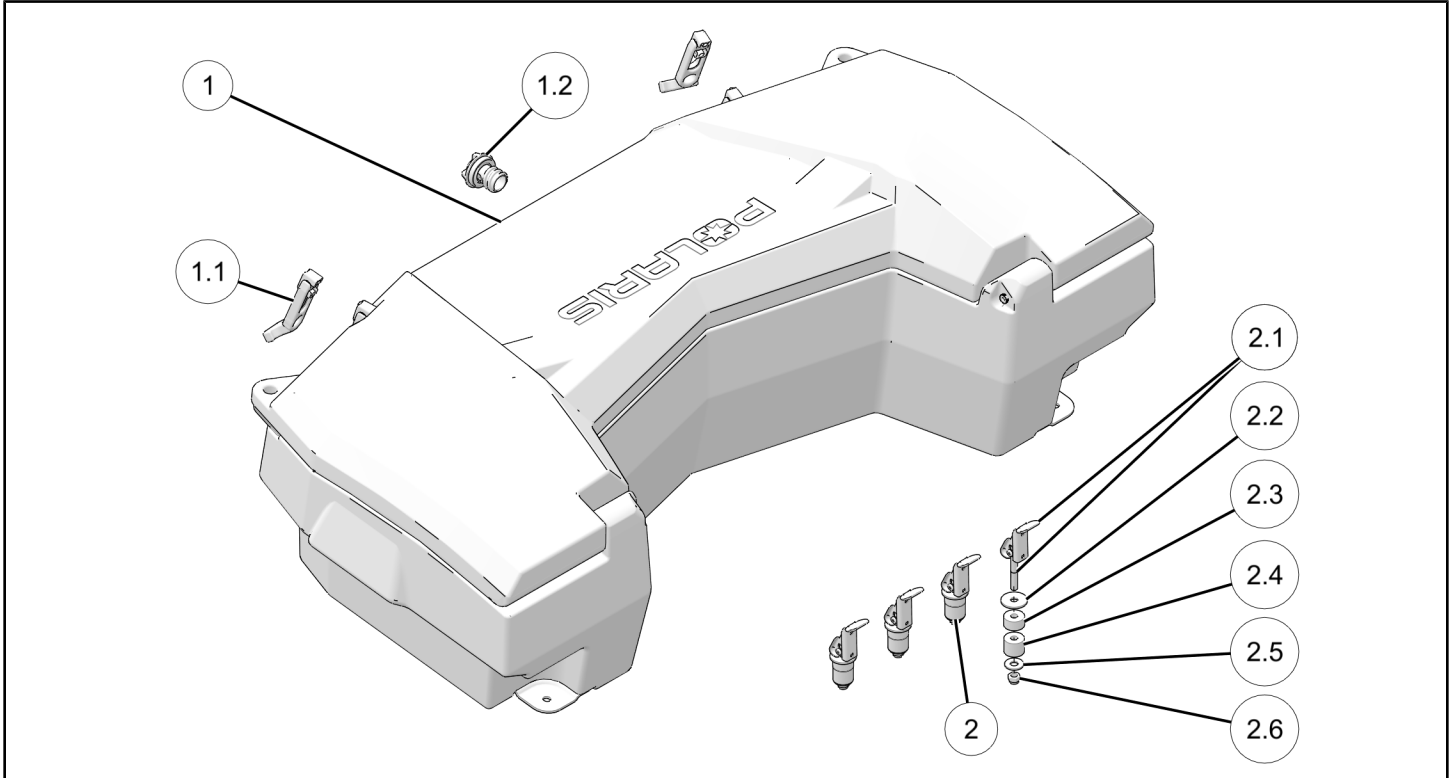


P/N 2884857

BEFORE YOU BEGIN

Read these instructions and check to be sure all parts and tools are accounted for. Please retain these installation instructions for future reference and parts ordering information.

KIT CONTENTS



REF	QTY	PART DESCRIPTION	P/N AVAILABLE SEPARATELY	AVAILABLE SERVICE KIT
1	1	Rear Cooler Assembly	N/A	N/A
1.1	2	- Rear Cooler Latches	N/A	2208780
1.2	1	- Rear Cooler Drain Plug	2636093	N/A
1.3	1	- Bottle Opener (not shown)	5271376	N/A
2	4	Lock & Ride® Anchor Assembly	2876420	2208780
2.1	1	- Lock & Ride® Anchor Handle / Shaft	N/A	2876420
2.2	1	- Lock & Ride® Anchor Plastic Washer	5437777	2876420
2.3	1	- Lock & Ride® Anchor Plastic Bushing	N/A	2876420
2.4	1	- Lock & Ride® Anchor Rubber Bushing	5413598	2876420
2.5	1	- Washer, .375 X .875 X .078	7558403	2876420
2.6	1	- Nut, 5/16-24, Nylon Locking	7547217	2876420

TOOLS REQUIRED

- Safety Glasses
- Socket Set, SAE

- Wrench Set, SAE

IMPORTANT

Your Rear Cooler Kit is exclusively designed for your vehicle. Please read the installation instructions thoroughly before beginning. Installation is easier if the vehicle is clean and free of debris. For your safety, and to ensure a satisfactory installation, perform all installation steps correctly in the sequence shown.

INSTALLATION INSTRUCTIONS

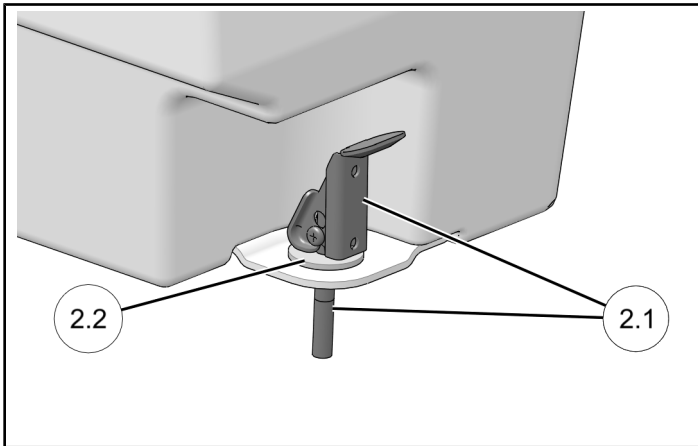
VEHICLE PREPARATION

GENERAL

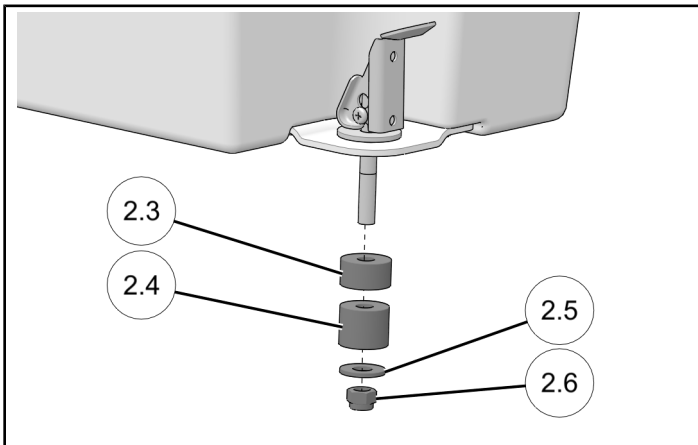
1. Park vehicle on a flat surface.
2. Push engine stop switch to the OFF position.
3. Turn key to the OFF position and remove key.

ACCESSORY INSTALLATION

1. Place the Lock & Ride® anchor handle/shaft assembly **2.1** and washer **2.2** in the pre drilled holes of the rear cooler mounting tab.



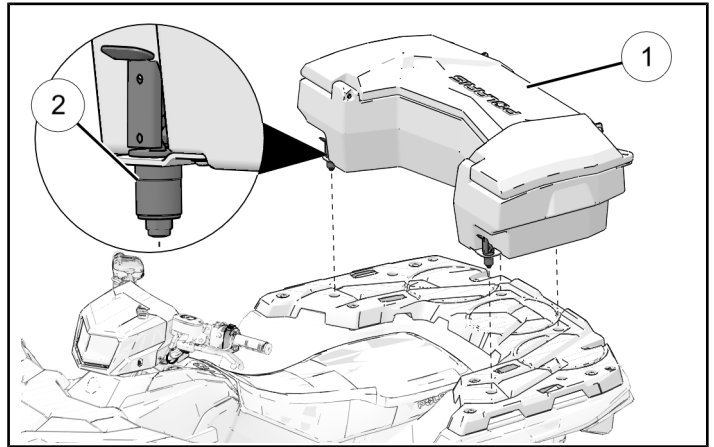
2. From the bottom side of the rear cooler mounting tab, install the Lock & Ride anchor plastic bushing **2.3**, rubber bushing **2.4**, washer **2.5**, and nut **2.6**. Tighten nut to desired tension.



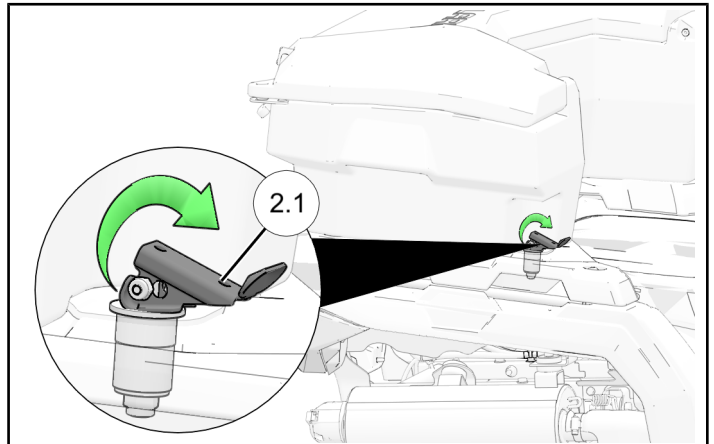
3. Repeat steps 1 and 2 for remaining Lock & Ride anchors.
4. Line up mounting holes on rear rack with the four Lock & Ride anchors **2** and place the rear cooler **1** onto the rear rack.

NOTICE

Make sure the Lock & Ride anchor handles are in the unlocked (vertical) position



5. Once in place, secure the rear cooler into position by rotating the Lock & Ride anchor handles **2.1** down into the locked (horizontal) position as seen in the image below.



INSTRUCTION FEEDBACK FORM

A feedback form has been created for the installer to provide any comments, questions or concerns about the installation instructions. The form is viewable on mobile devices by scanning the QR code or by clicking [HERE](#) if viewing on a PC.

