



## ATV TRAILERABLE COVER

PARTS LIST: 1 Trailerable cover 1 Tiedown assembly

**BE SURE THE MACHINE IS PROPERLY SECURED TO THE TRAILER PRIOR TO COVER INSTALLATION. ROLLING OF THE ATV WITH THE COVER INSTALLED WILL AFFECT THE FIT AND PERFORMANCE OF THE COVER!**

**NOTE:** This cover will not accomodate ATV's with significant modifications from the original shape, such as large rack extensions, rack bags, etc.

Prior to cover installation it is suggested to check the ATV for harmful objects that could cause cover damage, such as points or burrs on racks, broken plastic, studs, hot pipes, etc. It is also to be sure the machine is properly secured prior to cover installation.

### INSTALLATION INSTRUCTIONS-BE SURE TO INSTALL THE COVER IN THE ORDER SPECIFIED.

For the X-2 be sure the seat is in the downward position.

Loosen all straps. Drape the cover over the ATV aligning the handlebar section.

Pull the front of cover over rack and body molding.

Place the rear of the cover over the rear rack and over the taillight bar. For the touring cover with the seat in the downward position or removed, cinch the excess material over the area as seen in the photo tuck and tie the excess webbing as necessary.

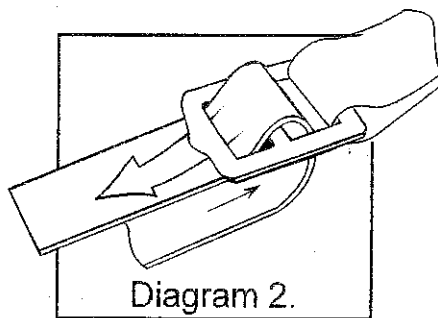
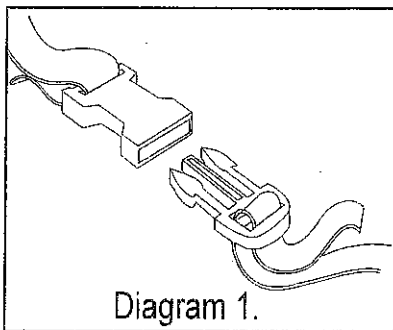
Pull excess material over footwells. Be sure the cover is pulled down as far as possible, the tighter the better.

Connect the webbing/buckle straps starting with the front. Be sure that the strap is fed under any tiedown straps that are connecting the ATV to the trailer, cinch tight by grabbing the center of the webbing and pulling backward 6-10" to gather any excess slack. Repeat for the rear webbing/buckle straps, connecting the buckles and cinching tight in the same manner. Periodically inspect and re-tension the straps as necessary.

Thread the male buckles to the webbing strap from the sub-assembly kit as seen in Diagram 1.

Feed the webbing/buckle strap from the sub-assembly kit under footwell, connect to the buckles sewn on the cover, and cinch tight, do so by pulling the excess webbing underneath the footwells. This will further tension the cover.

Thread the center webbing straps through the ladderlock buckles as seen in Diagram 2., cinch downward. This will aid in the reduction of buffeting during trailering.



**WARNING:** Do not trailer with the ATV installed sideways, the cover is designed to pull with the ATV facing forward, damage to the cover or the ATV may result. Check all connections during trailering and adjust accordingly.

**ON SOME MODELS:** Zippered gas cap access must be closed completely and secured with the velcro fasteners prior to trailering.

**WARRANTY:** Your new cover is guaranteed by Polaris against any defects in material and workmanship for one full year from the date of purchase. Should any problems arise, please contact your dealer. No warranty card is necessary. Damage resulting from exposure to direct sunlight cannot be warranted.