

# SPORTSMAN® XP PLOW MOUNT



**P/N 2883581**

## APPLICATION

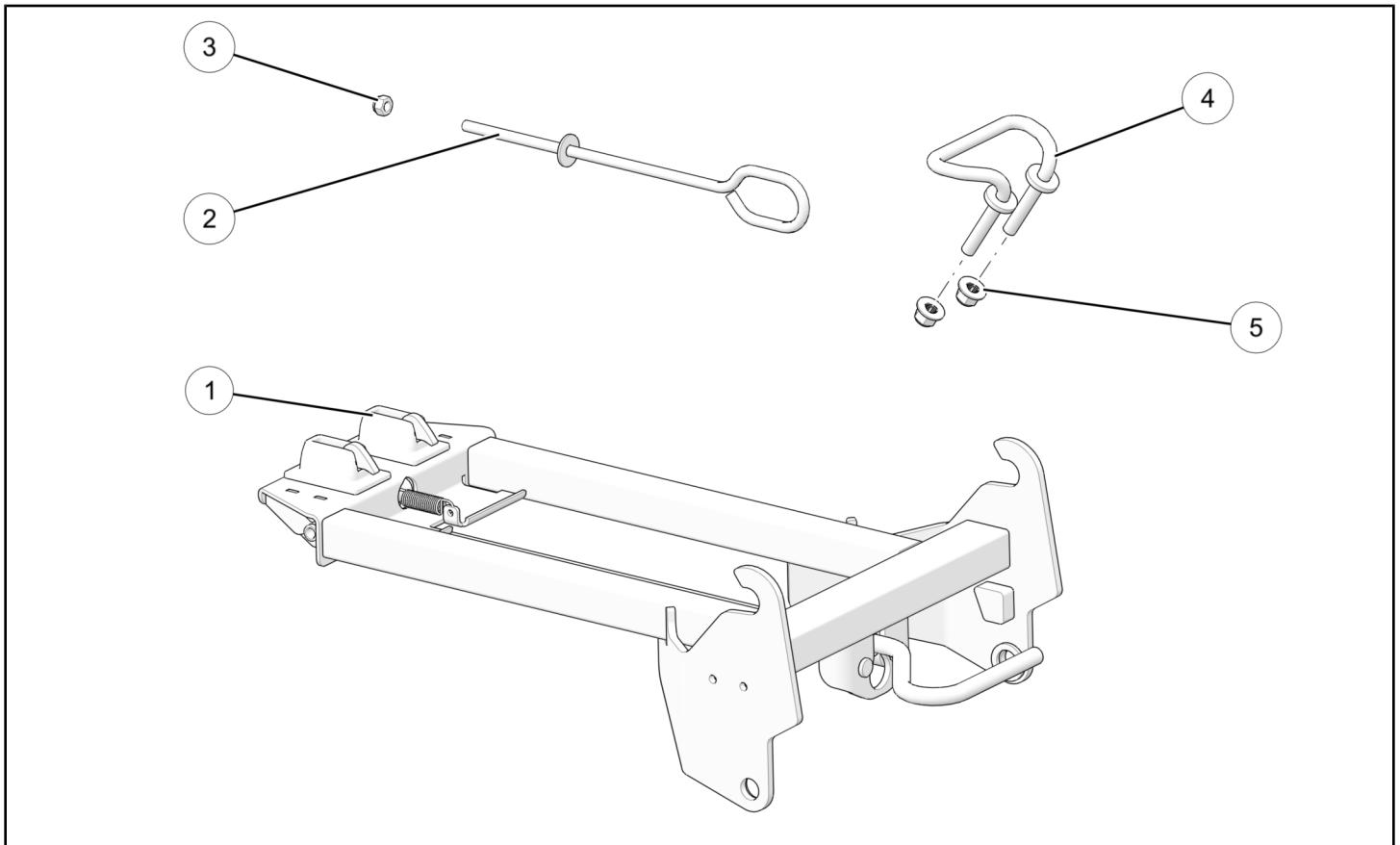
Verify accessory fitment at [Polaris.com](http://Polaris.com).

## BEFORE YOU BEGIN

Read these instructions and check to be sure all parts and tools are accounted for. Please retain these installation instructions for future reference and parts ordering information.

## KIT CONTENTS

**This Kit includes:**



REF	QTY	PART DESCRIPTION	PART NUMBER
1	1	Plow Mount	2883581
2	1	Winch Link	-
3	1	Locking Nut, Winch Link	-
4	1	Handle	-
5	2	Locking Nut, Handle	-
	1	Instructions	9929634

\* Additional service kits shown at the end of instructions.

## TOOLS REQUIRED

- Safety Glasses
- Socket Set, Metric
- Torque Wrench
- Wrench Set, Metric

## IMPORTANT

Your Sportsman® XP Plow Mount is exclusively designed for your vehicle. Please read the installation instructions thoroughly before beginning. Installation is easier if the vehicle is clean and free of debris. For your safety, and to ensure a satisfactory installation, perform all installation steps correctly in the sequence shown.

## ASSEMBLY TIME

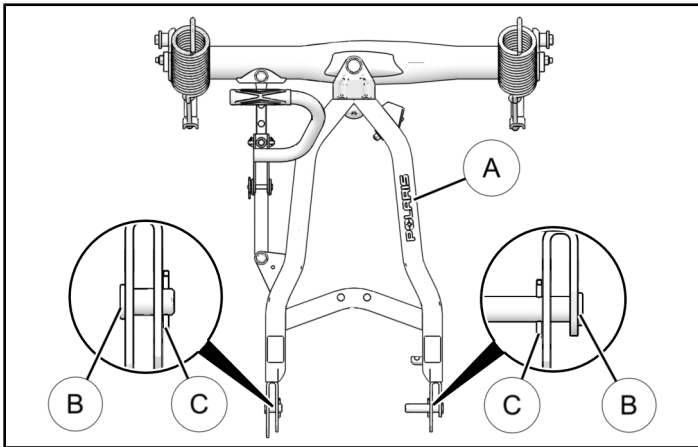
Approximately 24 minutes

### NOTE

Additional time may be required for optional steps, or to accommodate other installed accessories.

## INSTALLATION INSTRUCTIONS

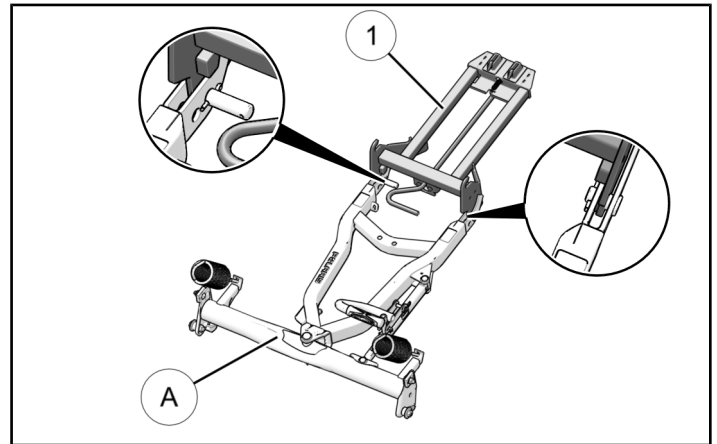
1. Remove the cotter pins **C** and then roll pins **B** from the plow frame **A**.



2. Assemble plow mount **1** to plow frame **A** using two roll pins, two washers and two cotter pins supplied in the plow frame kit as shown.

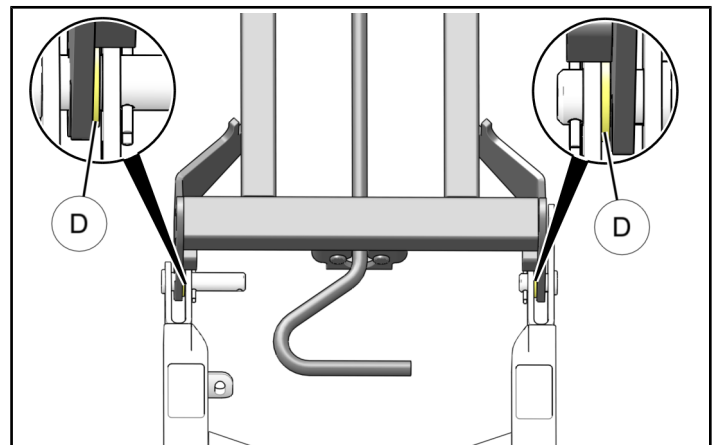
### NOTE

Roll pin at right side of the plow frame (as viewed from a riding position) is longer than the left side. Place cotter pin in hole nearest frame.



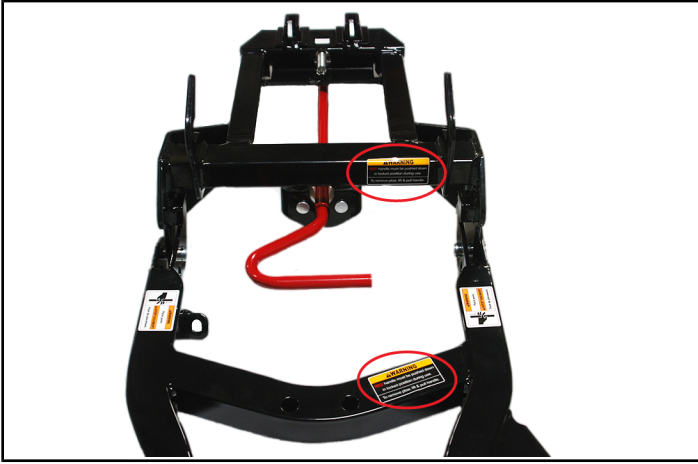
### NOTE

Insert washer **D** inside between the plow mount and frame on both sides as shown.

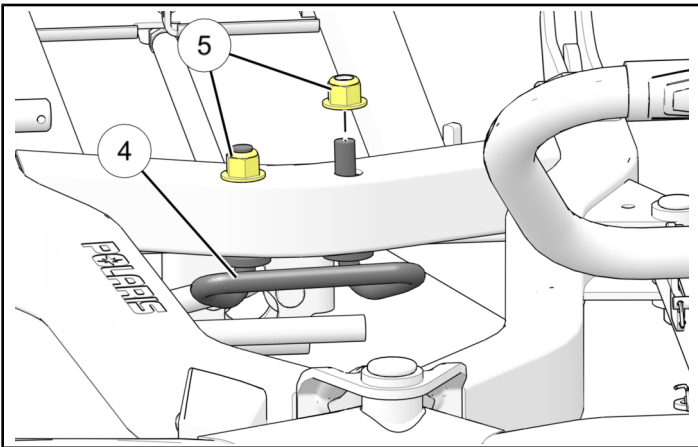


## IMPORTANT

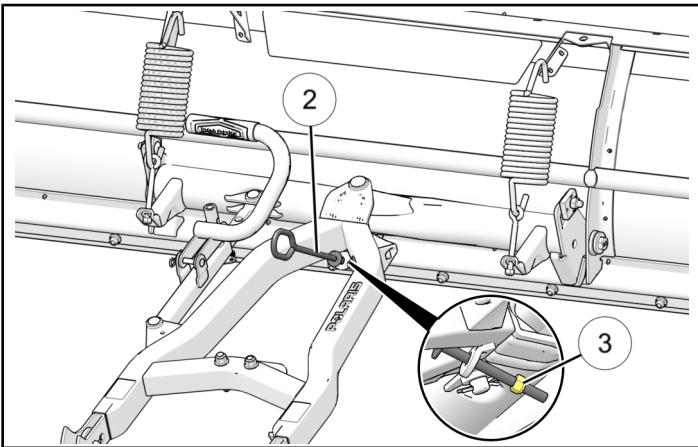
Your kit comes with two warning decals that must be placed in a visible location before installing onto the vehicle. See photos below for placement.



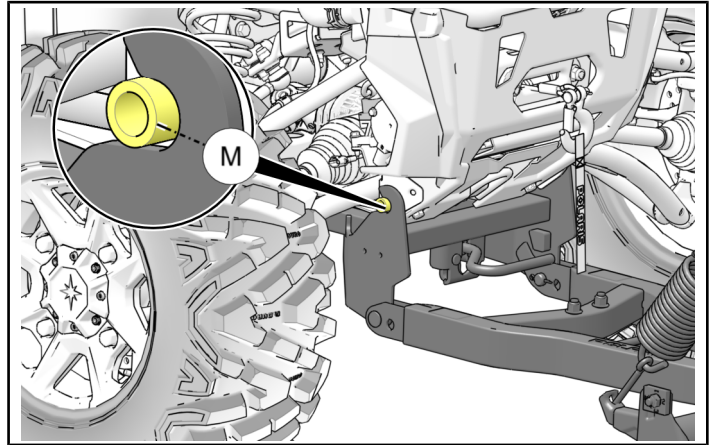
3. Install the lift handle ④ to the plow frame using the supplied locking nuts ⑤.



4. Install winch link ② to the plow frame using nut ③. Do not tighten the nut at this time.



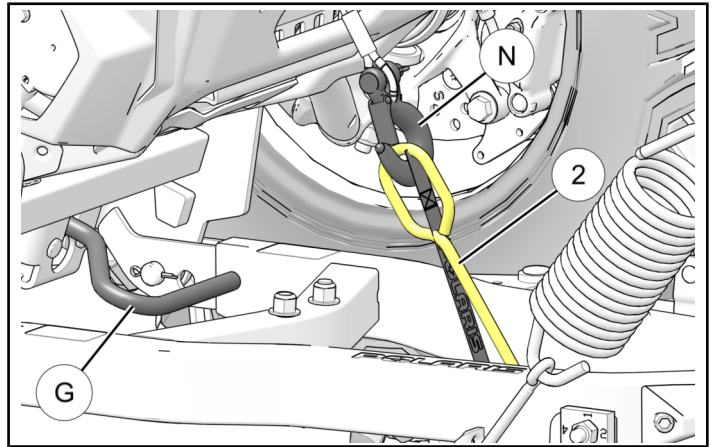
5. Place the plow mount assembly on to the front crossbar ① of the vehicle frame as shown.



6. Use the freespool knob on the winch to release winch cable and hook. Attach the winch hook ① to the winch link ②. Re-Engage winch by returning freespool knob to original position.

## NOTE

Make sure the locking handle ⑥ is in the unlocked (down) position.

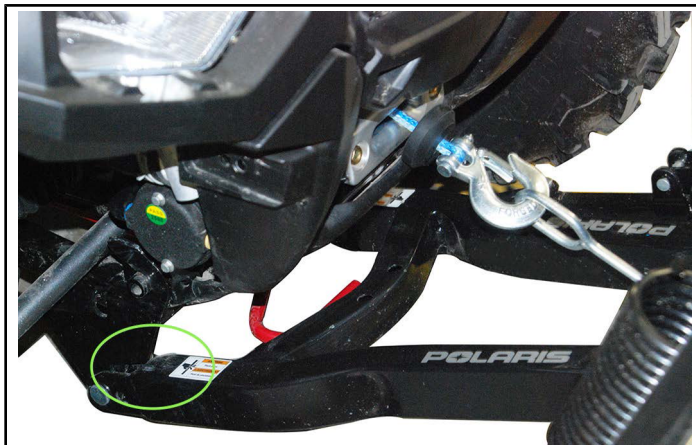
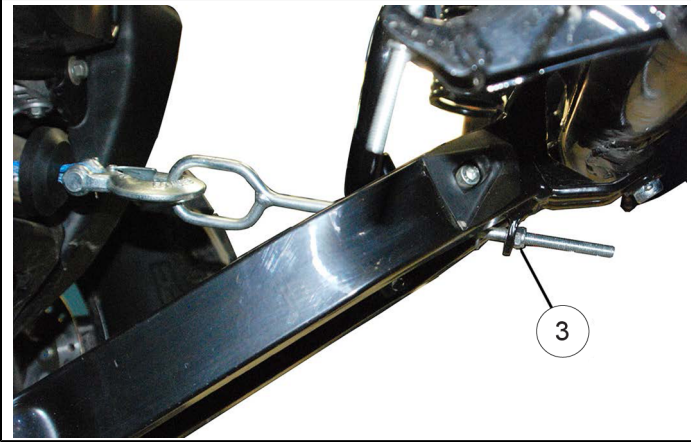


7. Lift the plow assembly by using winch switch on the handlebar. You should hear the plow "click" into place on the ATV frame. Continue to lift plow up using the winch until hook is nearly tight to fairlead. This will be the maximum height that the winch can lift the plow.

8. Tighten nut ③ on winch link until plow frame nearly contacts the plow mount. This contact point prevents the plow from rotating higher during use.

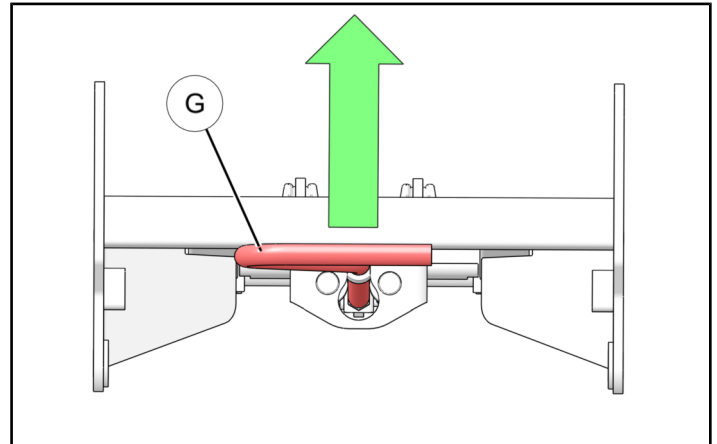
#### NOTE

Check winch hook and pivot contact point again to make sure that the winch does not attempt to lift the plow beyond its maximum intended travel.



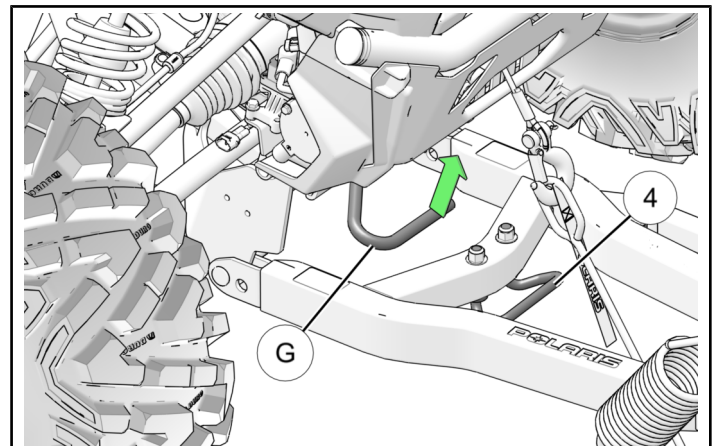
9. Pull the locking handle ⑥ UP TO LOCK the plow in place on the ATV frame.

The image below shows the **LOCKED** position.



#### ⚠ WARNING

You **MUST** lock the plow into place before operating vehicle. If plow is not locked in place, the plow could detach from the vehicle resulting serious injury to the operator.

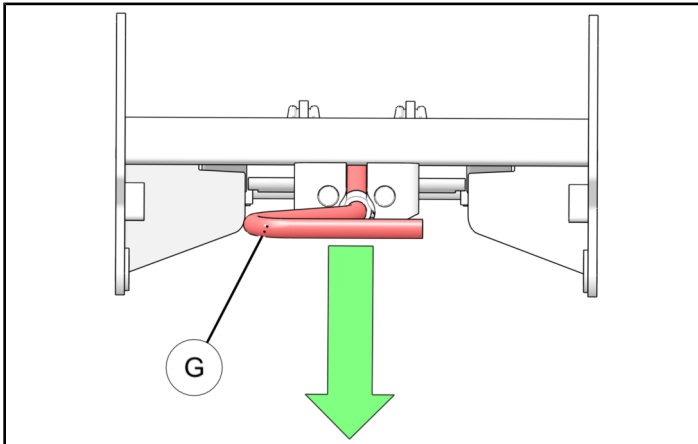


#### TO UNLOCK AND REMOVE THE PLOW ASSEMBLY

10. Lower the plow to the ground using the winch switch and continue to operate the winch cable out until there is enough slack on the winch cable to disconnect it from the plow.
11. Disconnect the winch cable from the plow.

12. Push down on the locking handle ⑥ to unlock the plow.

The image below shows the **UNLOCKED** position.



13. Pull the locking handle forward to release it from the vehicle and place the plow on the ground using plow frame lift handle ④.

**NOTE**

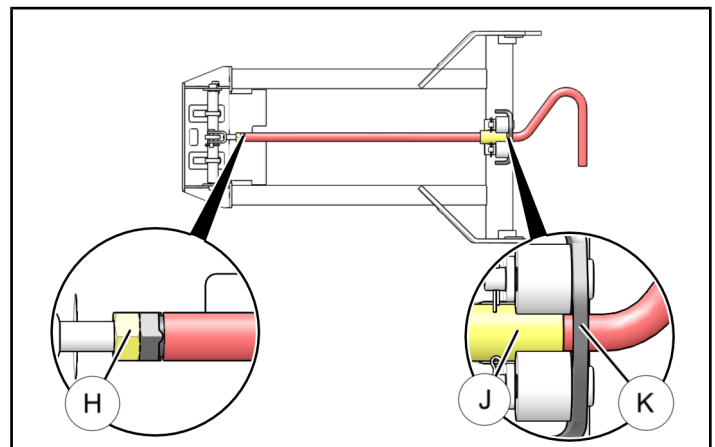
Make sure the plow is completely disconnected from the vehicle.

14. Using the winch switch, pull in any slack from the winch cable.

15. The red locking handle is adjustable to allow the lock mechanism to be adjusted to compensate for wear over time. To adjust the locking mechanism, loosen the lock nut ⑨ on the threaded shaft where it contacts the red handle as shown. Rotate the handle until proper adjustment is made, then retighten the lock nut ⑨. The recommended adjustment setting is to adjust the locking mechanism so that it completely latches but does not have any free play in it then turn the red handle back (counterclockwise) 1 full turn to give it approximately 1mm (.040") of free play between the bracket ⑩ and stop collar ⑪ seen below. It is recommended you perform this adjustment every 3 months of use.

**TORQUE**

8 ft. lbs. (10.85 Nm)

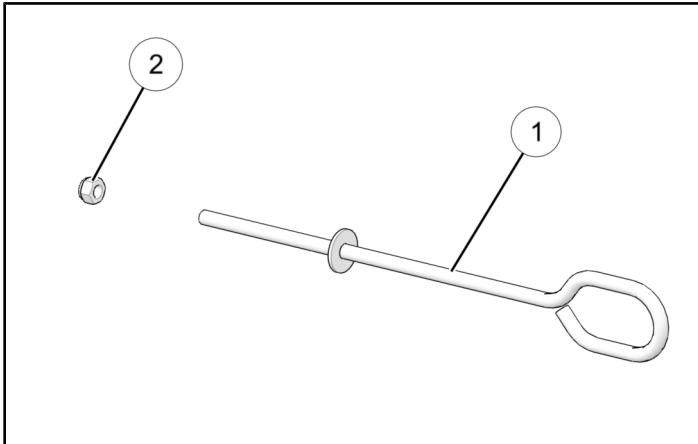


**⚠ WARNING**

You **MUST** complete the above step and adjust the locking mechanism before using the plow and periodically thereafter. Failure to do so could cause the plow to detach from the vehicle resulting in death or serious injury to the operator.

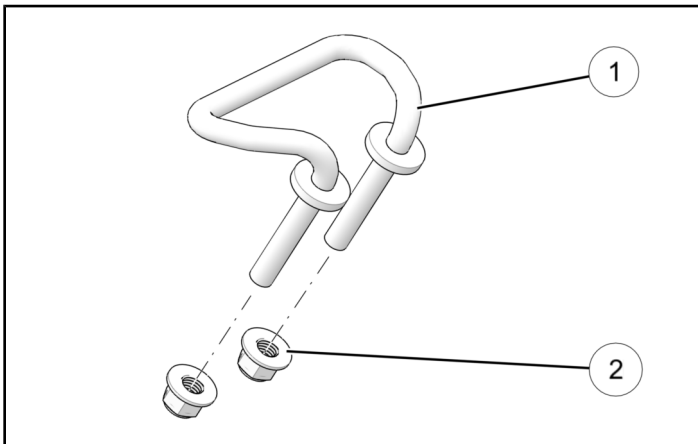
## SERVICE KITS

### Winch Link Kit: PN 2205384



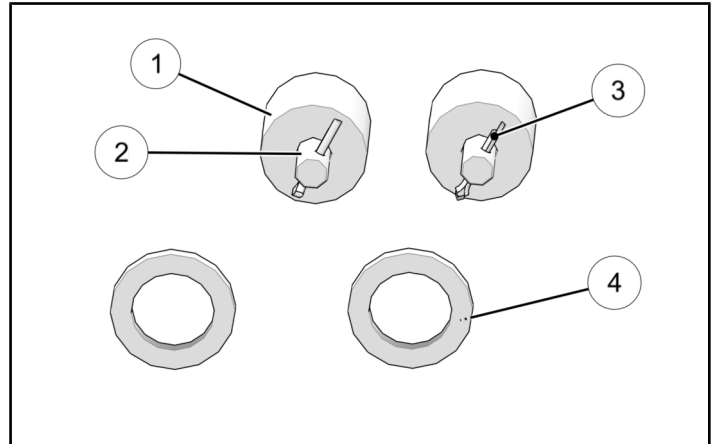
REF	QTY	PART DESCRIPTION
1	1	Winch Link
2	1	Nut, Locking

### Lift Handle Kit: PN 2206159



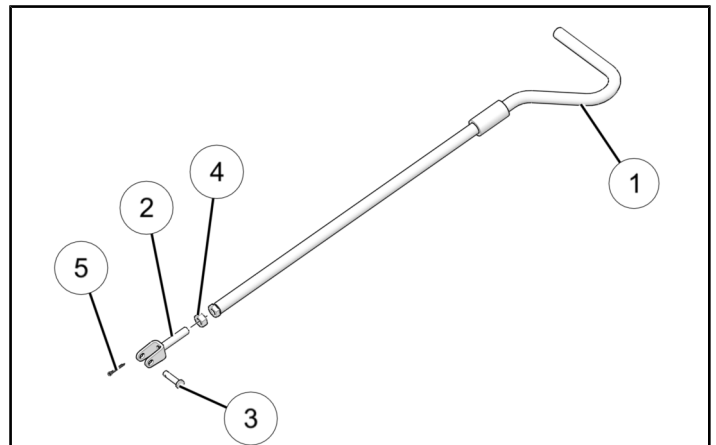
REF	QTY	PART DESCRIPTION
1	1	Lift Handle
2	1	Nut, Locking

### Squeeze Hardware Service Kit: PN 2206056



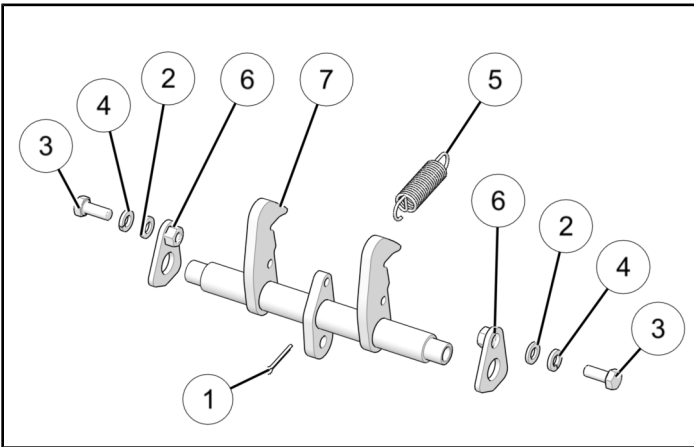
REF	QTY	PART DESCRIPTION
1	1	Spacer
2	1	Clevis Pin
3	1	Cotter Pin
4	2	Washer

### Service Handle Kit: PN 2208089



REF	QTY	PART DESCRIPTION
1	1	Handle
2	1	Rear Fork
3	1	Clevis Pin
4	1	Nut
5	1	Cotter Pin

## Latch Kit: PN 2208090



REF	QTY	PART DESCRIPTION
1	1	Cotter Pin
2	2	Flat Washer
3	2	Bolt
4	2	Lock Washer
5	1	Spring
6	2	Rear Skate Assembly
7	1	Hook Assembly

## FEEDBACK FORM

A feedback form has been created for the installer to provide any comments, questions or concerns about the installation instructions. The form is viewable on mobile devices by scanning the QR code or by clicking [HERE](#) if viewing on a PC.

### FEEDBACK FORM

