

SPORTSMAN® BASIC, HD, AND PRO HD WINCH KIT



P/N 2884832; 2884833; 2884834

BEFORE YOU BEGIN

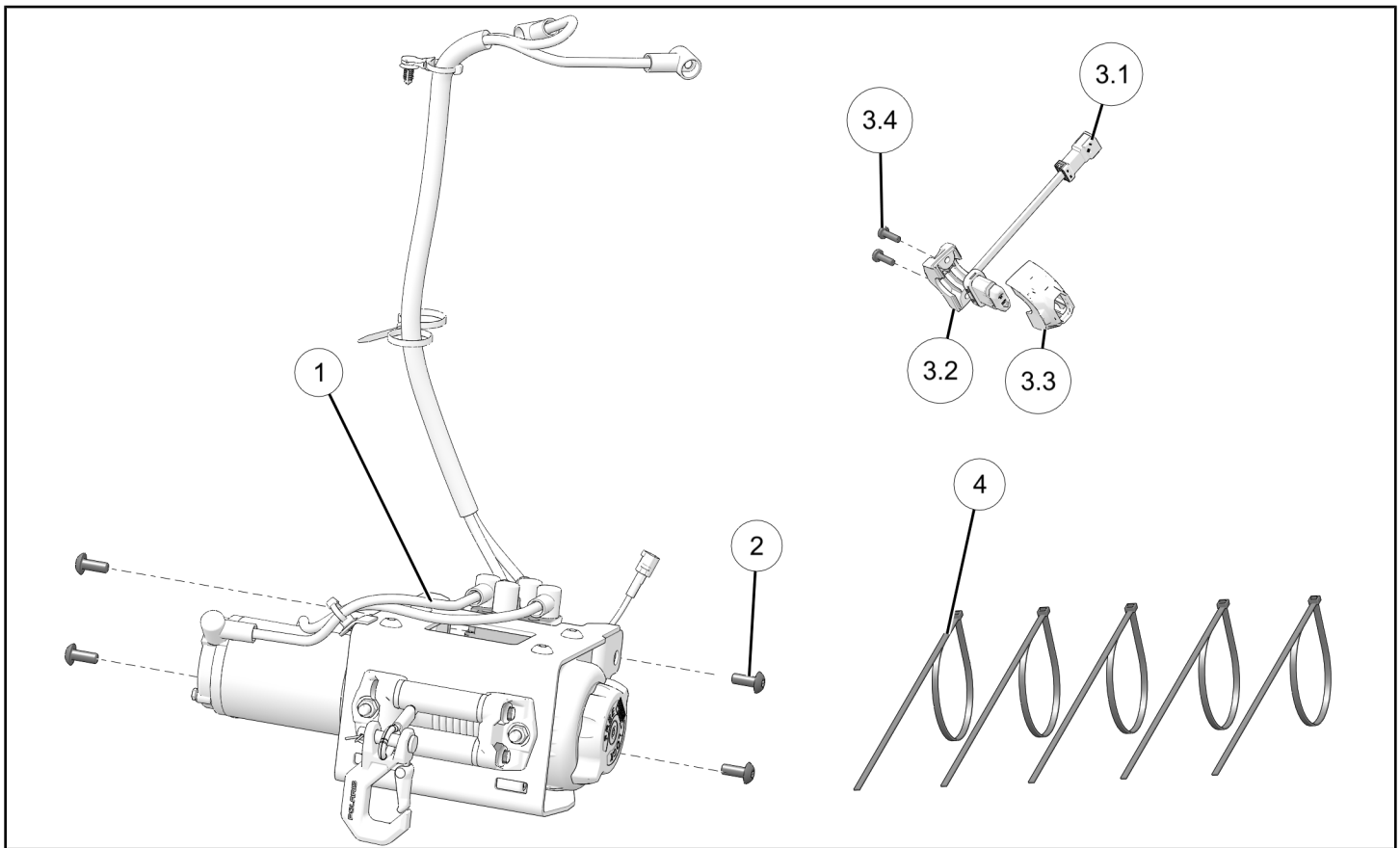
Read these instructions and check to be sure all parts and tools are accounted for. Please retain these installation instructions for future reference and parts ordering information.

APPLICATION

Verify accessory fitment at www.polaris.com.

KIT CONTENTS

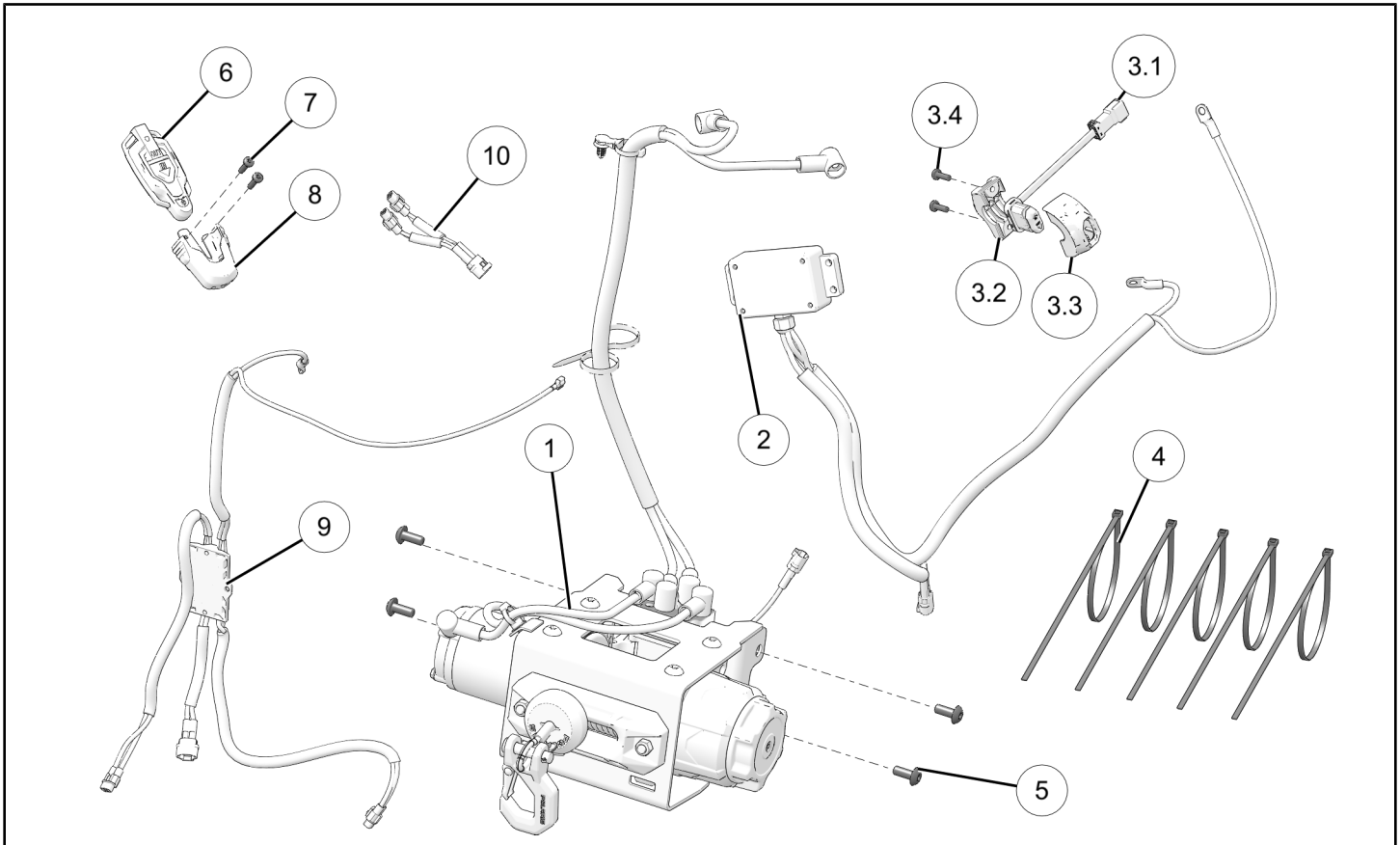
BASIC WINCH P/N 2884832; HD WINCH P/N 2884833 KIT CONTENTS



REF	QTY	PART DESCRIPTION	P/N AVAILABLE SEPARATELY	AVAILABLE SERVICE KIT
1	1	Assembly - Winch, 2500 lb, Basic (see winch detail) Assembly - Winch, 3500 lb, HD (see winch detail)	2638071 2638072	n/a
2	4	Screw - Torx® Truss Head, M8 x 1.25 x 20 mm	n/a	2208932
3.1	1	Switch	n/a	2207175
3.2	1	Switch Housing, Rear	n/a	2207175
3.3	1	Switch Housing, Front	n/a	2207175

REF	QTY	PART DESCRIPTION	P/N AVAILABLE SEPARATELY	AVAILABLE SERVICE KIT
3.4	2	Screw - Torx® Pan Head, 10 x 5/8 in, HI/LO	n/a	2207175
4	5	Cable Tie	n/a	2208932

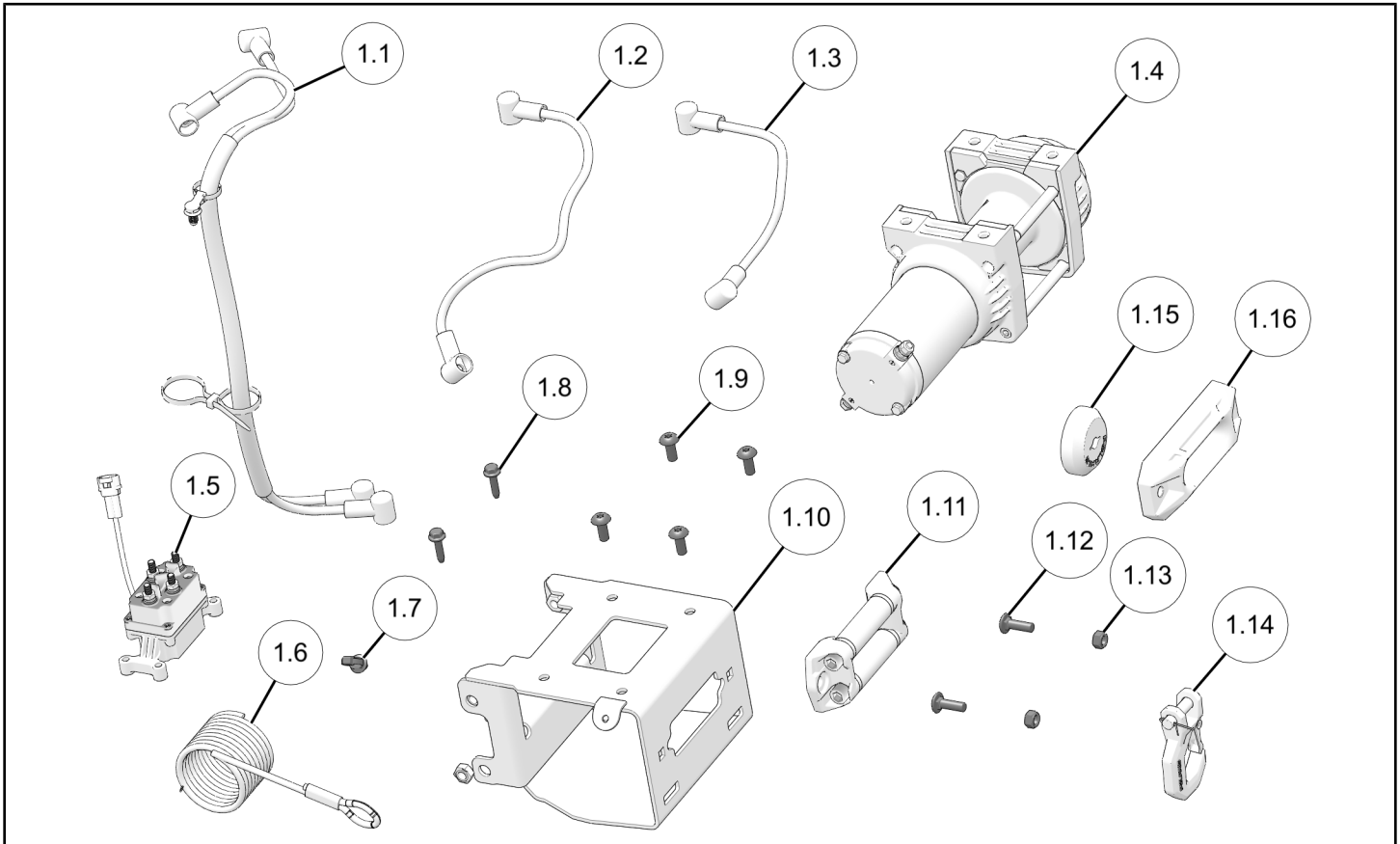
PRO HD WINCH P/N 2884834 KIT CONTENTS



REF	QTY	PART DESCRIPTION	P/N AVAILABLE SEPARATELY	AVAILABLE SERVICE KIT
1	1	Assembly - Winch, 3500 lb., Pro (see winch detail)	2638073	n/a
2	1	Receiver - Wireless	n/a	2879316
3.1	1	Switch	n/a	2207175
3.2	1	Switch Housing, Rear	n/a	2207175
3.3	1	Switch Housing, Front	n/a	2207175
3.4	2	Screw - Torx® Pan Head, 10 x 5/8 in, HI/LO	n/a	2207175
4	5	Cable Tie	n/a	2208932
5	4	Screw - Torx® Truss Head, M8 x 1.25 x 20 mm	n/a	2208932
6	1	Remote - Wireless	n/a	2879316
7	2	Screw - Torx® Pan Head, 10 x 3/4 in, HI/LO	n/a	2208932 2879316
8	1	Holder - Remote	n/a	2879316

REF	QTY	PART DESCRIPTION	P/N AVAILABLE SEPARATELY	AVAILABLE SERVICE KIT
9	1	Control Box - Fairlead	n/a	2889253
10	1	Harness - 4, Wireless Remote	n/a	2879316

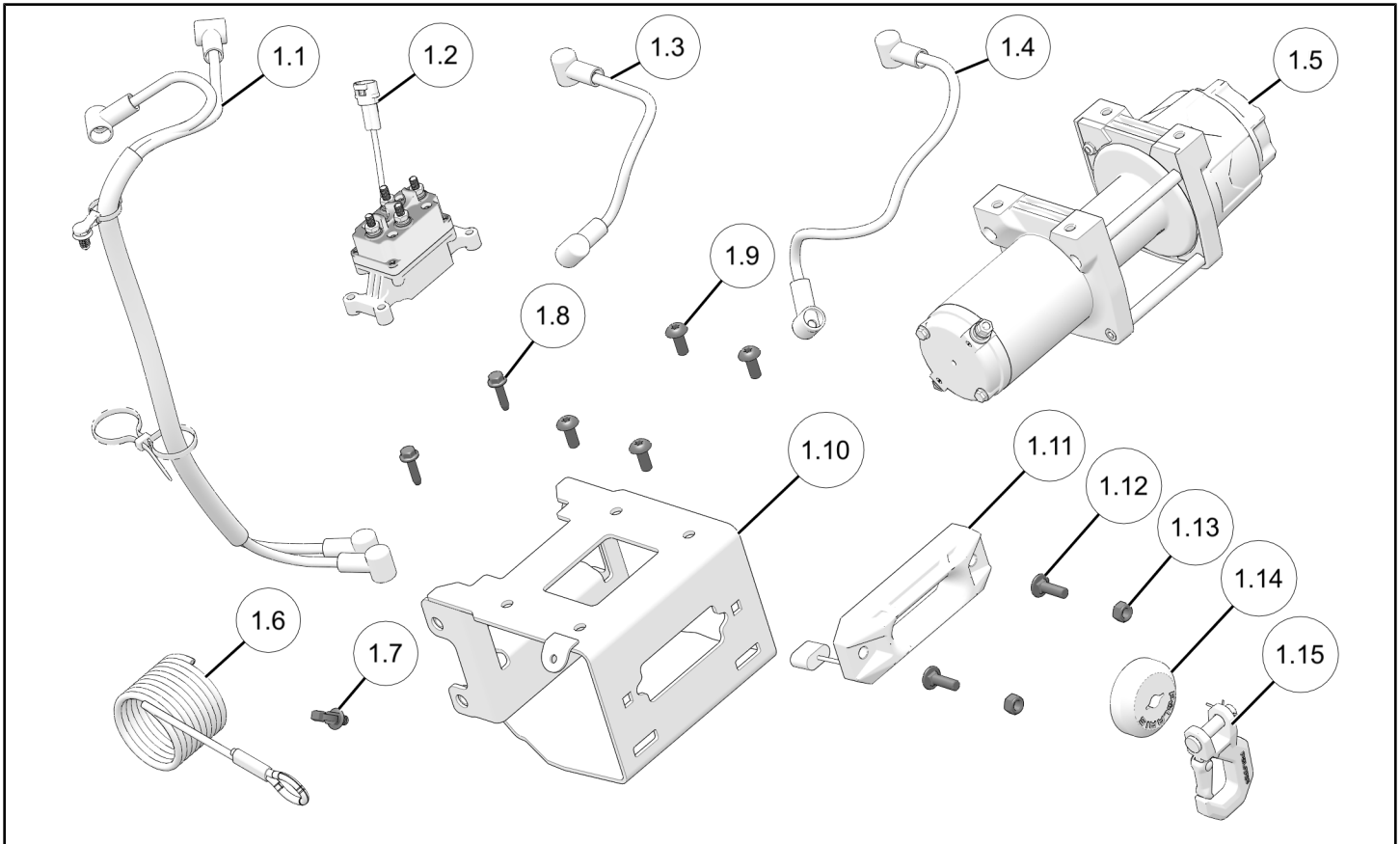
BASIC WINCH P/N 2884832; HD WINCH P/N 2884833 WINCH DETAIL



REF	QTY	PART DESCRIPTION	P/N AVAILABLE SEPARATELY	AVAILABLE SERVICE KIT
1.1	1	Assembly - Winch Harness	2415675	n/a
1.2	1	Winch Cable, Blue 6 GA, 410 mm	4013469-410	n/a
1.3	1	Winch Cable, Yellow 6 GA, 300 mm	4013468-300	n/a
1.4	1	Winch, 2500 lb, BT (2884832 only) Winch, 3500 lb, BT (2884833 only)	2206563 2206562	n/a
1.5	1	Winch Contactor	4015095	n/a
1.6	1	Winch Cable, Steel, 3/16 in (2884832 only) Winch Rope, Synthetic 50 ft (2884833 only)	2878890 2878888	n/a
1.7	1	Routing Clip	7081496	n/a
1.8	2	Screw - Hex Head Flange, M6 x 1.0 x 25 mm	n/a	2208932
1.9	4	Screw - Torx® Truss Head, M8 x 1.25 x 20 mm	n/a	2208932
1.10	1	Weld - Bracket, Winch Mount	n/a	n/a
1.11	1	Assembly - Fairlead, Roller, LowPro (2884832 only)	2638130	n/a

REF	QTY	PART DESCRIPTION	P/N AVAILABLE SEPARATELY	AVAILABLE SERVICE KIT
1.12	2	Bolt - Carriage, Round Head, M8 x 1.25 x 25 mm	n/a	2208932
1.13	2	Nut - Nylock, M8 x 1.25 mm	n/a	2208932
1.14	1	Hook - Latch, Winch	5910705	n/a
1.15	1	Stop-Bumper (2884833 only)	5416562	n/a
1.16	1	Fairlead (2884833 only)	5143231	n/a

PRO HD WINCH P/N 2884834 WINCH DETAIL



REF	QTY	PART DESCRIPTION	P/N AVAILABLE SEPARATELY	AVAILABLE SERVICE KIT
1.1	1	Assembly - Winch Harness	2415675	n/a
1.2	1	Winch Contactor	4015095	n/a
1.3	1	Winch Cable, Blue 6 GA, 410 mm	4013469-410	n/a
1.4	1	Winch Cable, Yellow 6 GA, 300 mm	4013468-300	n/a
1.5	1	Winch 3500 lb, Dual Speed	2206383	n/a
1.6	1	Winch Rope, Synthetic 50 ft	2878888	n/a
1.7	1	Routing Clip	7081496	n/a
1.8	2	Screw - Hex Head Flange, M6 x 1.0 x 25 mm	n/a	2208932
1.9	4	Screw - Torx® Truss Head, M8 x 1.25 x 20 mm	n/a	2208932

REF	QTY	PART DESCRIPTION	P/N AVAILABLE SEPARATELY	AVAILABLE SERVICE KIT
1.10	1	Weld - Bracket, Winch Mount	n/a	n/a
1.11	1	Assembly - Fairlead	n/a	2889253
1.12	2	Bolt - Carriage, Round Head, M8 x 1.25 x 25 mm	n/a	2208932
1.13	2	Nut - Nylock, M8 x 1.25 mm	n/a	2208932
1.14	1	Stop - Magnet Bumper V2	5415787	2889253
1.15	1	Hook Latch, Winch	5910705	n/a

TOOLS REQUIRED

- Safety Glasses
- Pliers, Push Pin Rivet
- Pliers, Side Cutting
- Socket Set with extension, Torx® Bit
- Torque Wrench
- Wrench Set, Metric

IMPORTANT

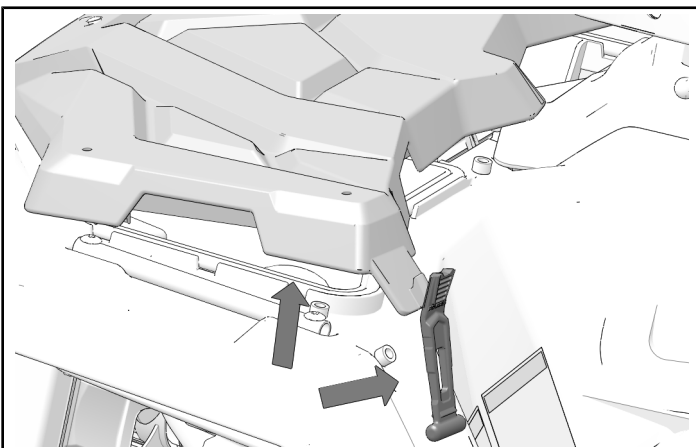
Your Sportsman® Basic, HD, and Pro HD Winch Kit is exclusively designed for your vehicle. Please read the installation instructions thoroughly before beginning. Installation is easier if the vehicle is clean and free of debris. For your safety, and to ensure a satisfactory installation, perform all installation steps correctly in the sequence shown.

INSTALLATION INSTRUCTIONS

VEHICLE PREPARATION

GENERAL

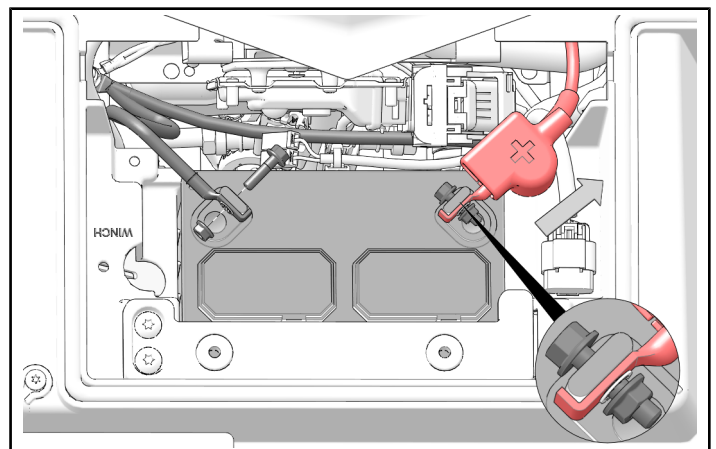
1. Park vehicle on a flat surface.
2. Push engine stop switch to OFF position.
3. Turn key to OFF position and remove key.
4. Release rubber latch on both sides and open front rack.



5. Remove nut from black negative battery cable and disconnect negative battery cable. Move boot off red positive battery cable. Remove nut from red positive battery cable and disconnect positive battery cable.

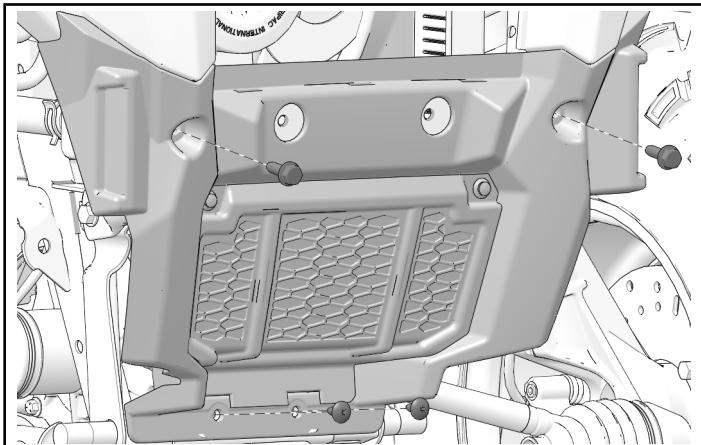
⚠ WARNING

Always disconnect black negative (-) cable from battery FIRST. Failure to do so will result in high current electrical arc and may result in battery explosion if tool touches grounded frame. Death or serious personal injury may occur.

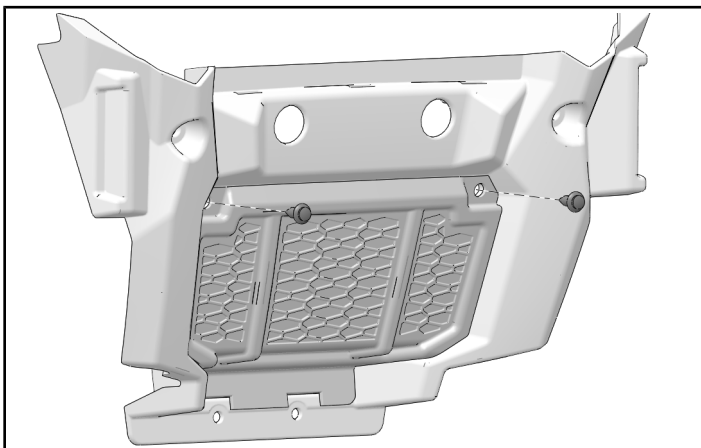


6. Remove accessory front brushguard from vehicle, if equipped.

- Remove and keep four bolts from lower front bumper cover. Remove lower front bumper cover.



- Remove two push pin rivets from panel on front bumper cover. Remove panel.



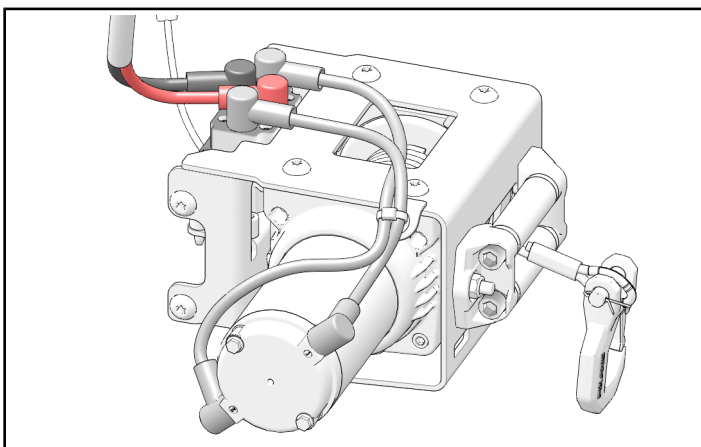
ACCESSORY INSTALLATION

WINCH INSTALLATION FOR 2884832; 2884833; 2884834

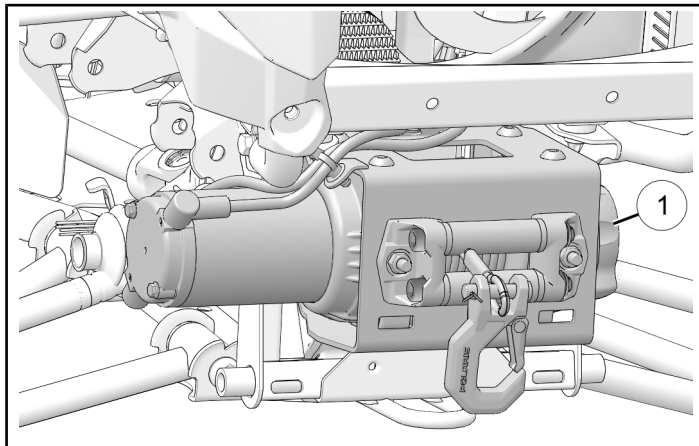
NOTICE

2884832 shown

- Make sure wire routing and connections are as shown and make necessary adjustments.



- Put red and black wires through the opening where the winch will go. Move winch ① onto radiator mount.



- Install two screws ⑤ on each side to attach winch. Make sure all wires are free to move and not pinched between vehicle chassis and winch assembly. Torque to specification.

NOTICE

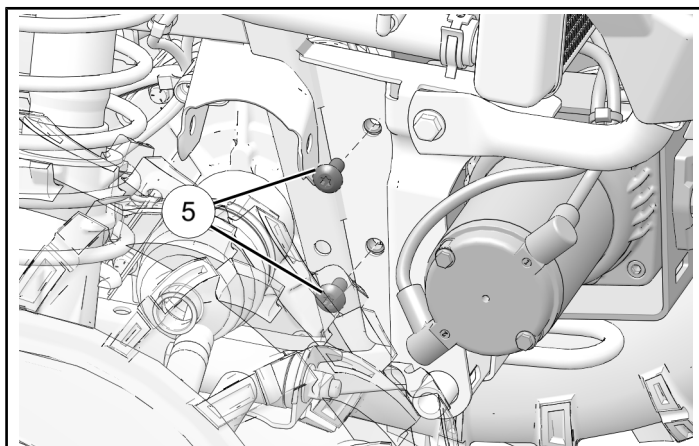
Left side shown, right side similar.

NOTICE

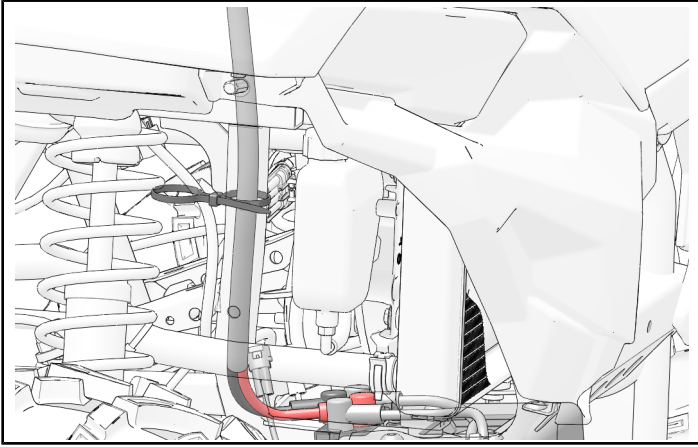
On models with strut front suspension, use front set of holes for mounting winch.

TORQUE

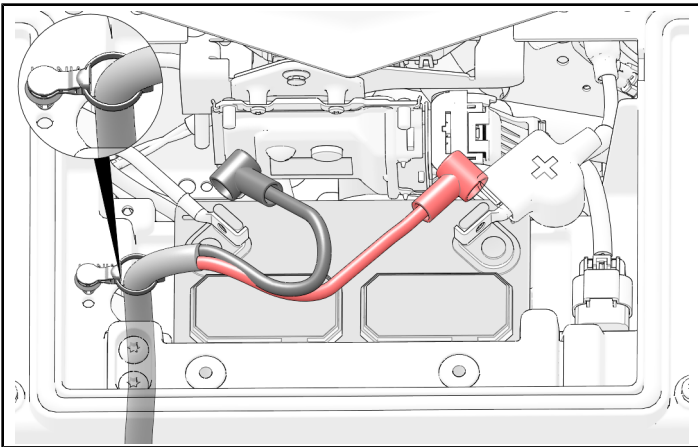
Winch Mounting Screws ⑤:
20 ft-lbs (27 N·m)



- Put the red and black wire harness up the vehicle frame behind radiator and through opening in body panel on negative side of battery. Attach winch harness to the main vehicle frame about halfway between winch and body panel with double cable tie attached to wire harness

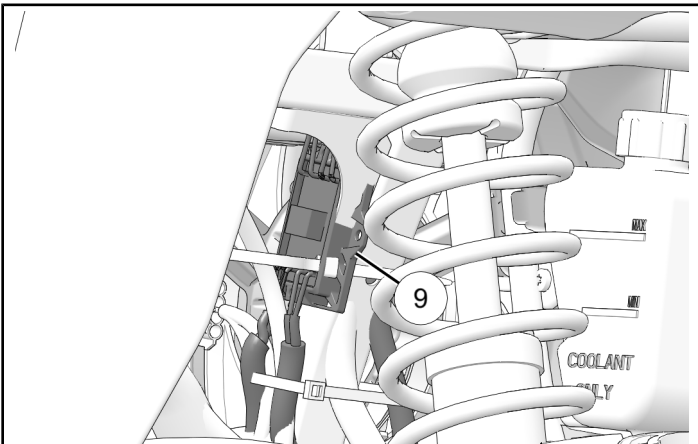


- Clip winch wire harness to hole next to opening in the body panel.

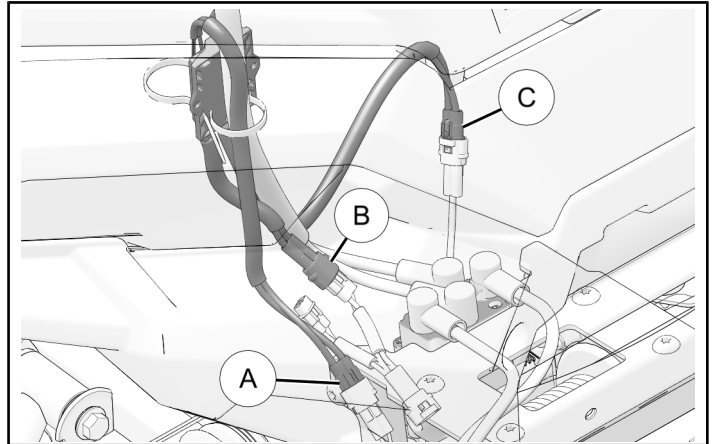


CONTROL BOX INSTALLATION FOR 2884834

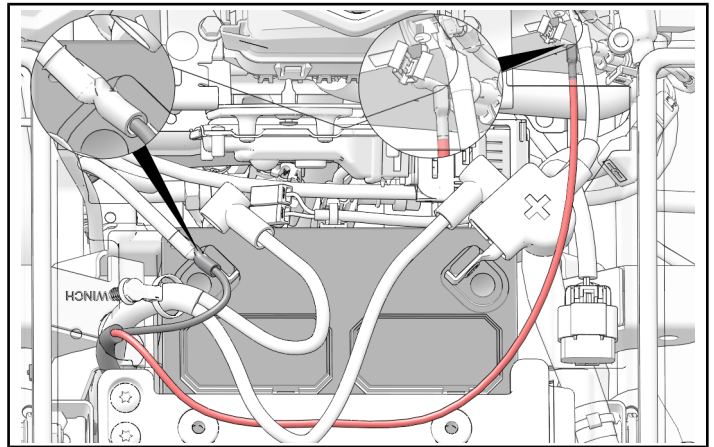
- Put control box ⑨ on the right hand side of the vehicle behind the radiator and cable tie to the winch wire harness that goes up to the battery.



- Connect longest white female control box connector (A) to Autostop fairlead. Connect white male connector (B) to the Y harness. Connect white female connector (C) to the contactor.

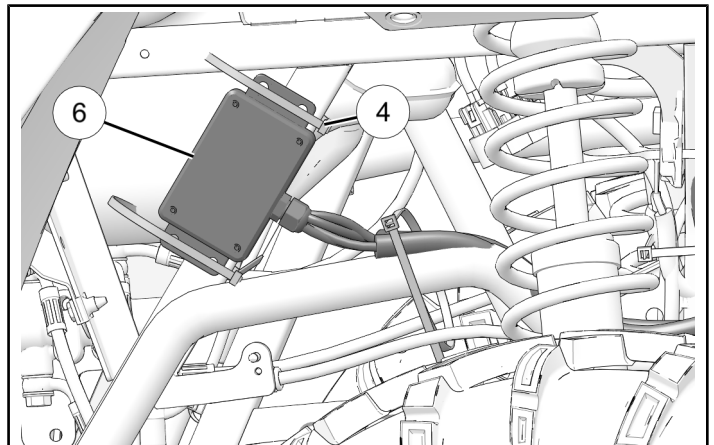


- Put power wires for the Autostop control to battery area and connect orange wire to orange wire on the vehicle's main wire harness. Put black wires from control box to black (ground) terminal area. **DO NOT CONNECT AT THIS TIME.**

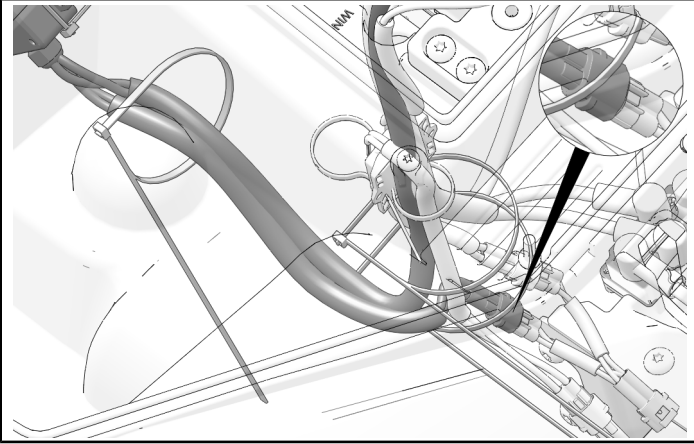


WIRELESS REMOTE RECEIVER INSTALLATION FOR 2884834

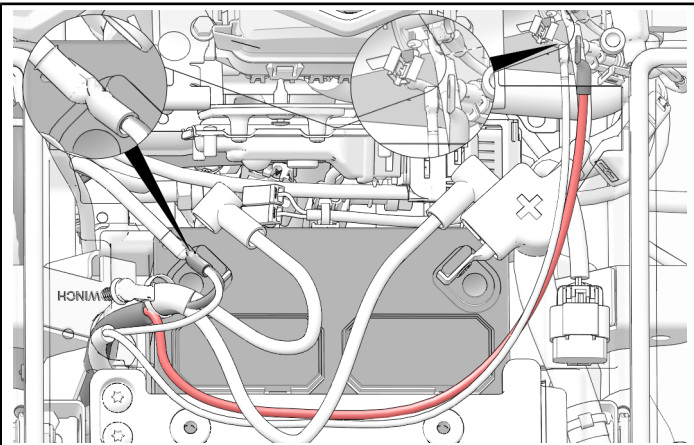
- Install wireless remote box ⑥ onto cab support bracket using two cable ties ④. Bundle cables with one cable tie as shown.



2. Connect white electrical connector to Y harness. Connect Y harness to main wire harness connector.



3. Put power wires for remote receiver to battery area and connect orange wire to orange wire on vehicle main harness. Put black wires from remote receiver to black terminal area. **DO NOT CONNECT AT THIS TIME.**



HANDLEBAR SWITCH INSTALLATION

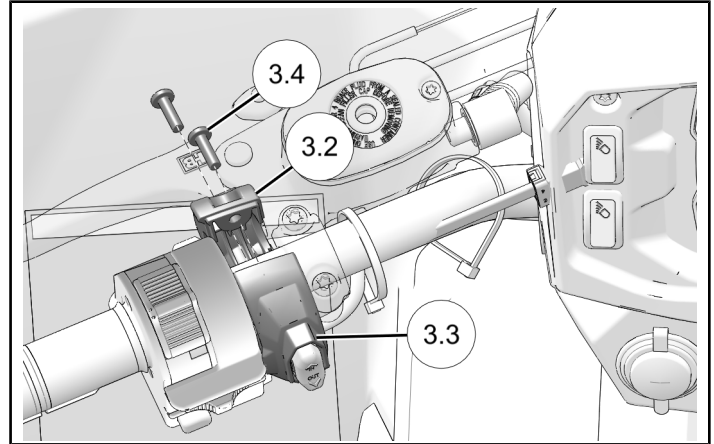
1. Install handlebar switch front **3.3** and switch rear **3.2** to handlebar with two screws **3.4** Torque to specification.

NOTICE

Handlebar switch fits in between the main controls and the brake mount.

TORQUE

Handlebar Screw **3.4**:
24 in-lbs (2.7 N-m)



2. Connect handlebar switch connector to vehicle main wire harness.

NOTICE

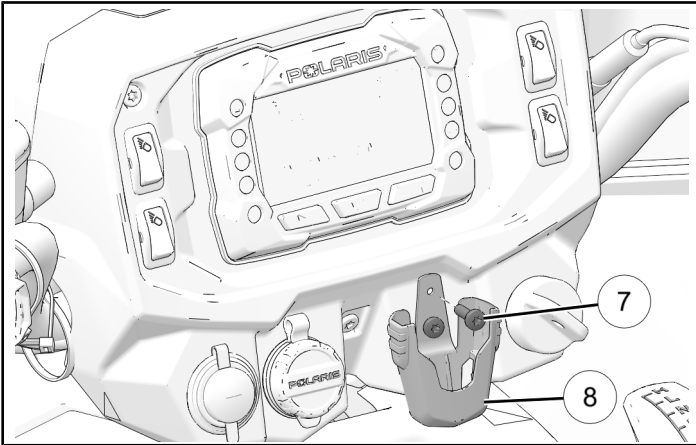
Vehicle main wire harness connector is either attached to the handlebars where it can be seen or will be inside the headlight pod where it cannot be seen. The cap on the vehicle connector must be removed.

WIRELESS REMOTE HOLDER INSTALLATION

1. Install wireless remote holder ⑧ with two screws ⑦.

TIP

Location shown is a suggestion, wireless remote holder may be installed in other locations. Make sure no fuel or electrical connections are at risk of being contacted by the mounting screws.



VEHICLE REASSEMBLY

GENERAL

1. Make sure there are no exposed wires or terminals. Tightly bind all loose wires and attach away from moving parts and heat sources.

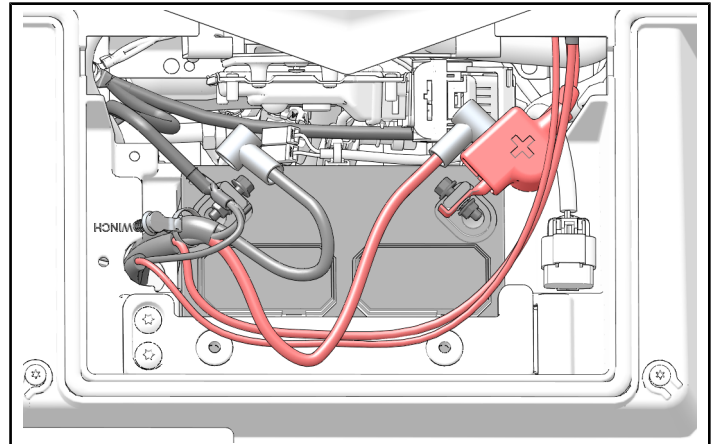
2. Connect all red (positive) wires to the positive battery terminal. Connect all black (negative) wires to the negative battery terminal.

TIP

Put the winch wire through the opening in the electrical boot that covers the main vehicle power wire.

TORQUE

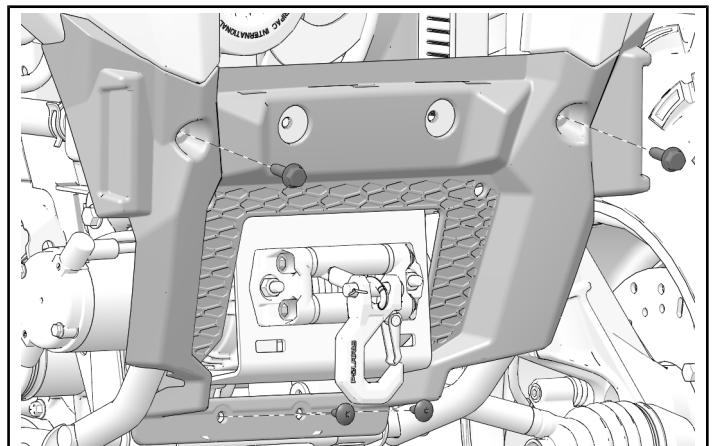
Battery Bolt:
60 in-lbs (6 N·m)



3. Install front bumper cover with four fasteners. Tighten lower fasteners until seated. Torque upper fasteners to specification.

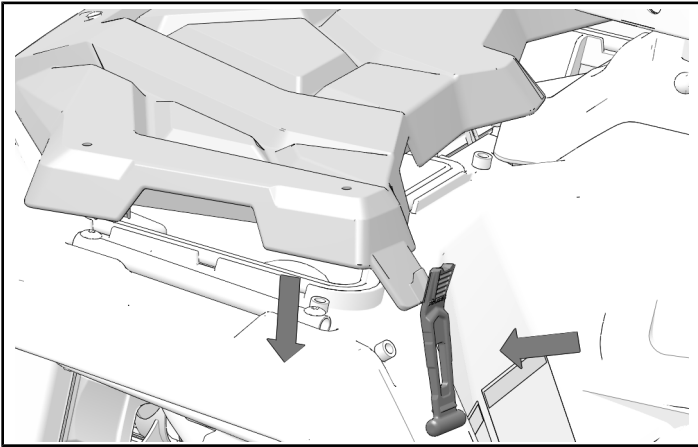
TORQUE

Upper Bumper Cover Fastener:
79 in-lbs (9 N·m)



4. Install accessory front brush guard, if equipped.

5. Close front rack and attach two rubber latches.



6. With vehicle key in ON position, test winch for proper operation. Test function of Autostop feature.

When reeling in winch rope, make sure winch will turn off automatically when the rubber puck reaches the aluminum fairlead. The winch should not allow the rope to be reeled in once the rubber puck has come within a close proximity (typically 1" or less) or made contact to the fairlead. If Autostop is not functioning properly, see troubleshooting information in the Winch Guide.

INSTRUCTION FEEDBACK FORM

A feedback form has been created for the installer to provide any comments, questions or concerns about the installation instructions. The form is viewable on mobile devices by scanning the QR code or by clicking [HERE](#) if viewing on a PC.

