

ADAPTER MOUNT KIT



P/N 2882257

APPLICATION

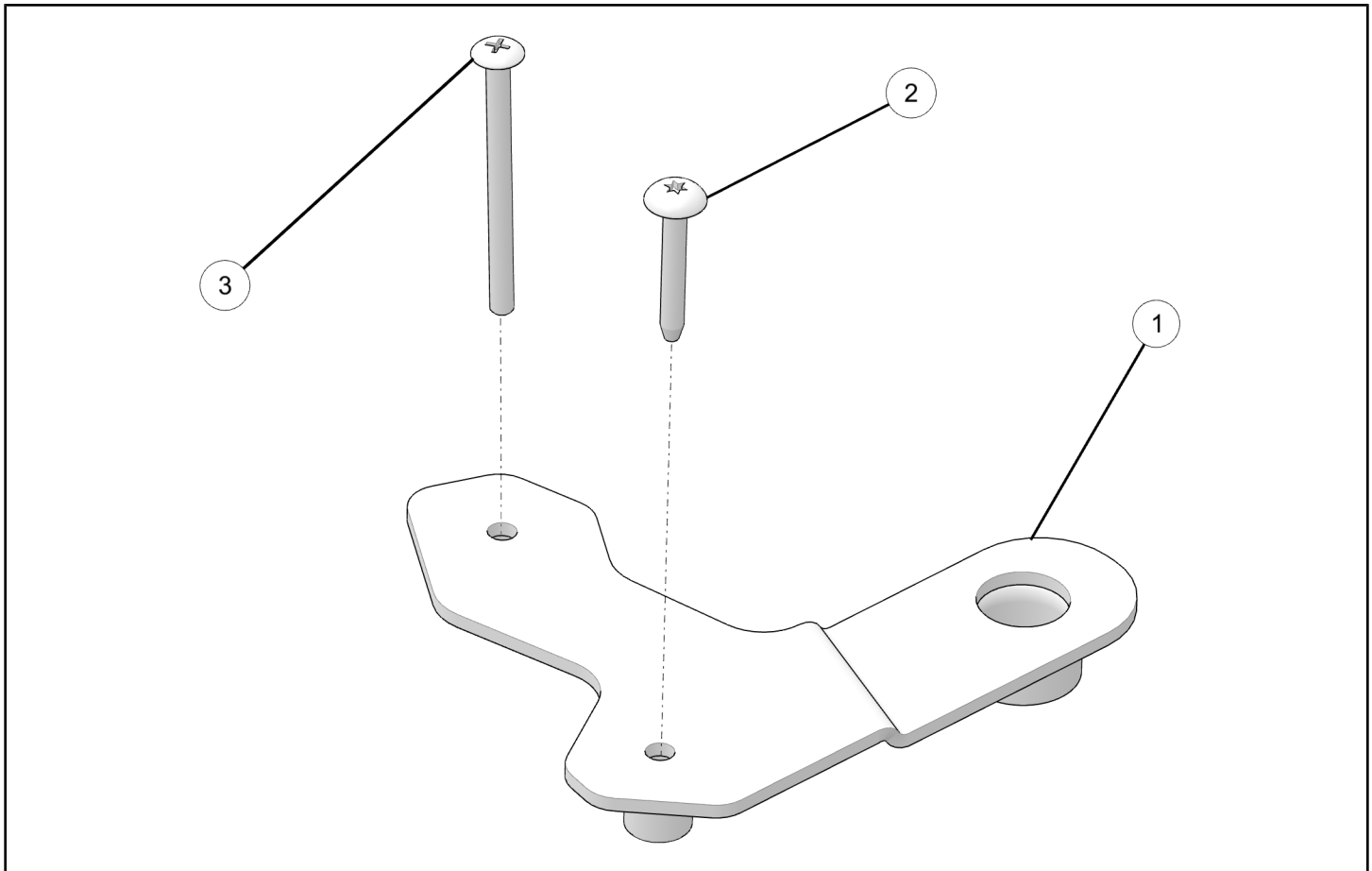
Verify accessory fitment at Polaris.com.

BEFORE YOU BEGIN

Read these instructions and check to be sure all parts and tools are accounted for. Please retain these installation instructions for future reference and parts ordering information.

KIT CONTENTS

This Kit includes:



REF	QTY	PART DESCRIPTION	PART NUMBER
1	1	Adapter Mount	1022765
2	1	Screw - 1/4 - 20 X 3.25	7518504
3	1	Screw - 1/4 - 20 X 1.75	7520475
	1	Instructions	9927492

TOOLS REQUIRED

- Safety Glasses
- 10mm Wrench
- Phillips Screwdriver
- Torx Wrench

IMPORTANT

Your ADAPTER MOUNT KIT is exclusively designed for your vehicle. Please read the installation instructions thoroughly before beginning. Installation is easier if the vehicle is clean and free of debris. For your safety, and to ensure a satisfactory installation, perform all installation steps correctly in the sequence shown.

ASSEMBLY TIME

Approximately 10 minutes

INSTALLATION INSTRUCTIONS

1. Remove two stock screws from vehicle and install adapter mount ① using new supplied screws ② and ③ in the location shown.
2. Install gun mount kit (PN 2879888) on vehicle by inserting LOCK & RIDE® anchor through the adapter mount tube and lock in place.

