

FENDER BAG KIT



P/N 2882271

APPLICATION

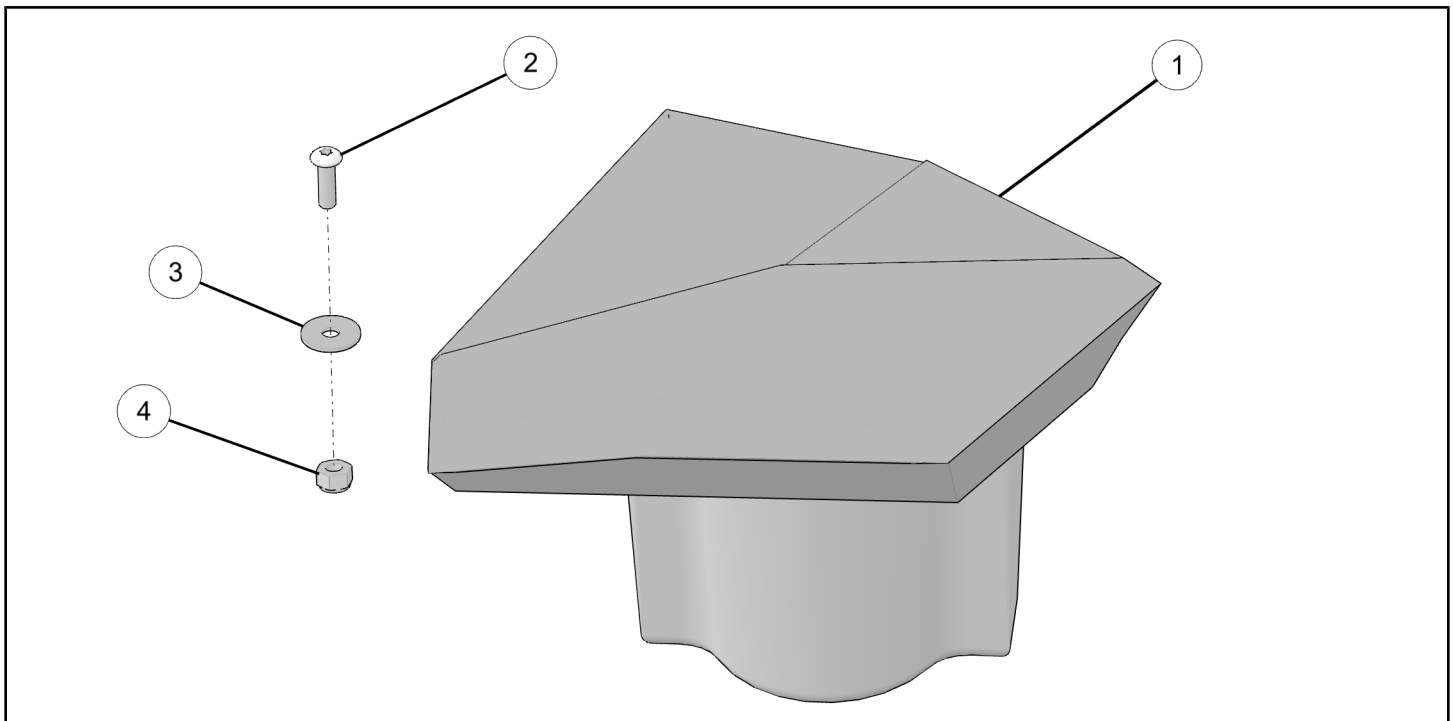
Verify accessory fitment at Polaris.com.

BEFORE YOU BEGIN

Read these instructions and check to be sure all parts and tools are accounted for. Please retain these installation instructions for future reference and parts ordering information.

KIT CONTENTS

This Kit includes:



REF	QTY	PART DESCRIPTION	PART NUMBER
1	1	Fender Bag	-
2	1	Screw	7517756
3	2	Washer	7556034
4	1	Nut	7541925
	1	Instructions	9927506

TOOLS REQUIRED

- Metric Socket and Ratchet Set

IMPORTANT

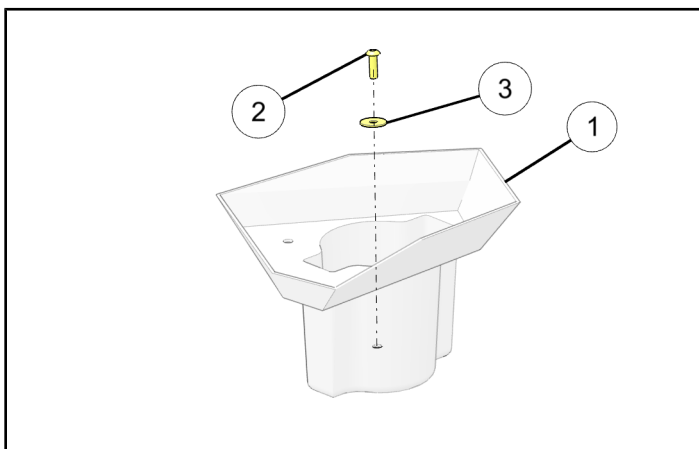
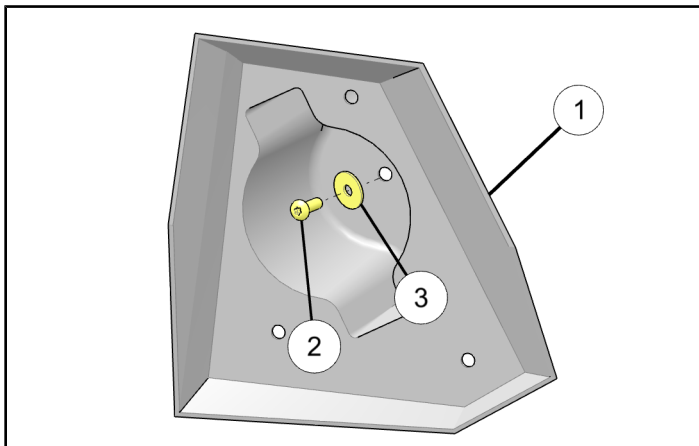
Your FENDER BAG KIT is exclusively designed for your vehicle. Please read the installation instructions thoroughly before beginning. Installation is easier if the vehicle is clean and free of debris. For your safety, and to ensure a satisfactory installation, perform all installation steps correctly in the sequence shown.

ASSEMBLY TIME

Approximately 5 minutes

INSTALLATION INSTRUCTIONS

1. Place vehicle in "PARK". Turn key to "OFF" position and remove from vehicle.
2. Open the fender bag and insert screw ② through washer ③ and install into fender bag base hole ① as shown.



3. Install fender bag ① into cup holder by inserting screw ② through the hole in cup holder base. Install washer ③ and nut ④ from vehicle underneath. Tighten until snug.

