

CONSOLE KIT



P/N 2881674

APPLICATION

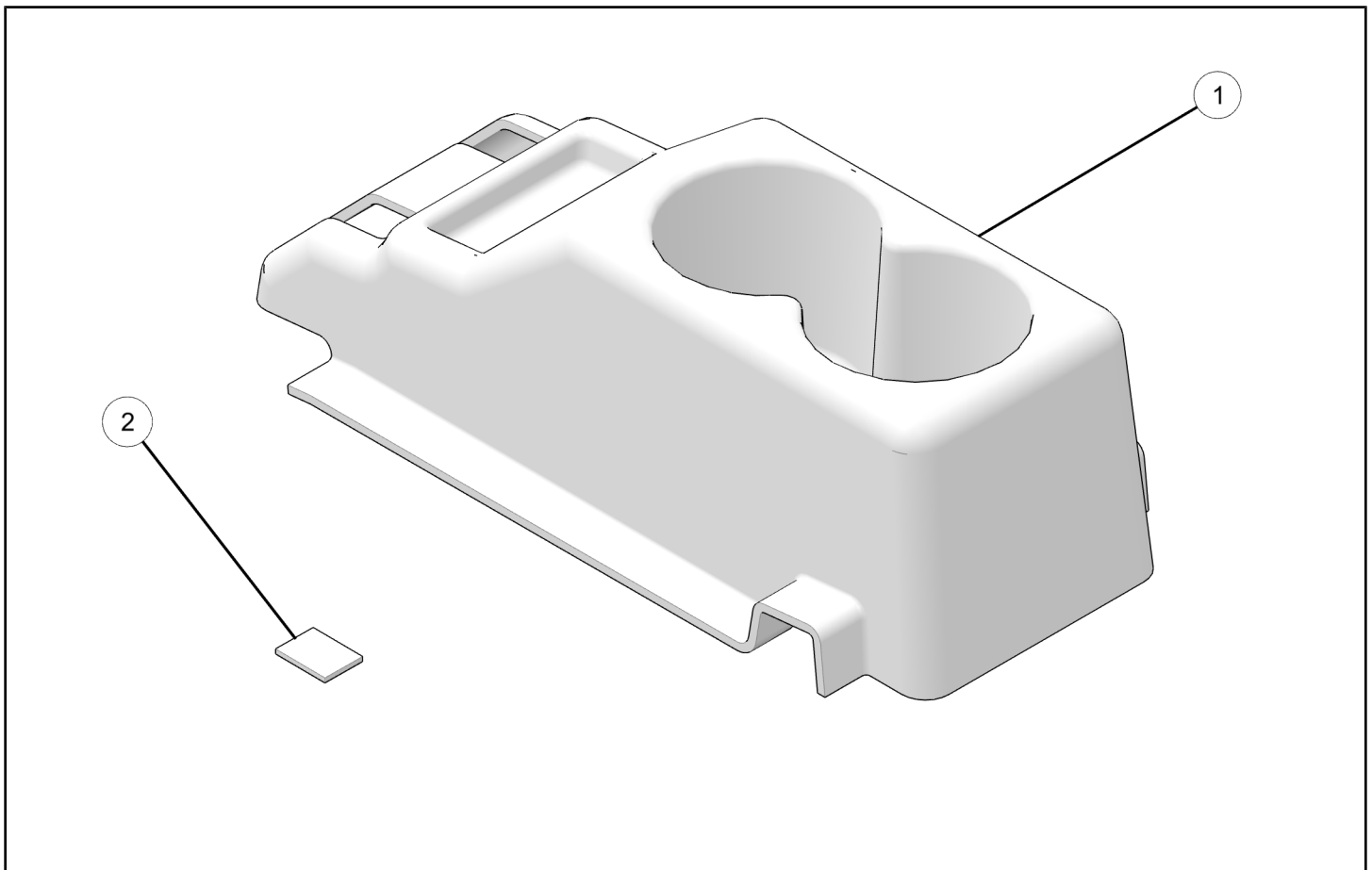
2016 GEM eL XD

BEFORE YOU BEGIN

Read these instructions and check to be sure all parts and tools are accounted for. Please retain these installation instructions for future reference and parts ordering information.

KIT CONTENTS

This Kit includes:



REF	QTY	PART DESCRIPTION	PART NUMBER
1	1	Seatbase Console	5452780
2	6	Velcro, Dual Lock	8560241
	1	Instructions	9926748

TOOLS REQUIRED

No Tools Required

IMPORTANT

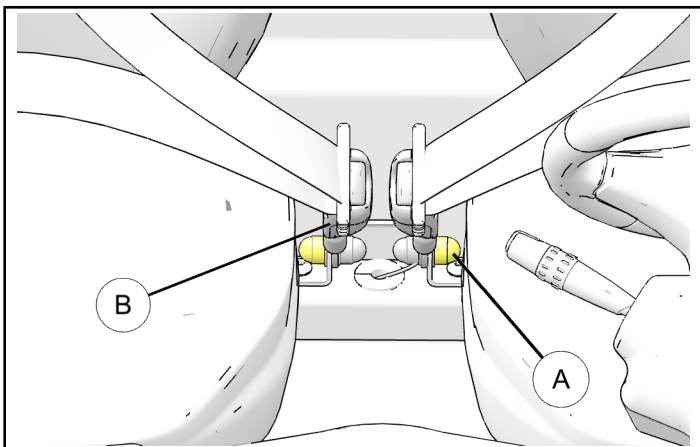
Your CONSOLE KIT is exclusively designed for your vehicle. Please read the installation instructions thoroughly before beginning. Installation is easier if the vehicle is clean and free of debris. For your safety, and to ensure a satisfactory installation, perform all installation steps correctly in the sequence shown.

ASSEMBLY TIME

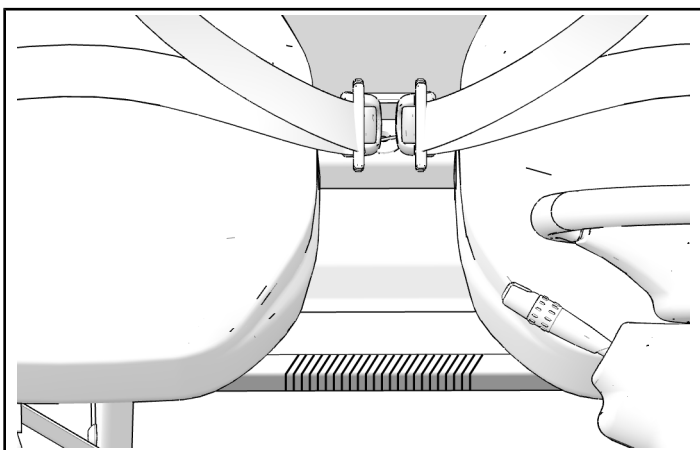
Approximately 3 minutes

INSTALLATION INSTRUCTIONS

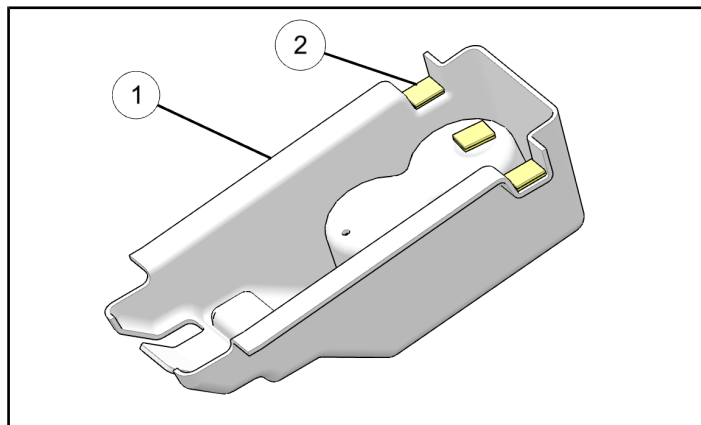
1. Remove black plastic fastener protectors (A) from seat belt buckle (B).



2. Clean front seat base rail area (shown with hatch lines) thoroughly with soap and warm water and wipe down with rubbing alcohol.



3. Join two Velcro pads (2) together, remove backing from one side and place in the following locations after wiping the locations with rubbing alcohol to assure a clean surface.



4. Remove backing from other side and place between seats being careful that the center section of the console (1) is tucked under the seat belt buckle mounting bracket (C). Press down firmly at each of the mounting locations.

