

WINDSHIELD WASHER KIT



P/N 2881863

APPLICATION

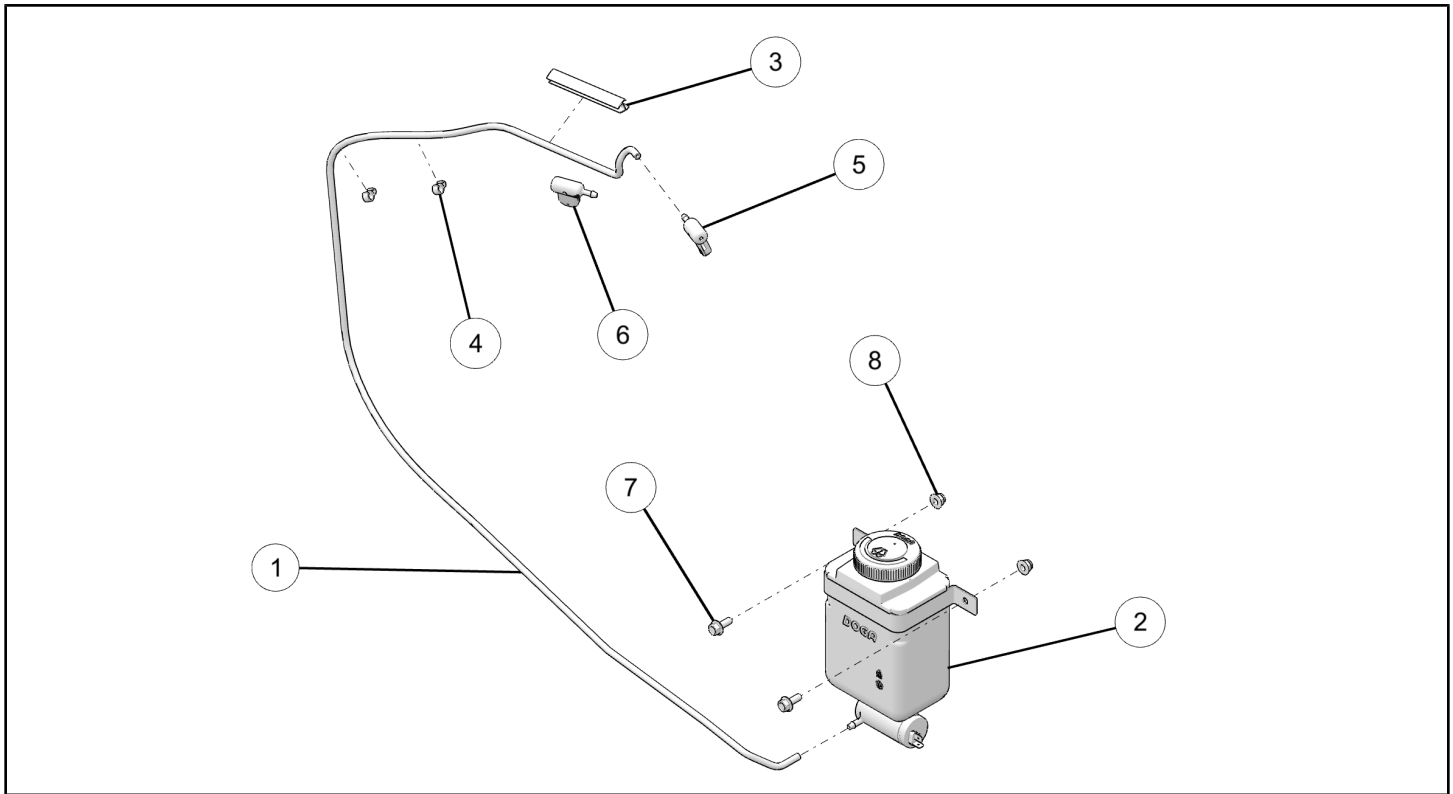
E2, E4, E6, and eL XD

BEFORE YOU BEGIN

Read these instructions and check to be sure all parts and tools are accounted for. Please retain these installation instructions for future reference and parts ordering information.

KIT CONTENTS

This Kit includes:



REF	QTY	PART DESCRIPTION	PART NUMBER
1	1	Hose, Washer Bottle	8450159
2	1	Washer Bottle Assembly	2413169
3	1	Channel - Washer, Hose	5452530
4	2	Clip - Hose, Washer	5452848
5	1	Nozzle - Washer, LH	7052645
6	1	Nozzle - Washer, RH	7052646
7	2	Screw, Hex Flange - M6 X 1.0 X 16	7518591
8	2	Nut, Hex Flange	7547453
	1	Instructions	9926974

TOOLS REQUIRED

- Ratchet
- 10mm Socket
- Flat Head Screw Driver

- Phillips Screw Driver
- Fine Pick

IMPORTANT

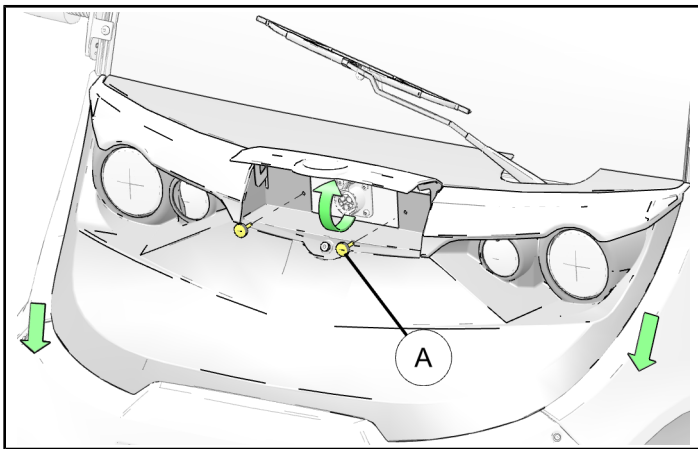
Your WINDSHIELD WASHER KIT is exclusively designed for your vehicle. Please read the installation instructions thoroughly before beginning. Installation is easier if the vehicle is clean and free of debris. For your safety, and to ensure a satisfactory installation, perform all installation steps correctly in the sequence shown.

ASSEMBLY TIME

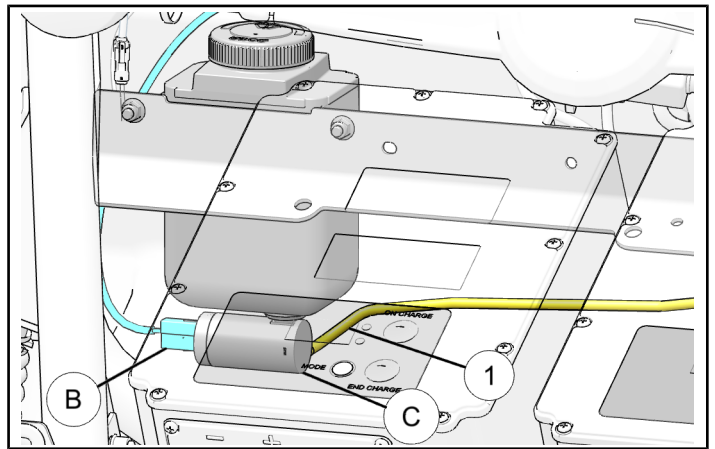
Approximately 20 minutes

INSTALLATION INSTRUCTIONS

1. Flip open charge port door and remove two thumb screws (A). Pull the hood in direction of arrow (parallel to ground) and remove from vehicle.



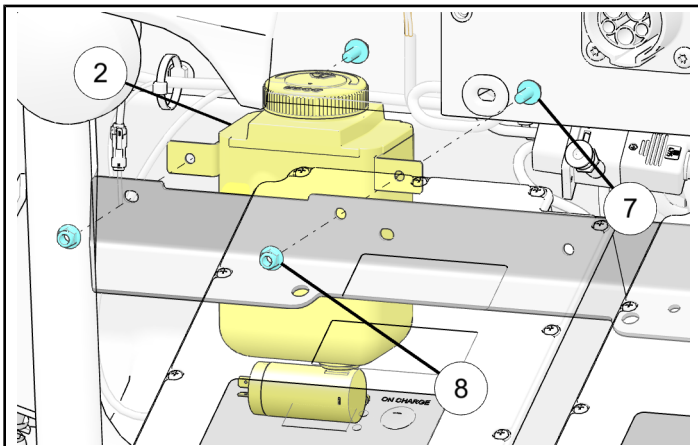
3. Install electrical connector (B) from the common front harness to washer pump motor (C) and connect washer hose ① to pump outlet.



2. Install washer bottle ② to frame with screws ⑦ and nuts ⑧ using 10mm socket with ratchet and 10mm wrench. Torque nuts to specification.

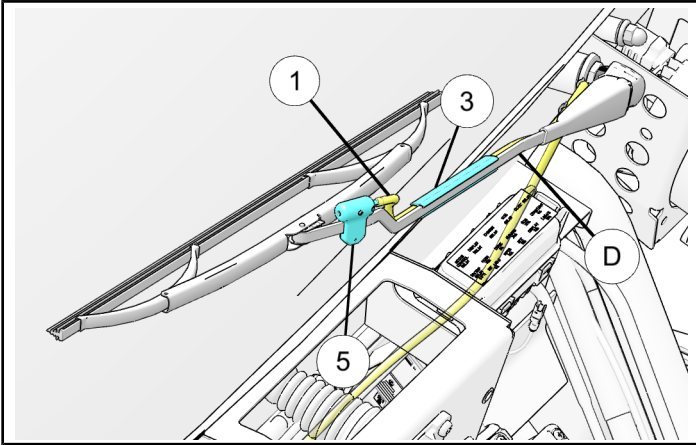
TORQUE

8 lb-ft (10.8 Nm)

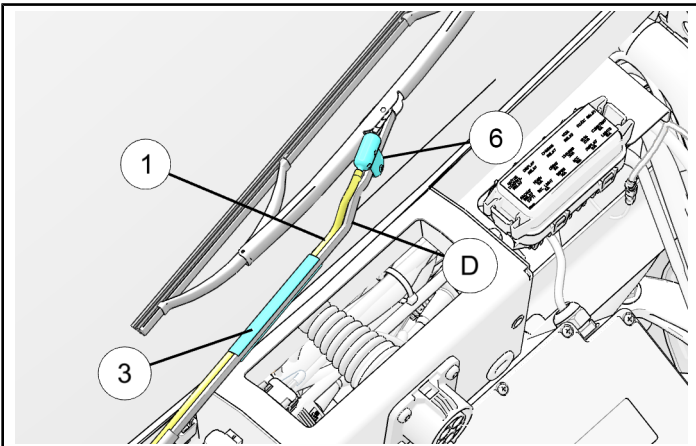


7. Finish routing washer hose ① through the hose channel ③ and attach to the nozzle ⑤/⑥. Trim excess hose length after a dry test run. Ensure no binding in the hose.

For LH drive vehicles:

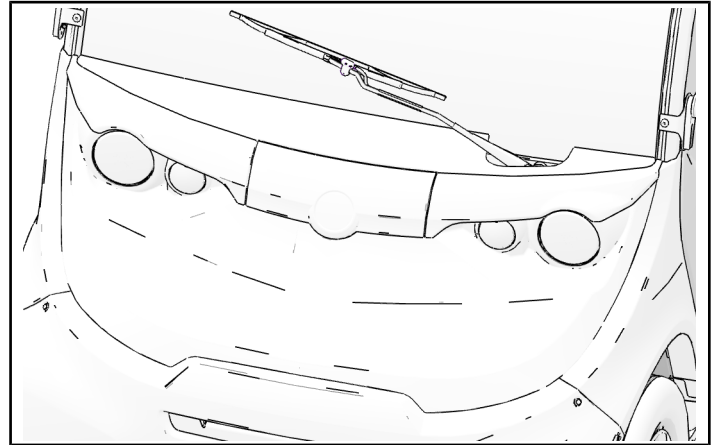


For RH drive vehicles:



8. Fill washer bottle ② with fluid and test washer. Adjust three washer nozzles (using the fine pick) and adjust wiper nozzles for even distribution in front of wiper blade.
9. Reinstall hood and thumb screws.

For LH drive vehicles:



For RH drive vehicles:

