

# REARVIEW MIRROR MOUNTING KIT



**P/N 2882580**

## APPLICATION

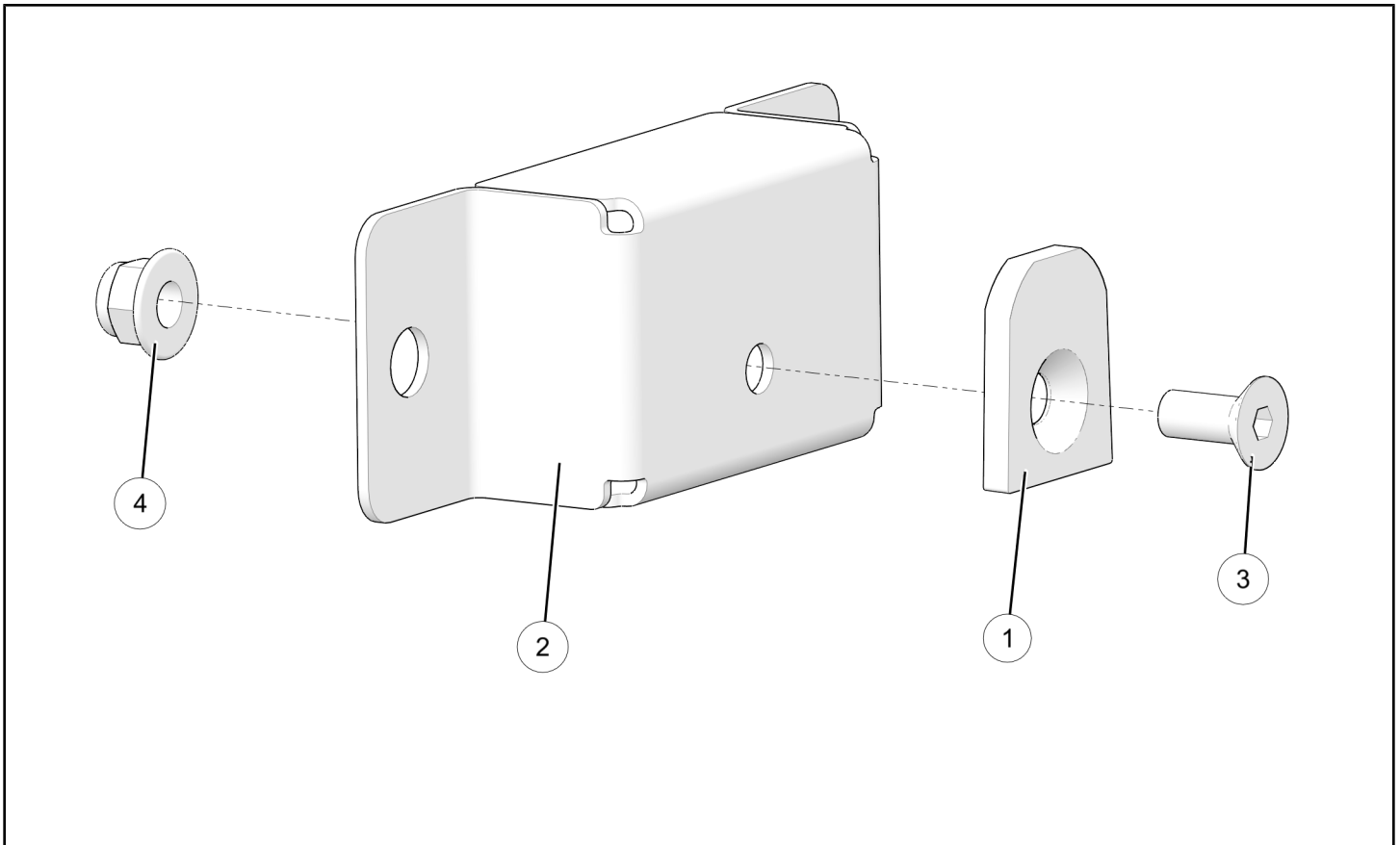
2016 e2, e4, e6, and eXLD

## BEFORE YOU BEGIN

Read these instructions and check to be sure all parts and tools are accounted for. Please retain these installation instructions for future reference and parts ordering information.

## KIT CONTENTS

This Kit includes:



REF	QTY	PART DESCRIPTION	PART NUMBER
1	1	Tab-Mount, Mirror	2636622
2	1	Bracket, Light, Interior	5263766
3	1	Screw, Countersunk, Hex Bit, M6 X 1.0 X 14	7517754
4	1	Nut, Hex, Flange, M6 X 1.0 X 8	7547453
	1	Instructions	9927861

## TOOLS REQUIRED

- Safety Glasses
- Screwdriver, Phillips
- Socket Set, Hex Bit, Metric
- Socket Set, Metric
- Torque Wrench
- Wrench Set, Metric

## IMPORTANT

Your Rearview Mirror Mounting Kit is exclusively designed for your vehicle. Please read the installation instructions thoroughly before beginning. Installation is easier if the vehicle is clean and free of debris. For your safety, and to ensure a satisfactory installation, perform all installation steps correctly in the sequence shown.

## ASSEMBLY TIME

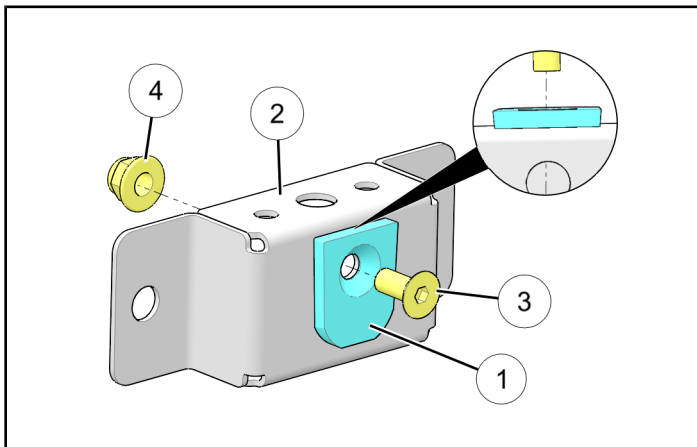
Approximately 18 minutes

## INSTALLATION INSTRUCTIONS

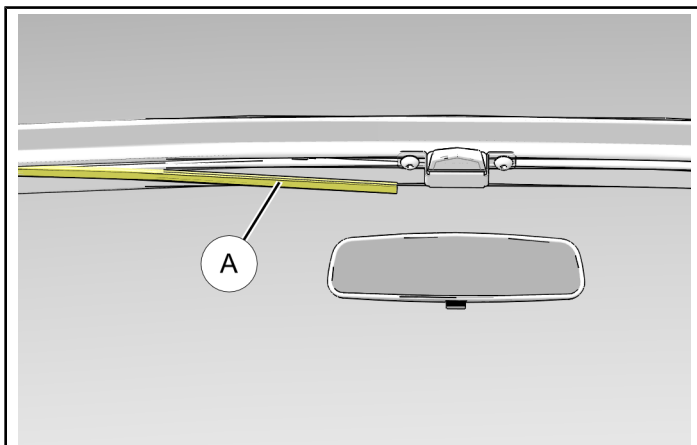
1. Place gear selector in "N". Apply parking brake. Turn key to "OFF" position and remove from vehicle.
2. Assemble new bracket by installing mirror mount ① onto bracket ② with flat edge toward end of bracket with holes. Ensure mount ① is mounted with wide side up as shown. Counter hold nut ④ and torque bolt ③ to specification.

### TORQUE

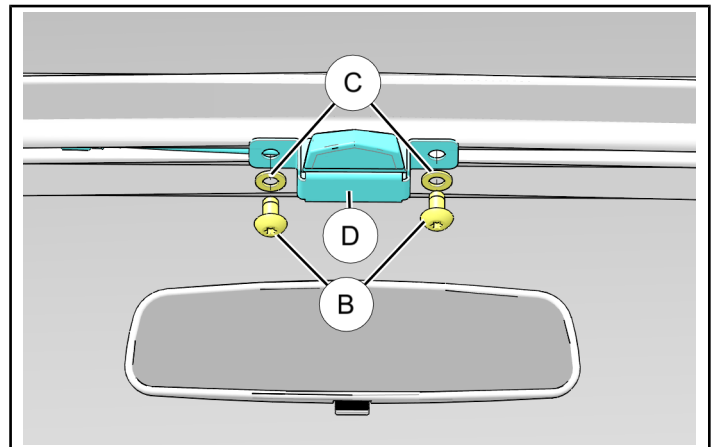
8 ft. lbs. (11 Nm)



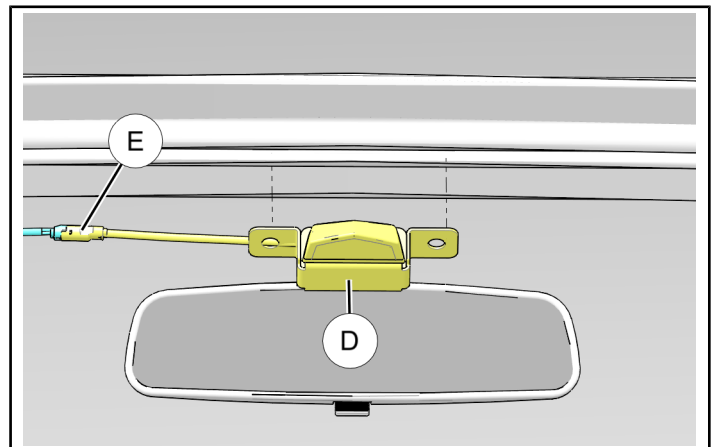
3. Remove wire channel cover ① by carefully pulling down. Retain for reassembly.



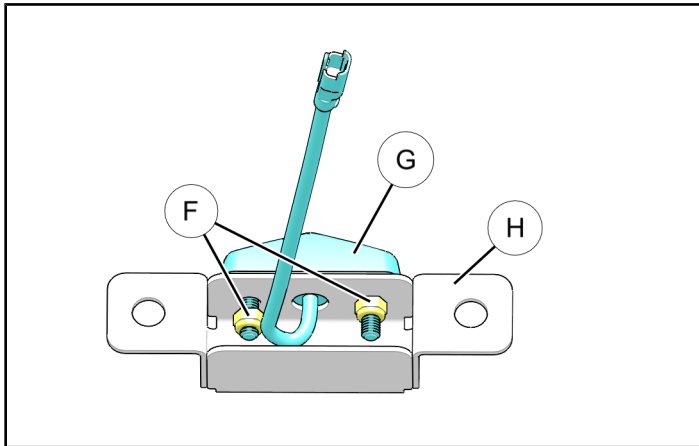
4. Remove two screws ① and two washers ② from light bracket assembly ③. Retain parts for reassembly.



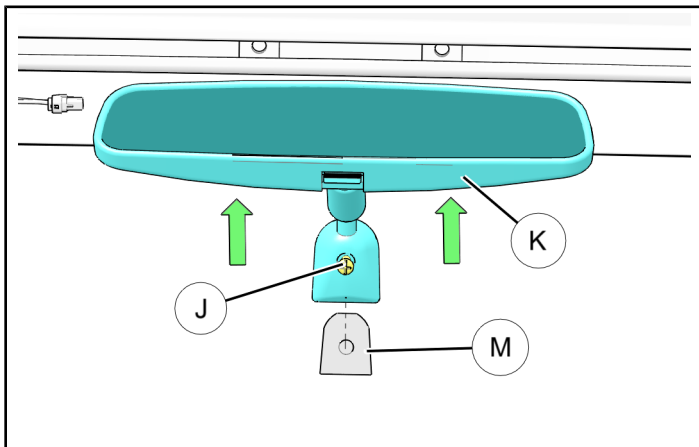
5. Remove light bracket assembly ③. Disconnect connector for light housing ④.



6. Remove two nuts (F) and separate light housing (G) from bracket (H). Retain nuts (F) and light housing (G). Discard bracket (H).



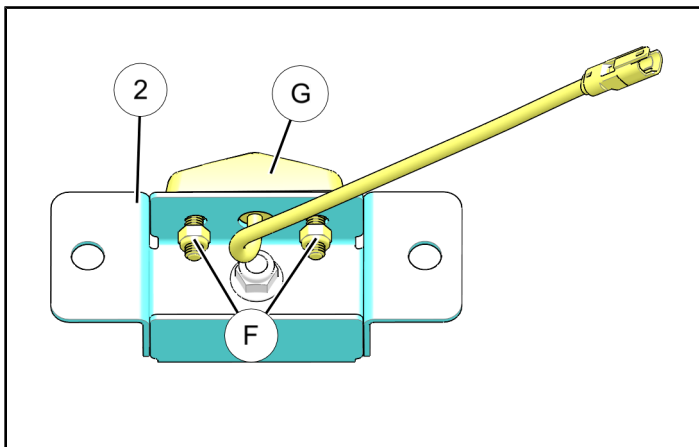
7. Loosen screw (J) from mirror (K) and remove mirror from windshield by sliding mirror up off mount (M). Retain mirror for reassembly. Carefully remove mount (M) from windshield and discard.



8. Install light housing (G) to new bracket (2) with two retained nuts (F). Torque nuts to specification.

### TORQUE

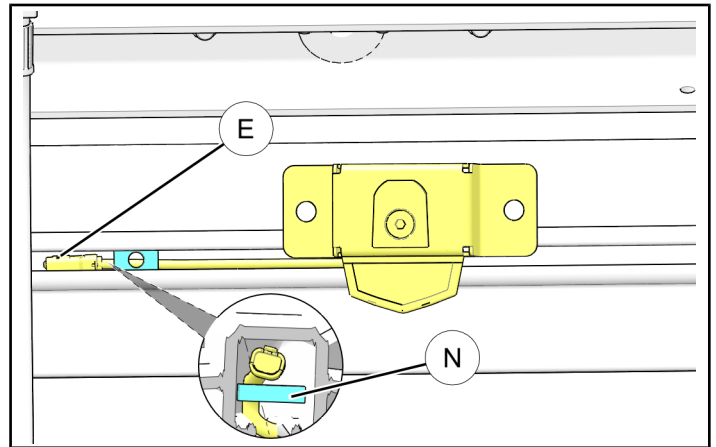
24 in. lbs. (3Nm)



### CAUTION

Wiring may become pinch and damaged if not routed properly.

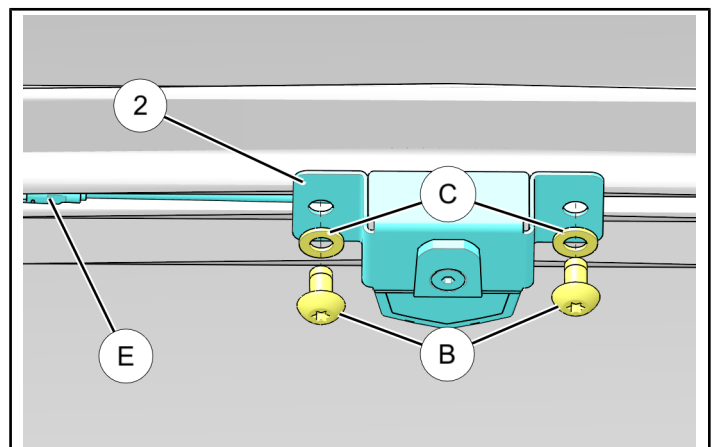
9. Feed connector over top of nut (N) as shown. Plug in connector (E).



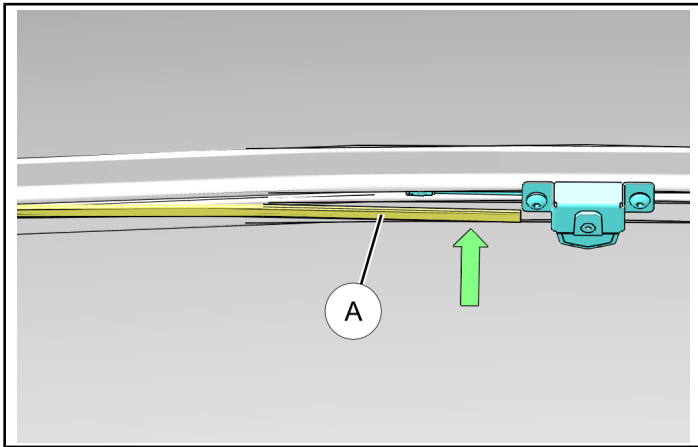
10. Ensure wiring is clear of mounting holes and mount bracket assembly (2) using retained screws (B) and washers (C). Torque screws to specification.

### TORQUE

18 ft. lbs. (25Nm)



11. Ensure wire is installed in channel. Reinstall wiring channel cover (A).



12. Install mirror (K) by sliding base onto mount (1) from rear to front. Hand tighten screw (J).

