

# SIDE MIRROR KIT



**P/N 2882581**

## APPLICATION

Verify accessory fitment at [Polaris.com](http://Polaris.com).

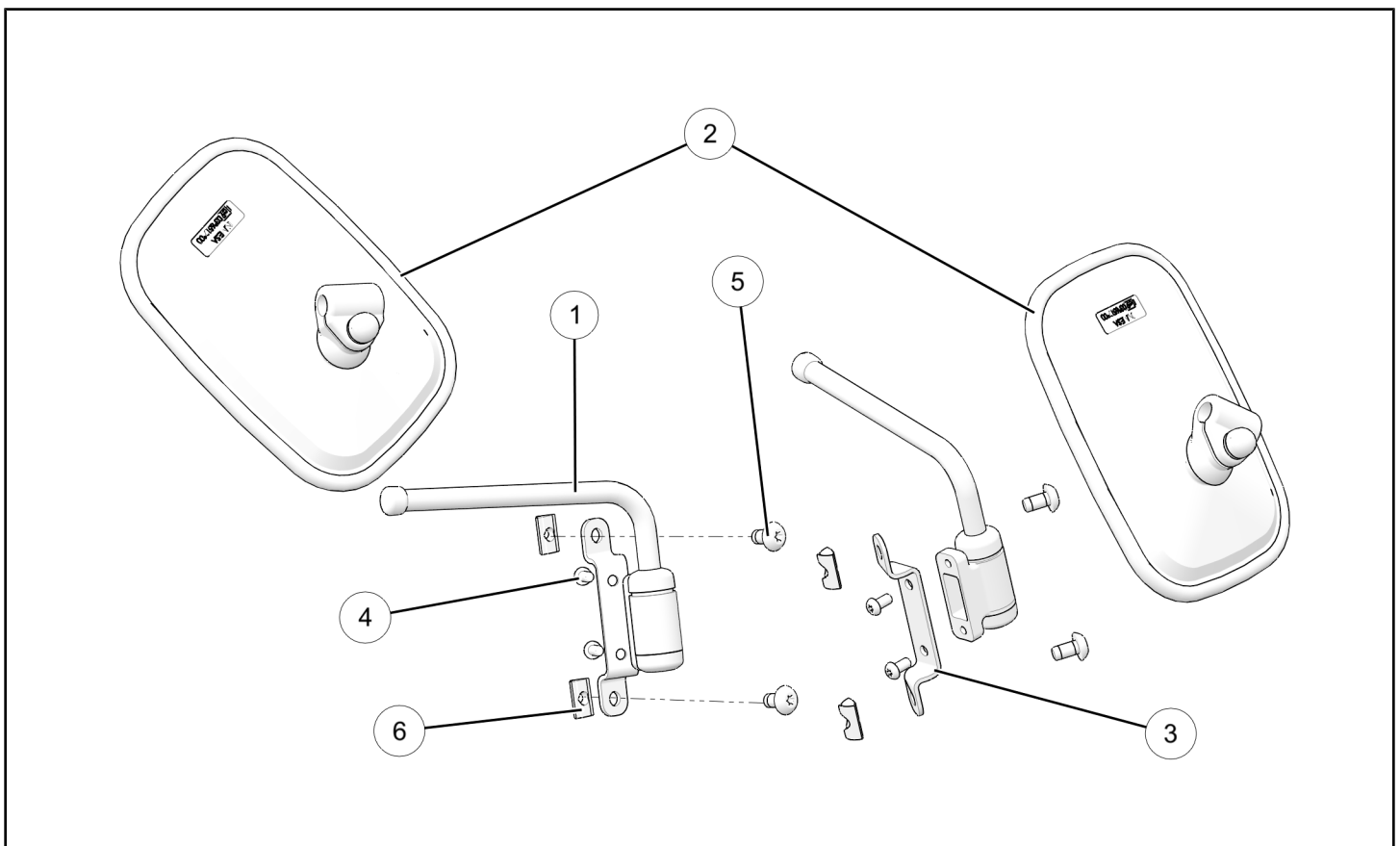
2016 and newer e2, e4, e6, and eL XD

## BEFORE YOU BEGIN

Read these instructions and check to be sure all parts and tools are accounted for. Please retain these installation instructions for future reference and parts ordering information.

## KIT CONTENTS

This Kit includes:



REF	QTY	PART DESCRIPTION	PART NUMBER
1	2	Arm-Mirror, Side	2636520
2	2	Mirror, Side	2636577
3	2	Bracket Mount, Mirror	5263637
4	4	Screw, Torx® Button Head, M6 X 1.0 X 12	7519063
5	4	Screw, Torx® Head, M8 X 1.25 X 15	7520391

REF	QTY	PART DESCRIPTION	PART NUMBER
6	4	Nut, Roll-in, Leaf Spring, M8 X 1.25	7547806
	1	Instructions	9927862

## TOOLS REQUIRED

- Safety Glasses
- Screwdriver, Slotted
- Socket Set, Torx® Bit
- Socket Set, Metric
- Torque Wrench

## IMPORTANT

Your Side Mirror Kit is exclusively designed for your vehicle. Please read the installation instructions thoroughly before beginning. Installation is easier if the vehicle is clean and free of debris. For your safety, and to ensure a satisfactory installation, perform all installation steps correctly in the sequence shown.

## ASSEMBLY TIME

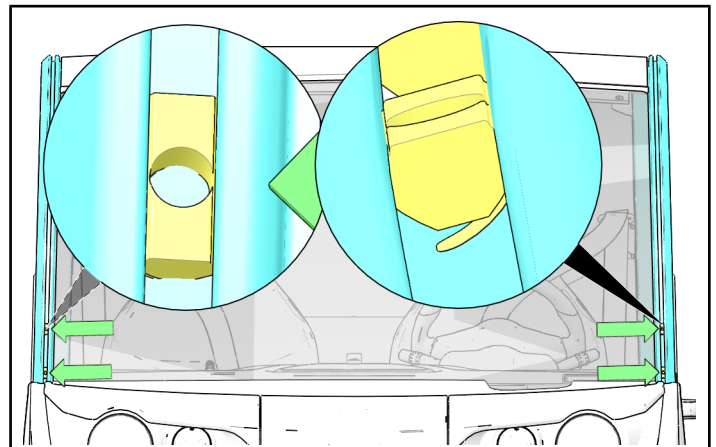
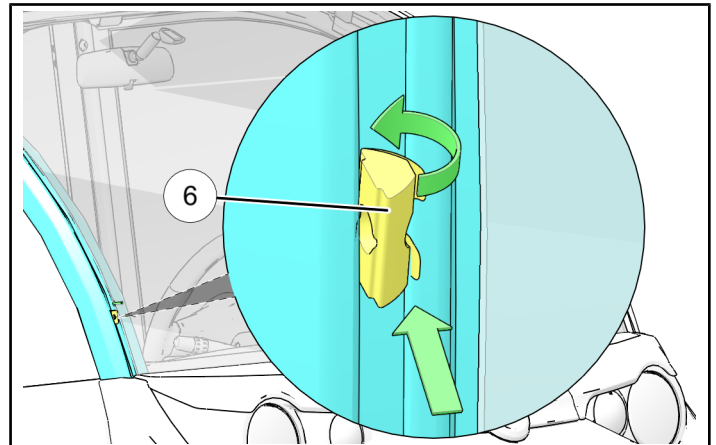
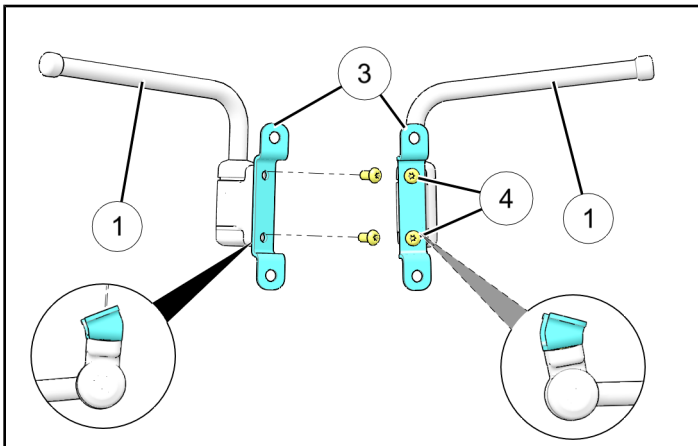
Approximately 18 minutes

## INSTALLATION INSTRUCTIONS

1. Place gear selector in "N". Apply parking brake. Turn key to "OFF" position and remove from vehicle.
2. Install one bracket ③ onto each mirror arm ① using two screws ④. Ensure brackets ③ are installed with one in each orientation as shown with inset. Torque screws to specification.
3. Install two Roll-In Nuts ⑥ in channels on each side of windshield. Install with leaf spring tabs outward then roll into place.

### TORQUE

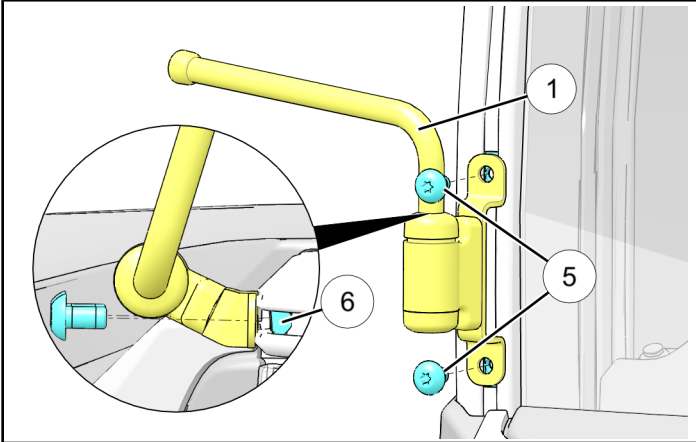
60 in. lbs. (7 Nm)



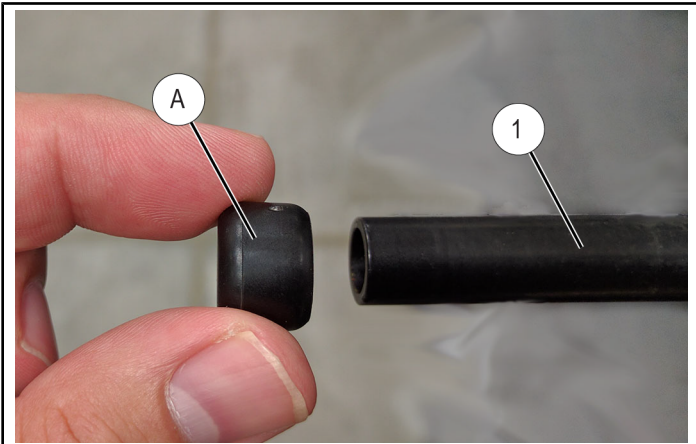
4. Loosely install two screws ⑤ through mirror arm assembly bracket ① into roll-in nuts ⑥. Ensure mirror bracket is installed on appropriate side (right mirror shown). Adjust mirror to desired height and torque screws to specification.

### TORQUE

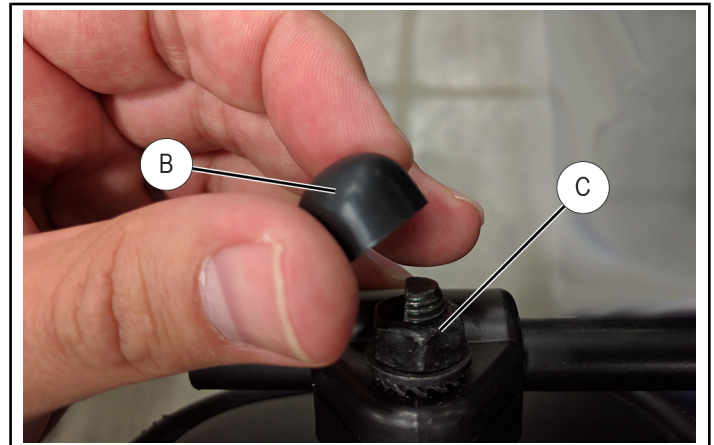
18 ft. lbs. (25 Nm)



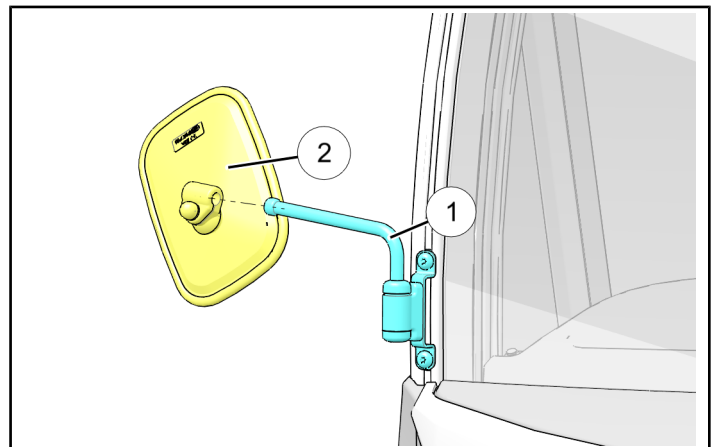
5. Remove cap ① from end of Mirror Arm ①.



6. Remove cap ① from nut ③ and loosen nut. **Do Not Remove Nut.**



7. Slide Mirror Lens ② onto shaft of Mirror Arm ①.



8. Adjust mirror to desired position and tighten nut ③ to retain mirror position.  
9. Reinstall cap ① onto nut ③.  
10. Reinstall cap ① on Mirror Arm shaft ①.  
11. Repeat steps 4 through 10 for second mirror.