

# SUN VISOR KIT



**P/N 2884227**

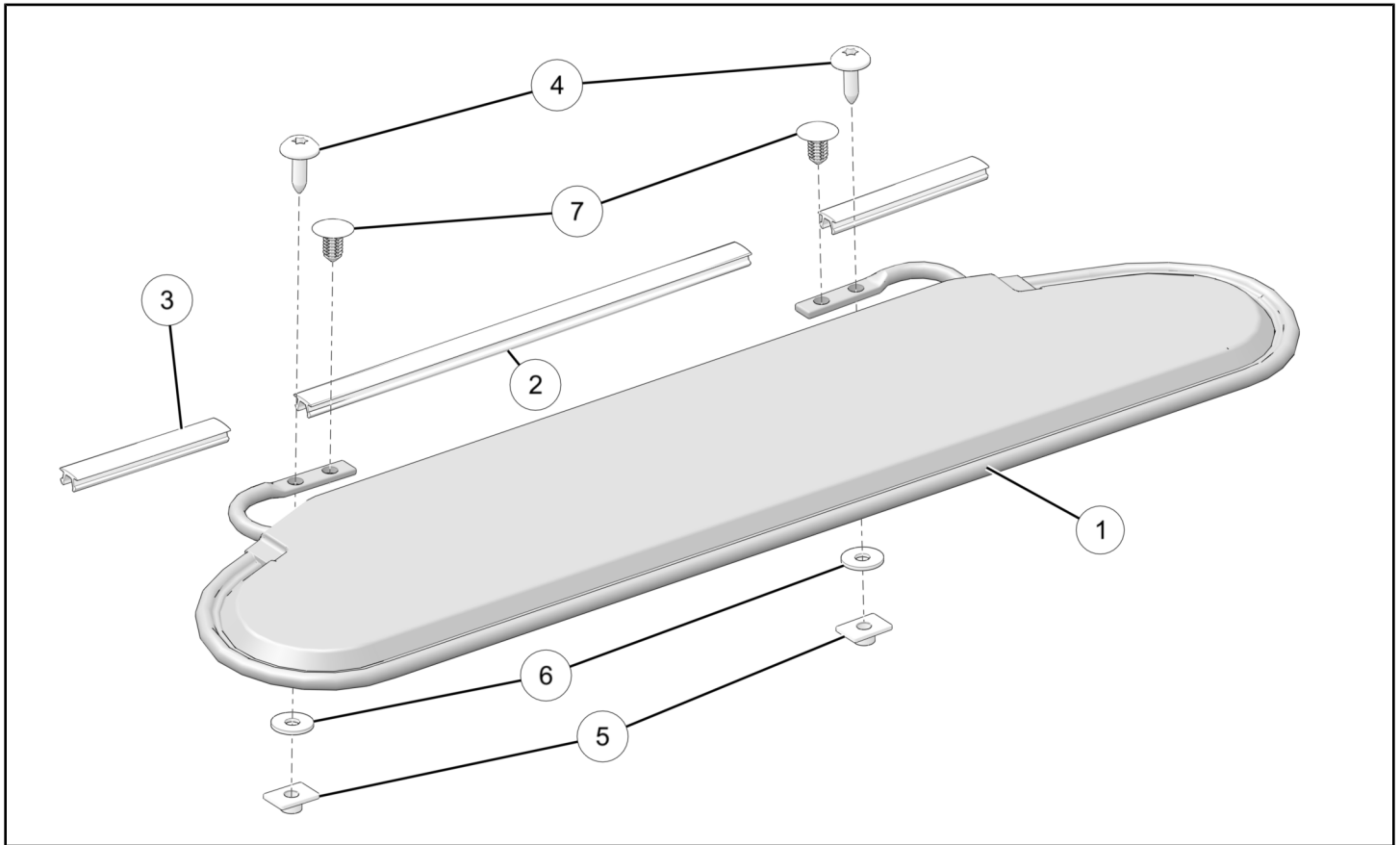
## APPLICATION

Verify accessory fitment at [GEMCAR.COM](http://GEMCAR.COM).

## BEFORE YOU BEGIN

Read these instructions and check to be sure all parts and tools are accounted for. Please retain these installation instructions for future reference and parts ordering information.

## KIT CONTENTS



REF	QTY	PART DESCRIPTION	P/N AVAILABLE SEPARATELY
1	2	Sun Visor	-
2	2	T-Slot Cover, 230MM	5522246-230
3	4	T-Slot Cover, 80MM	5522246-80
4	4	Screw, Torx® Head, M6 X 1.0 X 20 T40	7519112
5	4	T-Slot Nut, M6	7547300
6	4	Washer, 6.4 X 18.0 X 1.6	7556064
7	4	Clip, Plastic Dart, Nylon	7670088
	1	Instructions	9929719

## TOOLS REQUIRED

- Safety Glasses
- Screwdriver, Slotted
- Socket Set, Torx® Bit
- Torque Wrench

## IMPORTANT

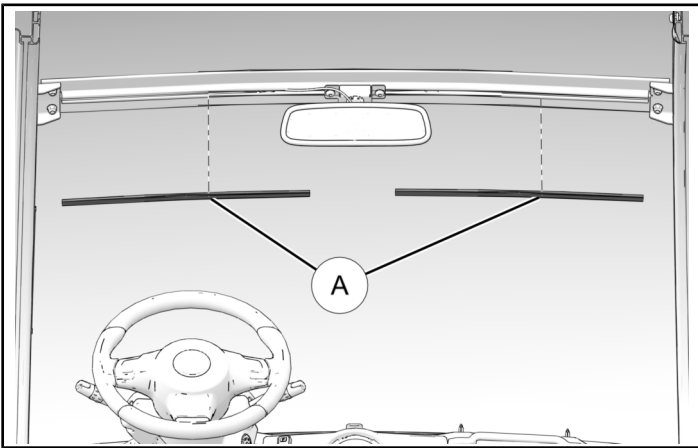
Your Sun Visor Kit is exclusively designed for your vehicle. Please read the installation instructions thoroughly before beginning. Installation is easier if the vehicle is clean and free of debris. For your safety, and to ensure a satisfactory installation, perform all installation steps correctly in the sequence shown.

## INSTALLATION INSTRUCTIONS

### VEHICLE PREPARATION

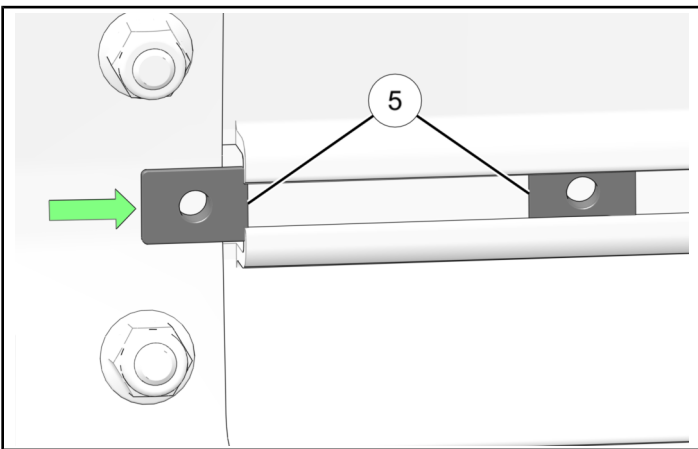
#### GENERAL

1. Place gear selector in **N**. Apply parking brake. Turn key to **OFF** position and remove from vehicle.
2. Remove and discard trim pieces **A** from slot.

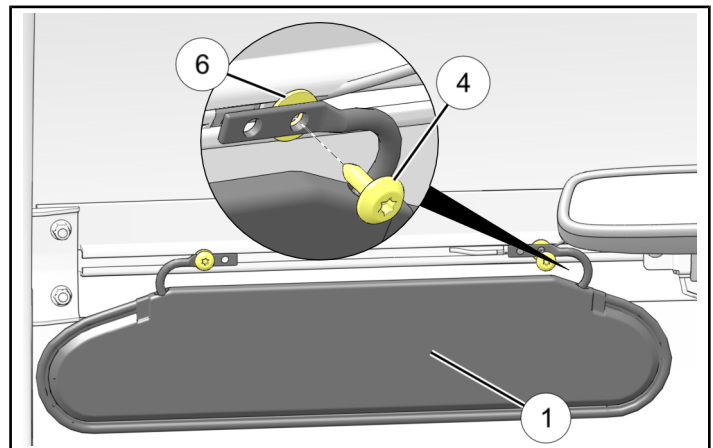
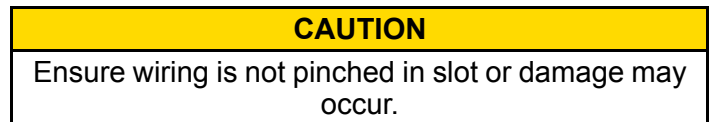


### ACCESSORY INSTALLATION

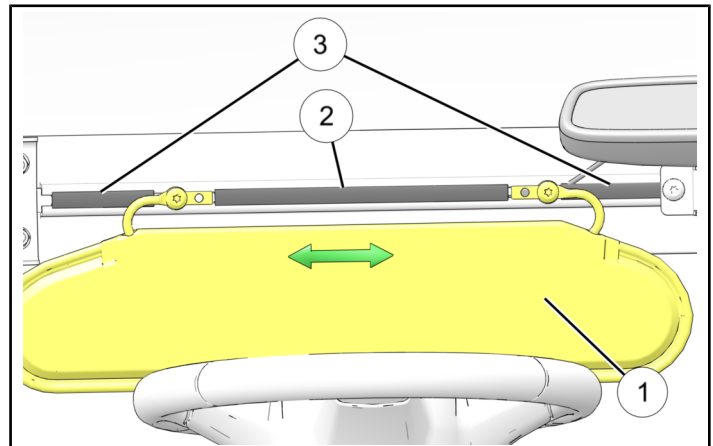
1. Slide two t-slot nuts **5** into slot from outside end opening.



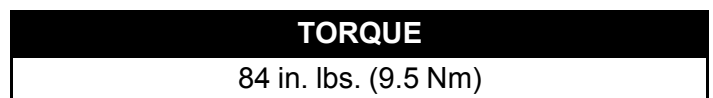
2. Loosely install two washers **6** then new visor **1**, then two screws **4** into t-slot nuts. **DO NOT torque screws at this time.**



3. Adjust visor **1** and install trim covers **3** and **2**.

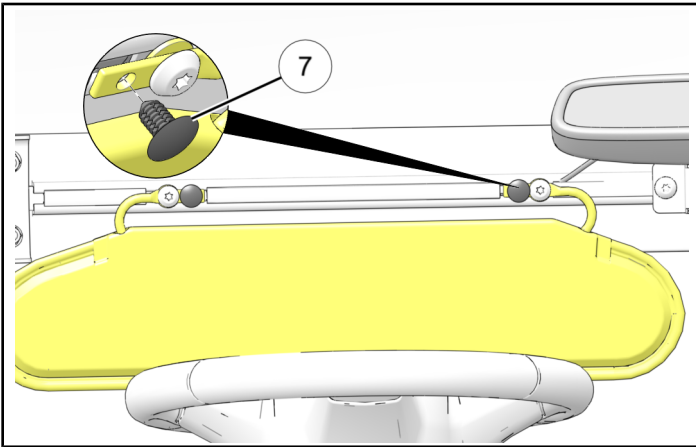


4. Once visor is properly located in t-slot, torque screws **4** to specification.



5. Insert two plastic push darts ⑦ into unused holes in visor arms.

6. Repeat steps 1-5 for opposite side sun visor.



## FEEDBACK FORM

A feedback form has been created for the installer to provide any comments, questions or concerns about the installation instructions. The form is viewable on mobile devices by scanning the QR code or by clicking [HERE](#) if viewing on a PC.

## FEEDBACK FORM

