

TABLET MOUNT KIT



P/N 2884557

APPLICATION

Verify accessory fitment at www.gemcar.com.

BEFORE YOU BEGIN

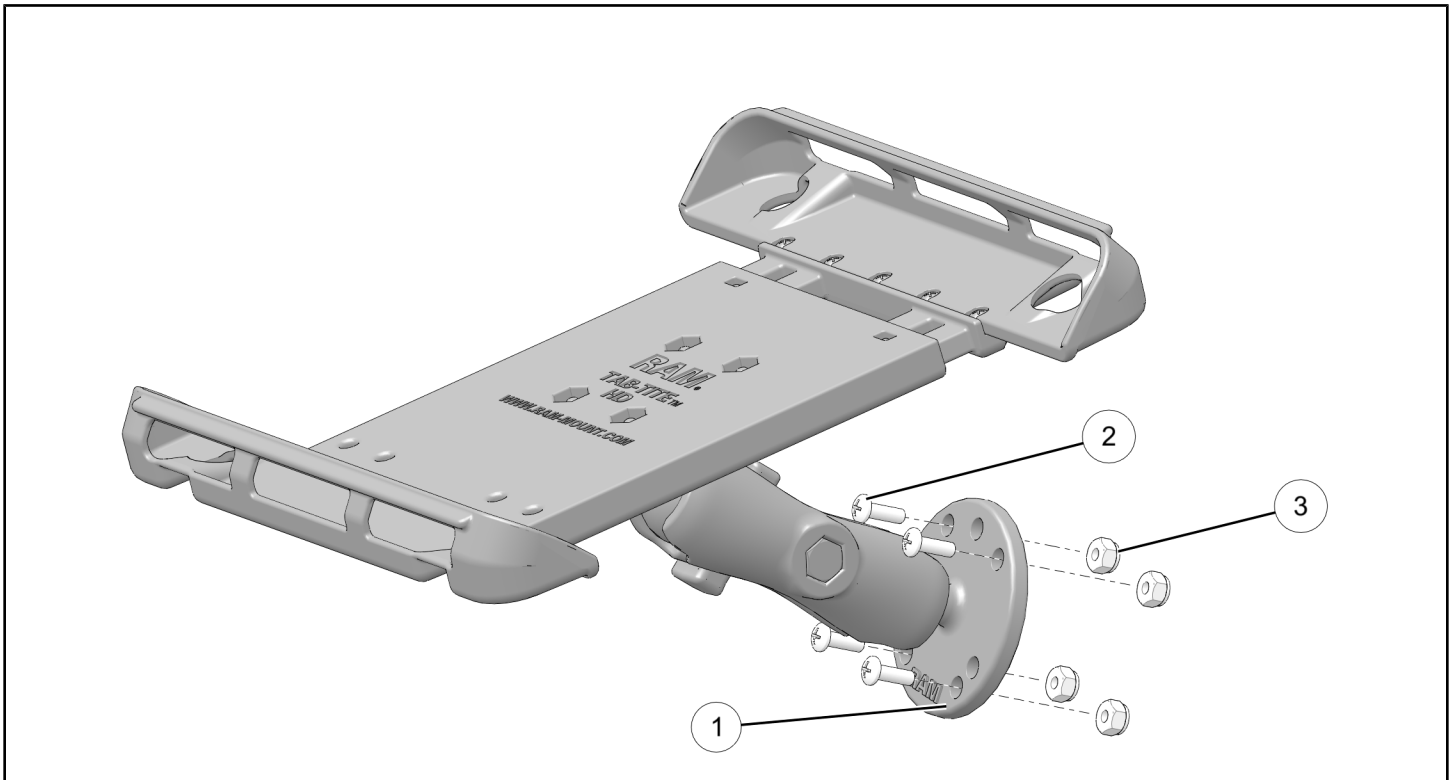
Read these instructions and check to be sure all parts and tools are accounted for. Please retain these installation instructions for future reference and parts ordering information.

REQUIRED SOLD SEPARATELY

Only parts for installation of the Tablet Mount Kit are included. For overhead mount installation, the following additional kit is required (sold separately):

- *Overhead Accessory Mount Kit, P/N 2884582*

KIT CONTENTS



REF	QTY	PART DESCRIPTION
1	1	Mount, Tablet
2	4	Screw, Phillips Pan Head - #8-32 x 0.5
3	4	Nut, Locking #8-32

TOOLS REQUIRED

- Safety Glasses
- Drill
- Drill Bit: 7/32 inch (6 mm)
- Pliers, Push Pin Rivet
- Screwdriver, Phillips
- Wrench Set, Metric

IMPORTANT

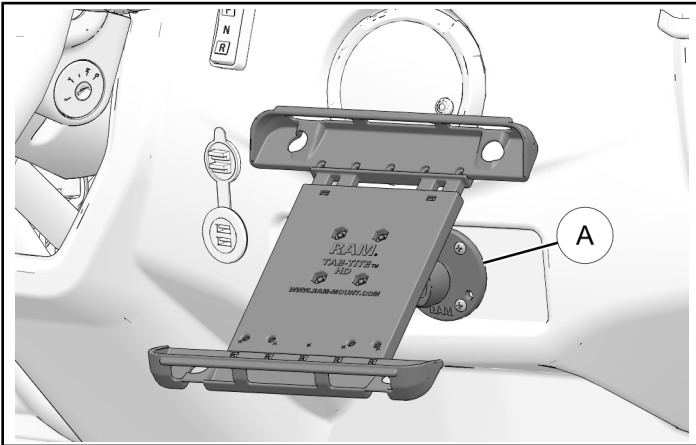
Your Tablet Mount Kit is exclusively designed for your vehicle. Please read the installation instructions thoroughly before beginning. Installation is easier if the vehicle is clean and free of debris. For your safety, and to ensure a satisfactory installation, perform all installation steps correctly in the sequence shown.

MOUNTING LOCATIONS

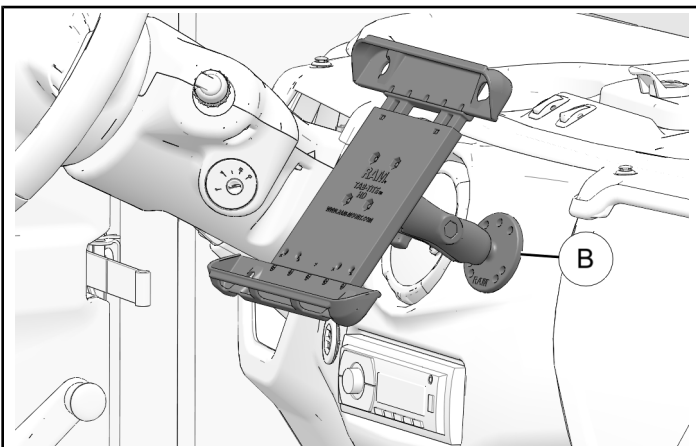
NOTE

Attach tablet mount to radio cutout location **A**. If vehicle is equipped with radio, attach tablet mount to dash adjacent to speedometer **B** or radio **C**. If vehicle is equipped with an overhead mount, location **D** is an option.

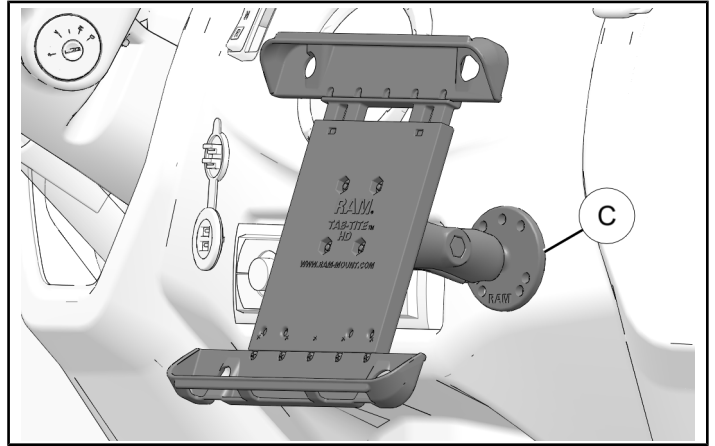
1. Radio Panel Mount.



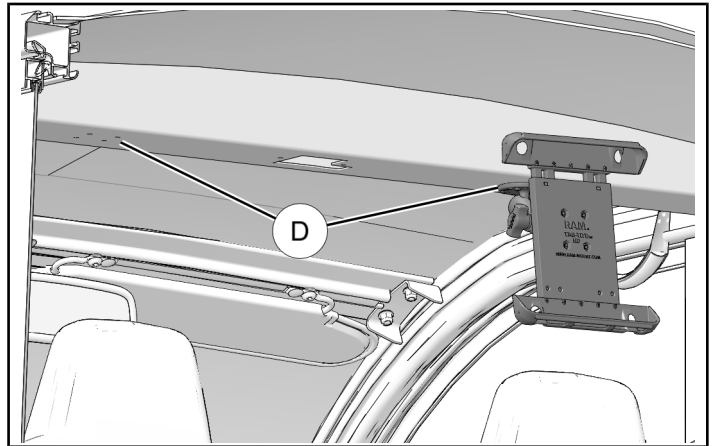
2. Dash Mount— adjacent to speedometer.



3. Dash Mount— adjacent to radio.



4. Overhead Mount — for e4 and e6® models only (PN 2884582 sold separately).



INSTALLATION INSTRUCTIONS

VEHICLE PREPARATION

GENERAL

1. Park vehicle on a flat surface.
2. Place gear selector in **N**. Apply parking brake. Turn key to **OFF** position and remove key from vehicle.

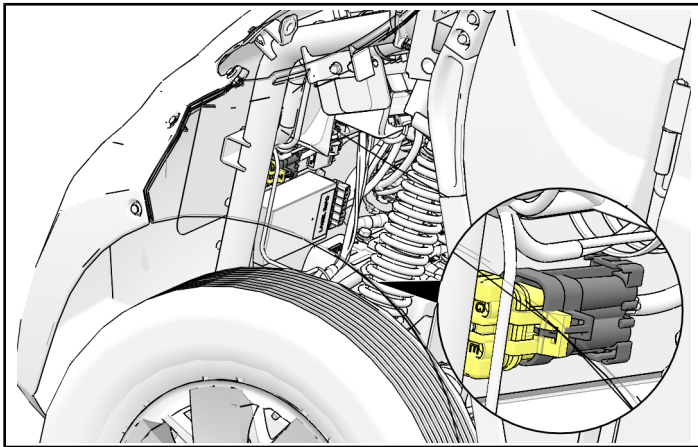
SERVICE DISCONNECT

WARNING

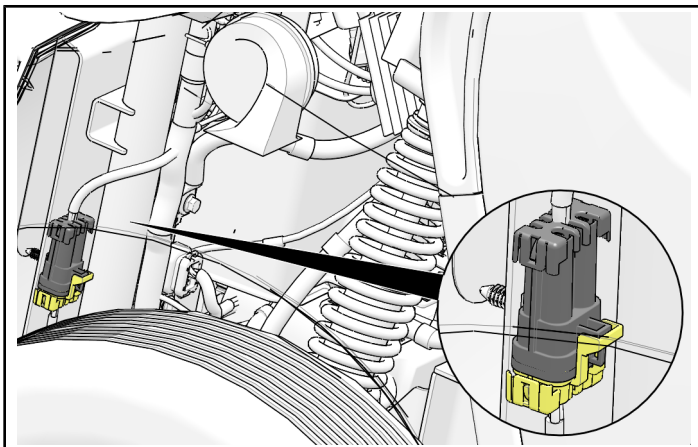
Electrical shock or circuit damage may occur if service disconnect is not disconnected.

1. Carefully pull back tab on main electrical harness connector and disconnect from vehicle main connector as per owner's manual.

- **US: September 2017 and older:**
EU and Canada: December 2017 and older



- **US: October 2017 and newer:**
EU and Canada: January 2018 and newer



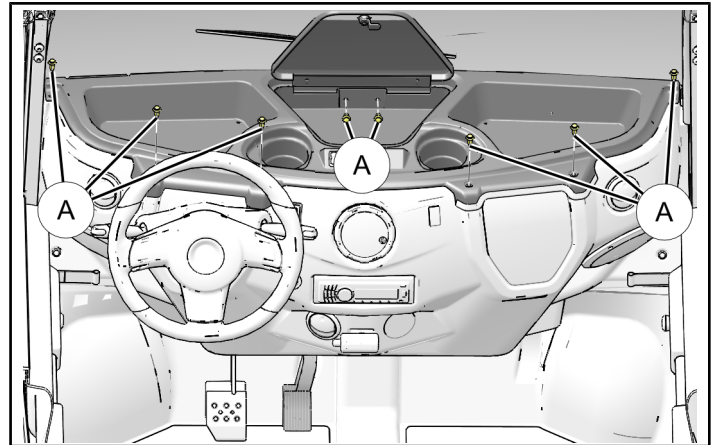
DASH MOUNT INSTALLATION

TOP DASHBOARD REMOVAL

1. Remove and retain all push-pin rivets **A** from top dashboard panel.

NOTE

Two push-pin rivets **A** are located in glove box.



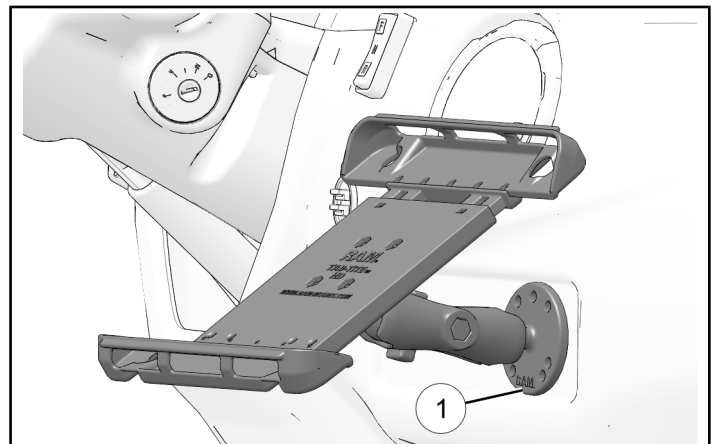
2. Ensure all under-dashboard accessories (if equipped) are disconnected:

- Heater
- Dome Light
- Roof Beacon
- Defrost Heater

3. Remove top dashboard panel from vehicle and set aside.

ALIGNMENT

1. Use tablet mount **1** as a template to mark hole location for each screw.



NOTE

Tablet mount **1** is a template for dash locations only.

2. Drill 4 mounting holes using 7/32 in. (6 mm) drill bit.

IMPORTANT

Control drill depth to prevent damage to underlying structure, components, wiring, lines, ducts, etc.

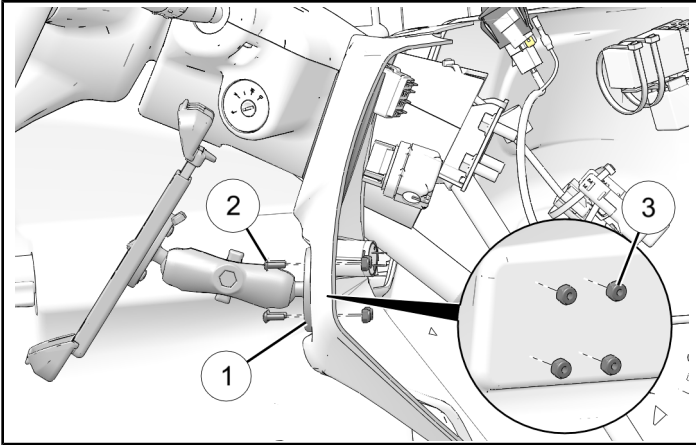
2. Counter hold nuts ③ and torque screws ② to specification.

TORQUE

Tablet Mount Screw ②:
19 in-lbs (2.1 N·m)

INSTALLATION

1. Hold tablet mount ① in place, insert four screws ② and install four nuts ③.

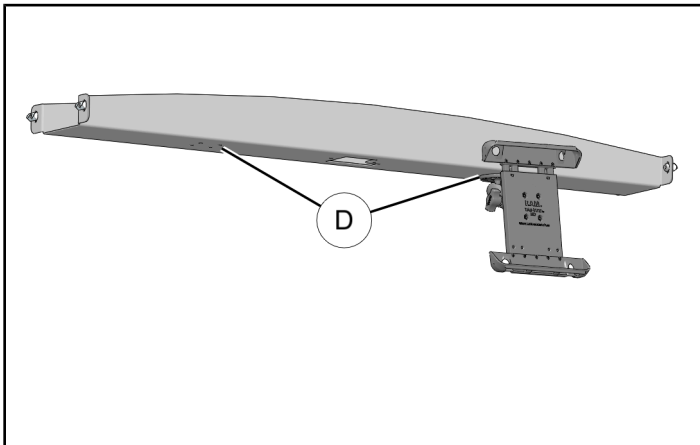


OVERHEAD MOUNT INSTALLATION

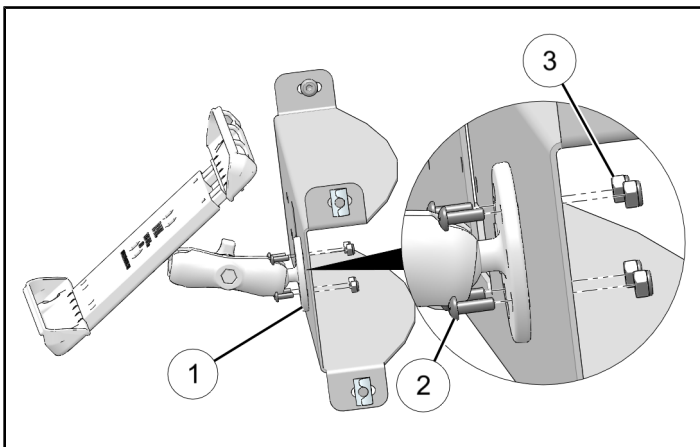
NOTE

Overhead Accessory Mount (PN 2884582) must be uninstalled before attaching tablet mount. Reinstall overhead mount per accessory kit instructions (PN 9930918).

1. Align tablet mount holes ① with pre-drilled holes ② located on left or right side of overhead accessory mount.



2. Hold tablet mount ① in place, insert four screws ② and install four nuts ③.



3. Counter hold nuts ③ and torque screws ② to specification.

TORQUE

Tablet Mount Screws ②:
19 in-lbs (2.1 N·m)

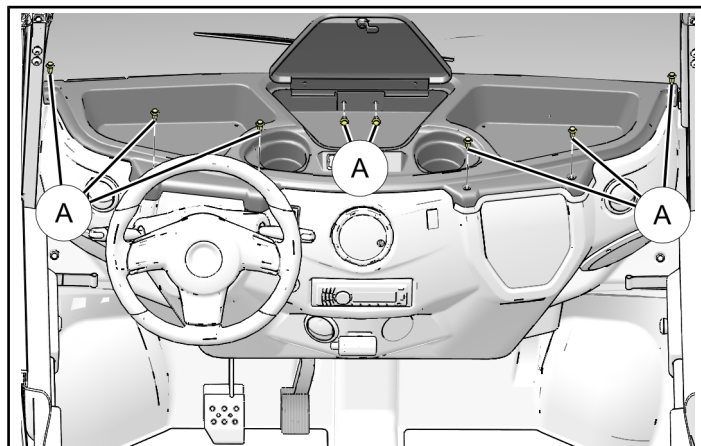
VEHICLE REASSEMBLY

TOP DASHBOARD REINSTALL

1. Set top dashboard panel in vehicle and reconnect all under-dashboard accessories (if equipped):
 - Heater
 - Dome Light
 - Roof Beacon
 - Defrost Heater
2. Use all retained push-pin rivets ① to reinstall dashboard.

NOTE

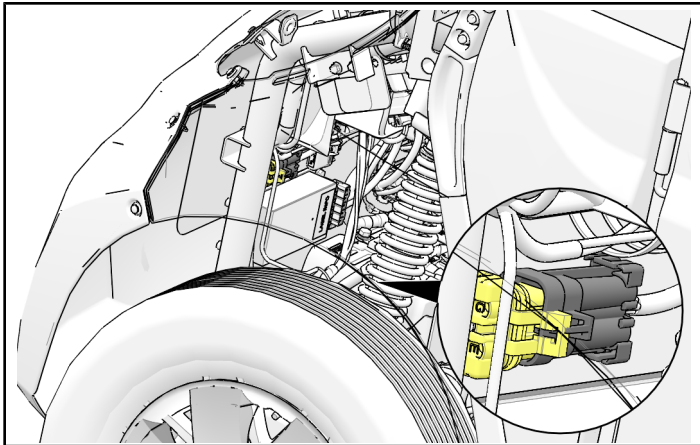
Install two push-pin rivets ① in glove box.



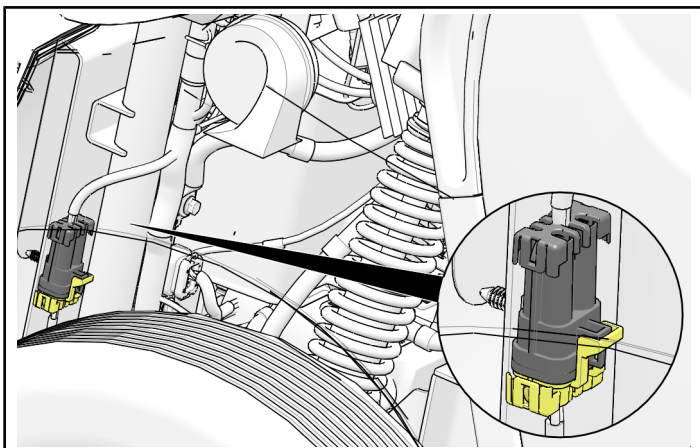
SERVICE RECONNECT

1. Connect main electrical harness connector to charger harness, as per owner's manual.

- **US: September 2017 and older:**
EU and Canada: December 2017 and older



- **US: October 2017 and newer:**
EU and Canada: January 2018 and newer



FEEDBACK FORM

A feedback form has been created for the installer to provide any comments, questions or concerns about the installation instructions. The form is viewable on mobile devices by scanning the QR code or by clicking [HERE](#) if viewing on a PC.

