

# BATTERY WATERING KIT (6V AND 12V)



**P/N 2881635/2881636**

## APPLICATION

2016 GEM e2, e4, e6, and ELXD

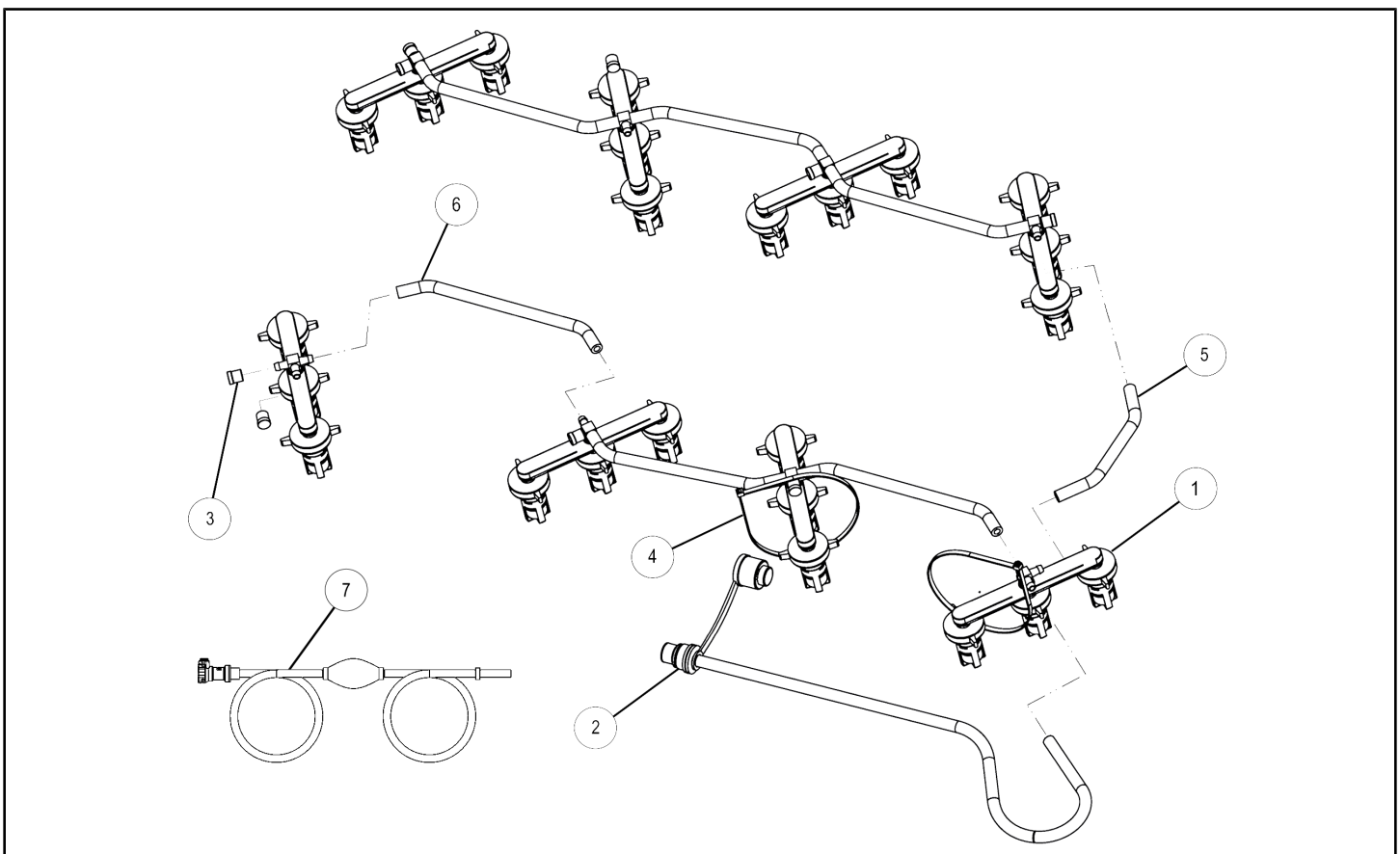
## BEFORE YOU BEGIN

Read these instructions and check to be sure all parts and tools are accounted for. Please retain these installation instructions for future reference and parts ordering information.

## KIT CONTENTS

This Kit includes:

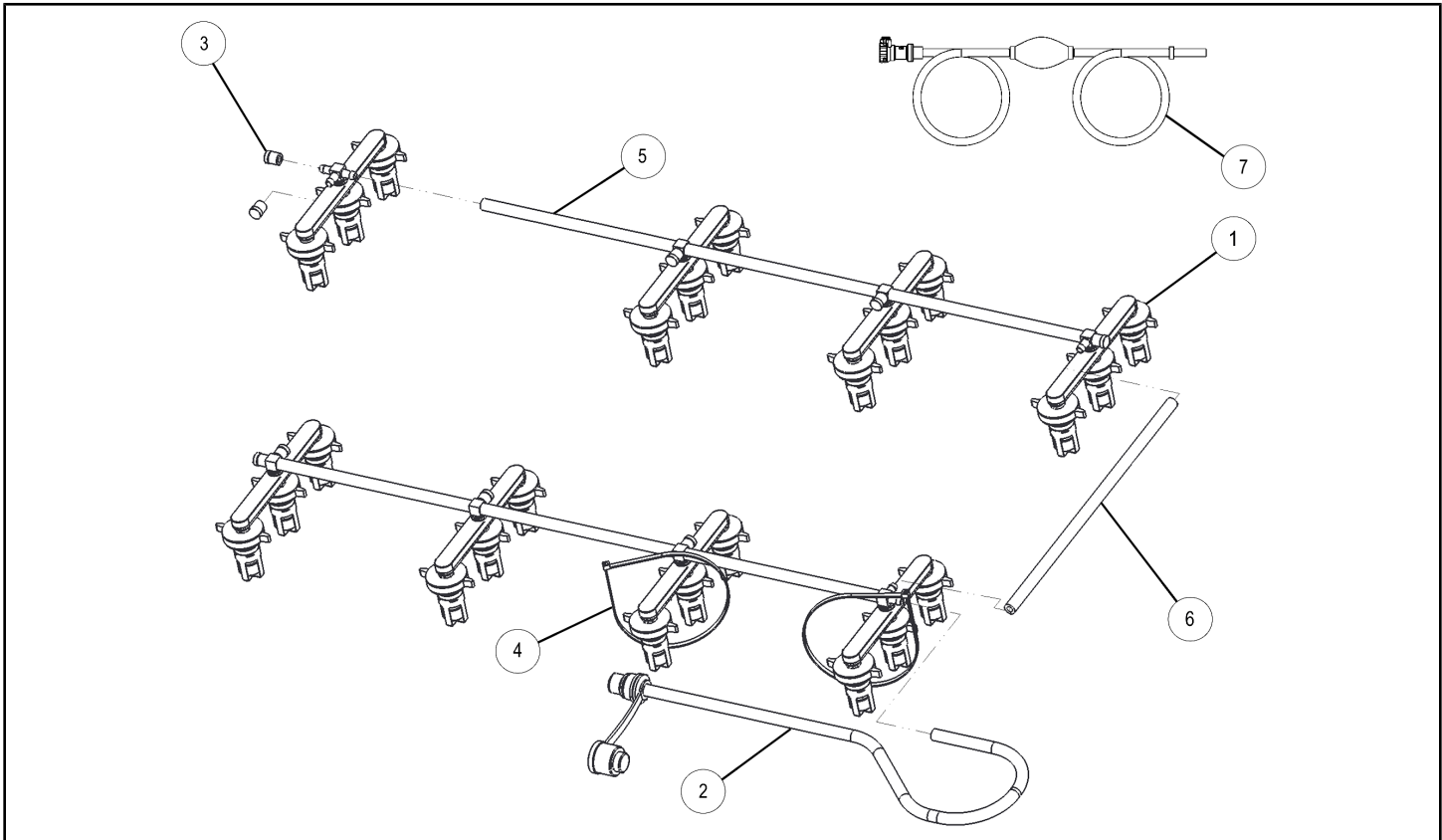
**Kit PN 2881635 (12V)**



REF	QTY	PART DESCRIPTION	PART NUMBER
1	8	Manifold-Battery Fill	2521646
2	1	Assembly-Coupler, Battery Fill	2521647
3	9	Cap-Battery, Fill	5452562
4	2	Panduit Strap, 14"	7080761
5	1	Hose-Battery Fill, 159 mm	8480160-159
6	6	Hose-Battery Fill, 226 mm	8480160-226

REF	QTY	PART DESCRIPTION	PART NUMBER
7	1	Battery-Fill, Hand Pump	4014912
	1	Flo-Rite Instructions	9926800
	1	Instructions	9926792

**Kit PN 2881636 (6V)**



REF	QTY	PART DESCRIPTION	PART NUMBER
1	8	Manifold-Battery Fill	2521646
2	1	Coupler-Battery Fill	2521647
3	9	Cap-Battery, Fill	5452562
4	2	Panduit Strap, 14"	7080761
5	6	Hose-Battery Fill, 205 mm	8480160-205
6	1	Hose-Battery Fill, 312 mm	8480160-312
7	1	Battery-Fill, Hand Pump	4014912
	1	Flo-Rite Instructions	9926800
	1	Instructions	9926792

## TOOLS REQUIRED

- No Tools Required

## IMPORTANT

Your BATTERY WATERING KIT (6V AND 12V) is exclusively designed for your vehicle. Please read the installation instructions thoroughly before beginning. Installation is easier if the vehicle is clean and free of debris. For your safety, and to ensure a satisfactory installation, perform all installation steps correctly in the sequence shown.

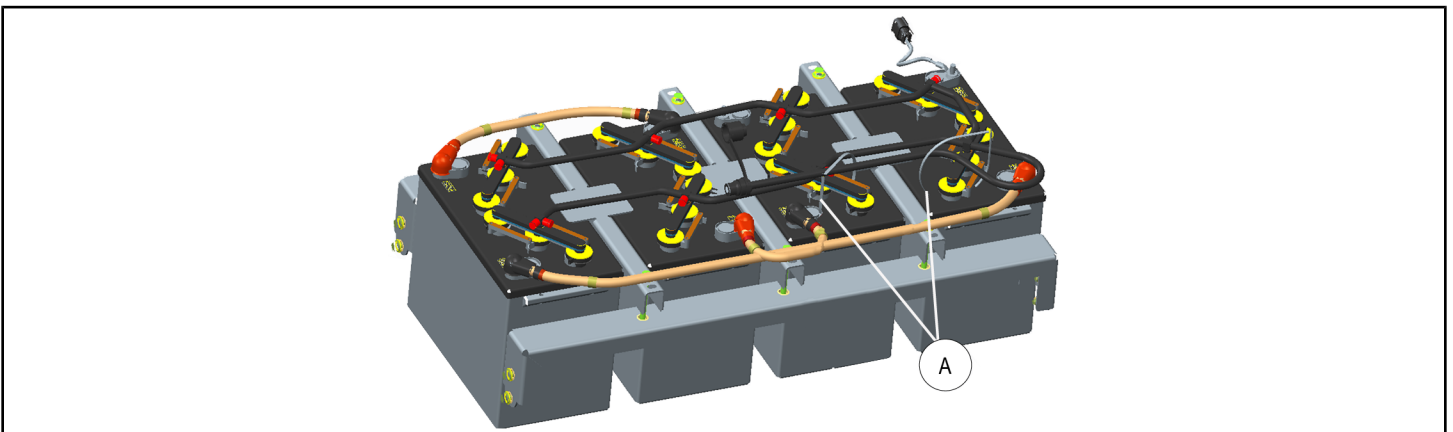
## ASSEMBLY TIME

Approximately 20 minutes

## INSTALLATION INSTRUCTIONS

1. Please reference Flo-Rite Instructions (PN 9926800) for assembly. Once complete, add zip ties (A) at below recommended location.

**Kit PN 2881635 (12V)**



**Kit PN 2881636 (6V)**

