

CHARGER INLET KIT



P/N 2883899

APPLICATION

All 2016 - 2018 GEM® e2, e4, e6®, and eL XD models
Verify accessory fitment at GEMCAR.COM.

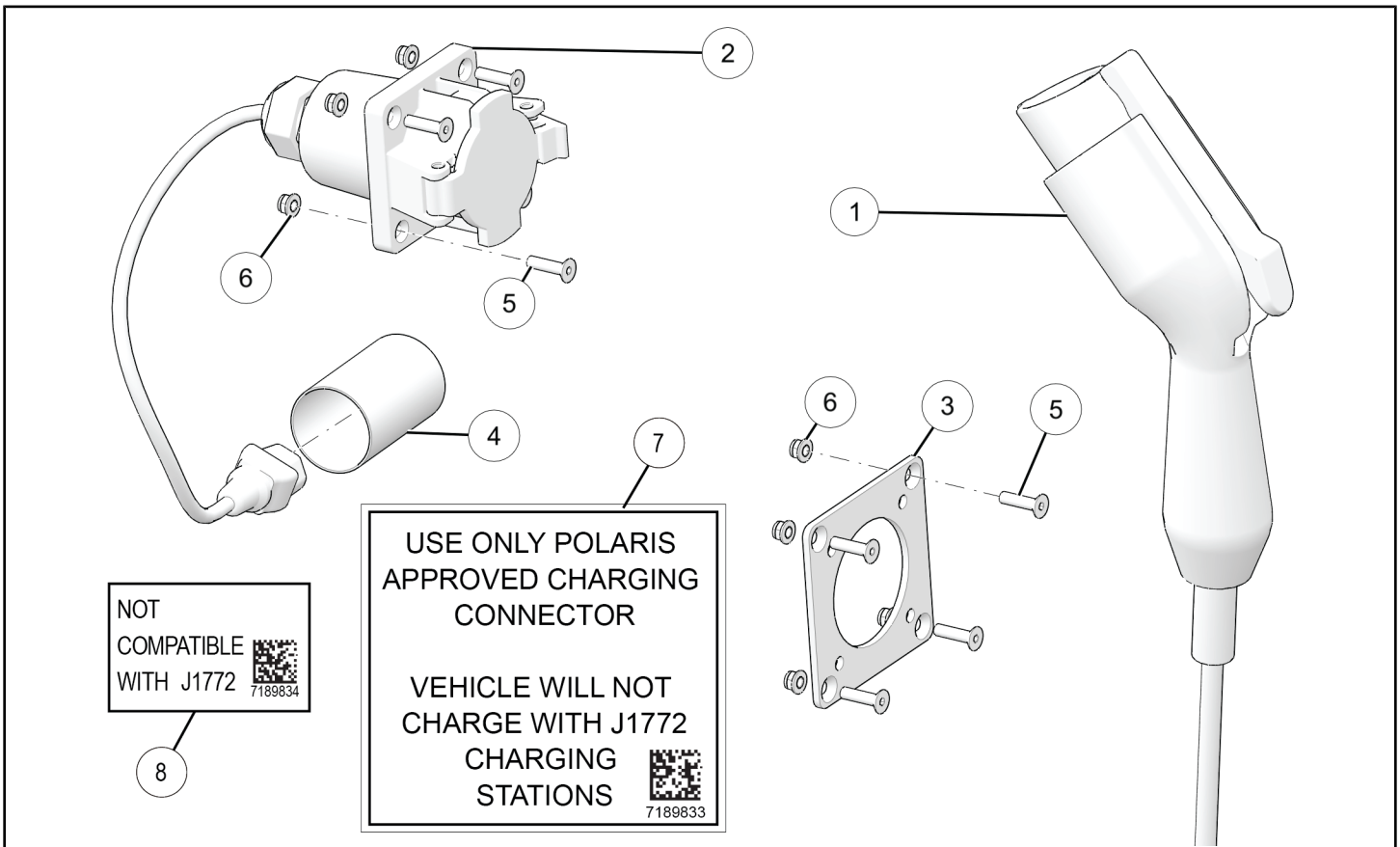
NOTE

This kit cannot be installed on GEM® vehicles equipped with the 3 kW Level 1 charger or 6 kW Level 2 charger.

BEFORE YOU BEGIN

Read these instructions and check to be sure all parts and tools are accounted for. Please retain these installation instructions for future reference and parts ordering information.

KIT CONTENTS



REF	QTY	PART DESCRIPTION	PART NUMBER
1	1	Assembly, Cord, Charger, Standard	2414674
2	1	Assembly, Harness, Charger, Standard	2414675
3	1	Bracket, Inlet	5267012
4	1	Heat Shrink	5521655
5	8	Screw, Flange Head, M5 X 0.8 X 20	7521033

REF	QTY	PART DESCRIPTION	PART NUMBER
6	8	Nut, Hex Flange, M5 X 0.8, Nylon Locking	7547829
7	1	Decal, Charger, Inlet	7189833
8	1	Decal, Charger, Inlet, Cover	7189834
	1	Instructions	9929183

TOOLS REQUIRED

- Safety Glasses
- Rotary Tool
- File, Flat
- File, Round (or equivalent)
- Heat Gun (or equivalent)
- Socket Set, Hex Bit, Metric
- Socket Set, Metric

IMPORTANT

Your Charger Inlet Kit is exclusively designed for your vehicle. Please read the installation instructions thoroughly before beginning. Installation is easier if the vehicle is clean and free of debris. For your safety, and to ensure a satisfactory installation, perform all installation steps correctly in the sequence shown.

INSTALLATION INSTRUCTIONS

VEHICLE PREPARATION

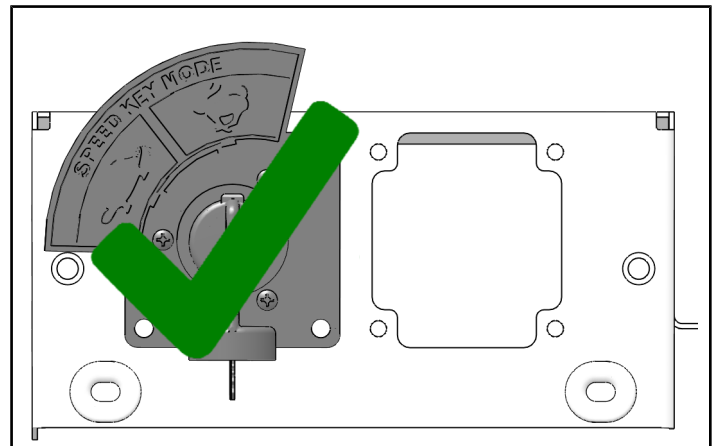
GENERAL

1. Apply parking brake. Turn key to **OFF** position and remove from vehicle.
2. Disconnect main electrical harness and battery as per owner's manual.
3. Remove hood as per owner's manual.
4. Check Speedkey® location, if equipped.

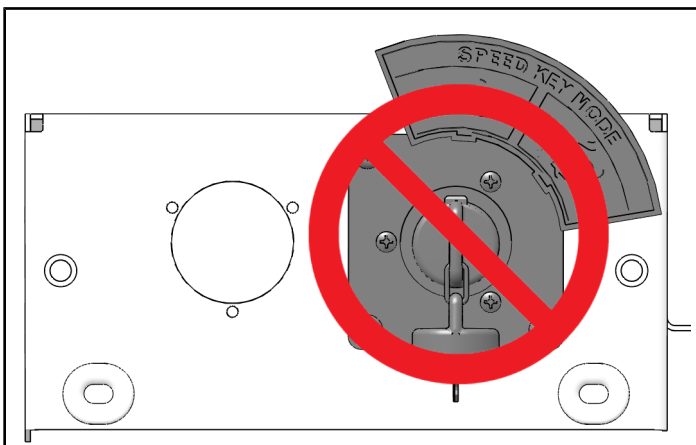
IMPORTANT

Charger Inlet Kit can only be installed in one location. If equipped, Speedkey® may need to be reinstalled in another location before proceeding with this installation. See **Speedkey® Kit** instructions for reinstalling Speedkey®.

- Configuration 2:



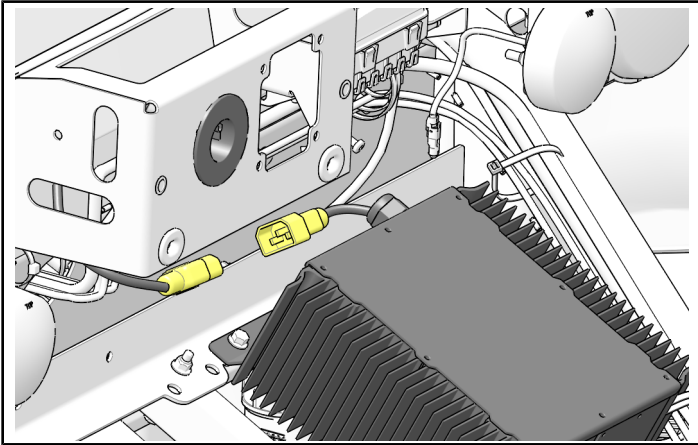
- Configuration 1:



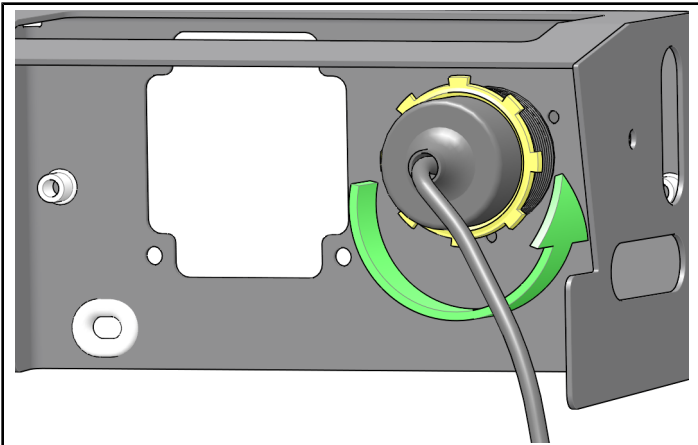
STANDARD CHARGER INLET REMOVAL

CONFIGURATION 1: 2016

1. Disconnect charging inlet connector from standard charger.

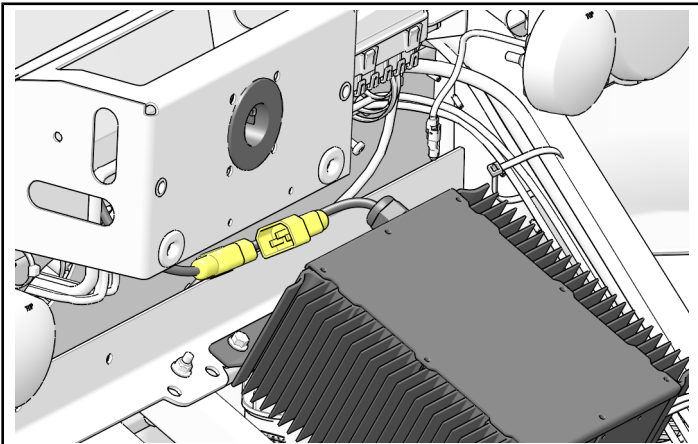


2. Unscrew ring nut from backside of charging inlet. Remove and discard charging inlet assembly.

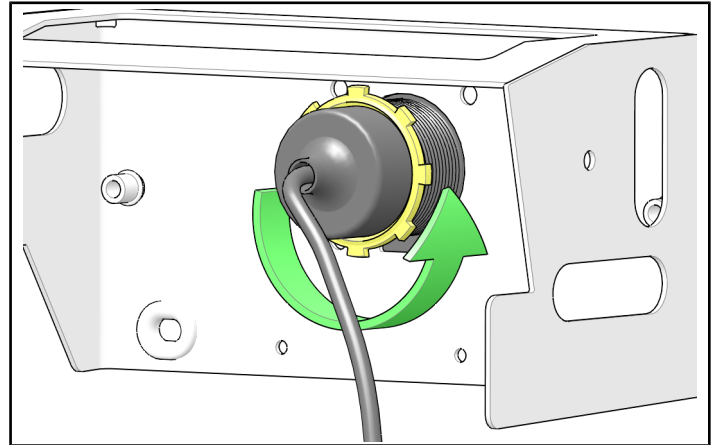


CONFIGURATION 1: 2017 AND NEWER

1. Disconnect charging inlet connector from standard charger.



2. Unscrew ring nut from backside of charging inlet. Remove and discard charging inlet assembly.

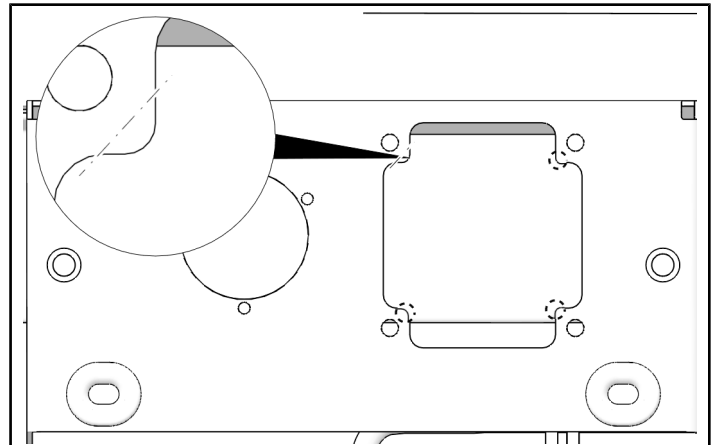


ACCESSORY INSTALLATION

CHARGER INLET INSTALLATION

INLET INSTALLATION: 2016

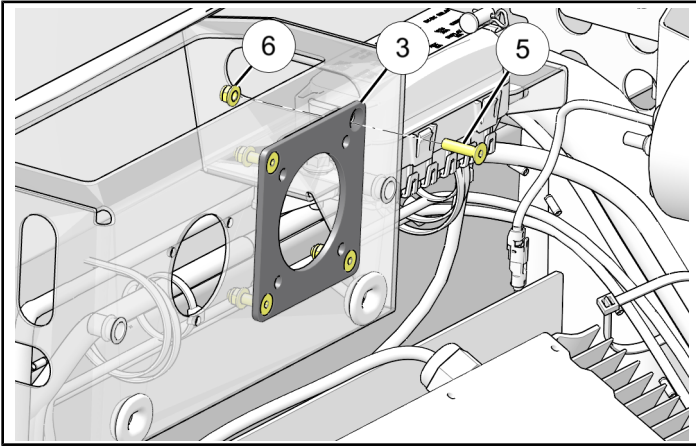
1. Prior to installing inlet bracket ③, portions of charge port bracket must be filed down to provide clearance for nuts. File each marked corner slightly. Test-fit inlet bracket ③ with four screws ⑤ and four nuts ⑥ to determine amount to file.



- Mount inlet bracket ③ onto charge port bracket with four screws ⑤ and four nuts ⑥.

TORQUE

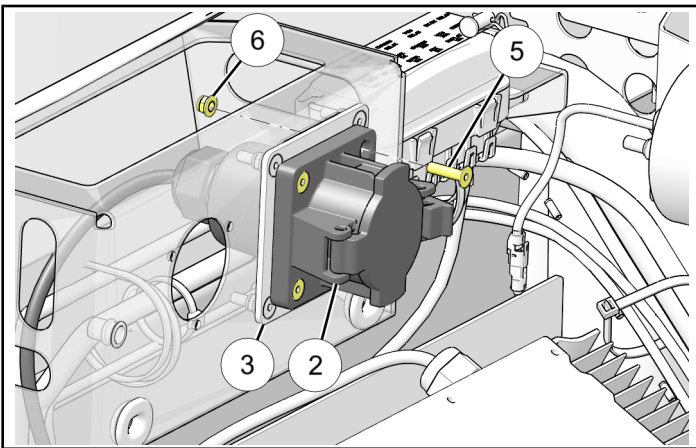
Four screws ⑤: 4 ft. lbs (5 Nm)



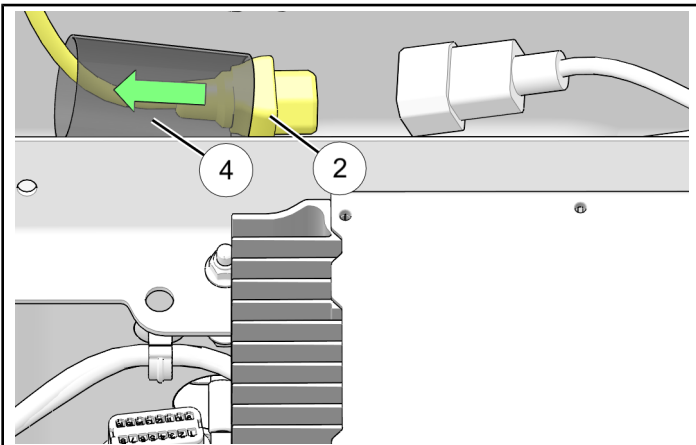
- Mount charger harness assembly ② onto inlet bracket ③ with four screws ⑤ and four nuts ⑥.

TORQUE

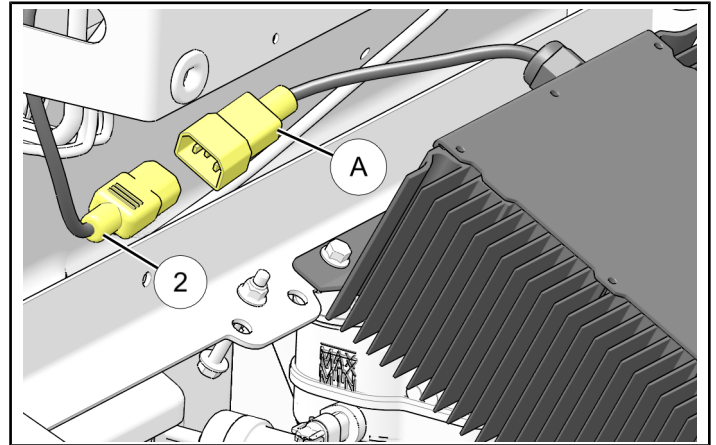
Four screws ⑤: 4 ft. lbs (5 Nm)



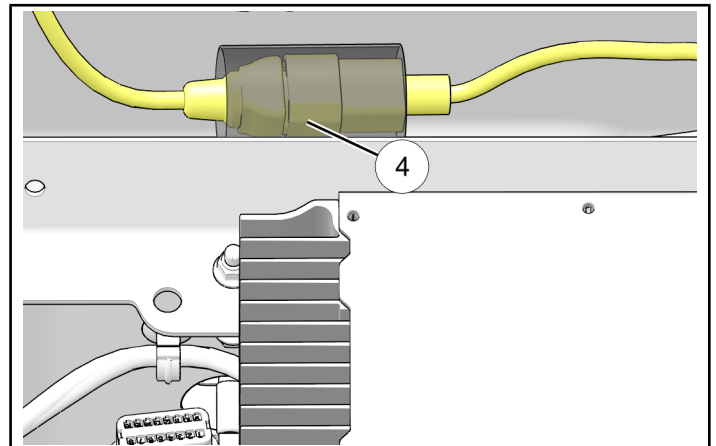
- Place heat shrink ④ over charger harness assembly connector ②.



- Connect charger harness assembly ② to standard charger connector (A).

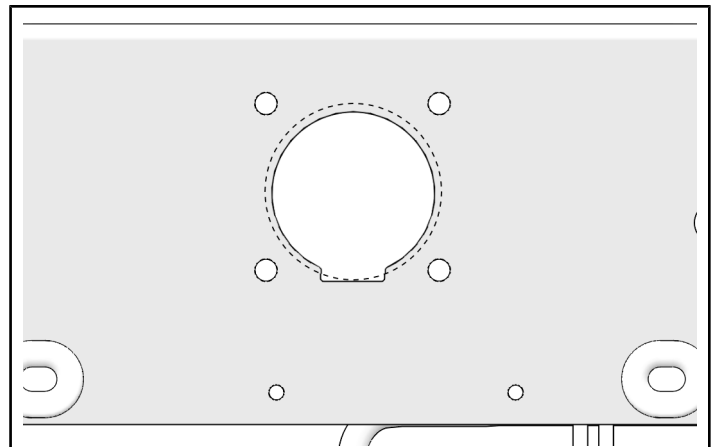


- Center heat shrink ④ over two connectors and use heat gun or equivalent, set on low heat, to seal the connection.



INLET INSTALLATION: 2017 AND NEWER

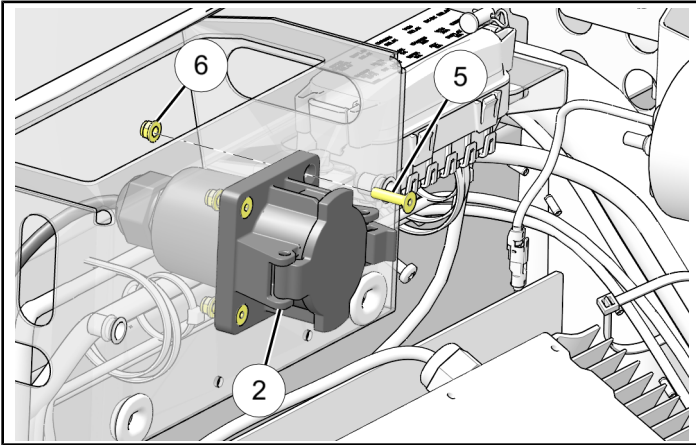
- Enlarge hole in charge-port bracket by approximately 2 mm with rotary tool or equivalent..



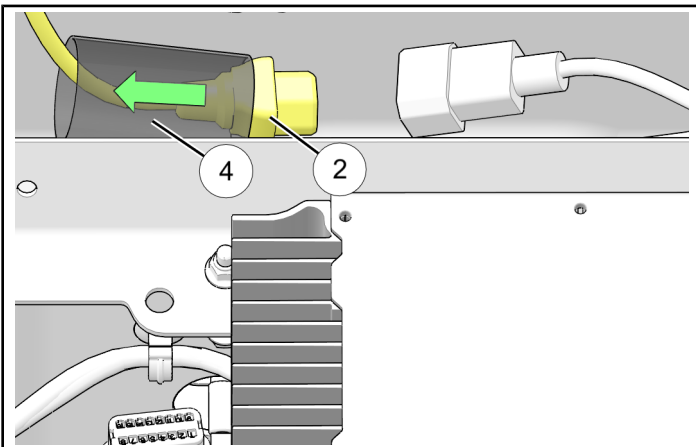
2. Mount charger harness assembly ② charge-port bracket with four screws ⑤ and four nuts ⑥.

TORQUE

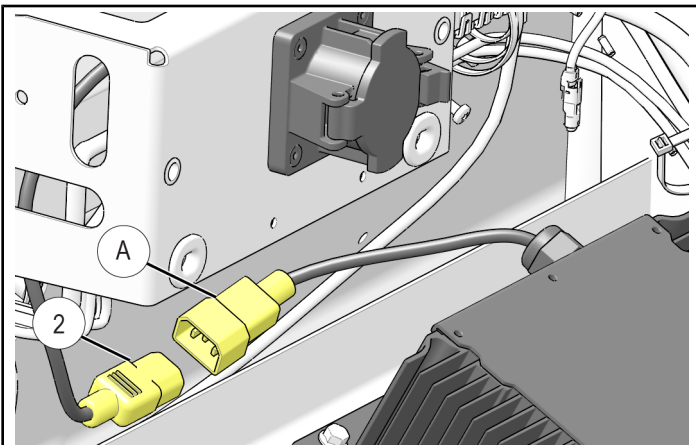
Four screws ⑤: 4 ft. lbs (5 Nm)



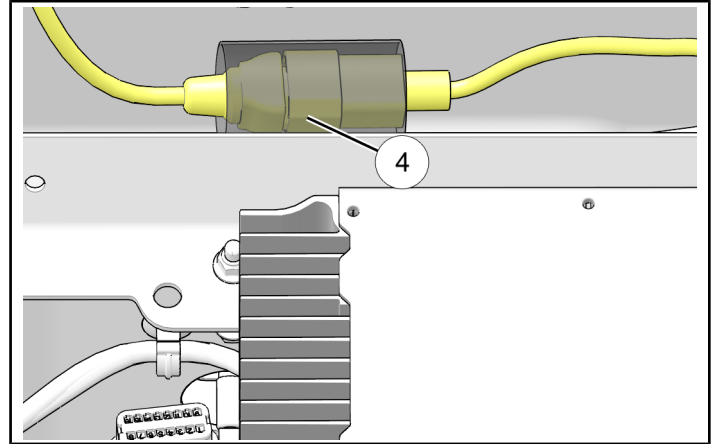
3. Place heat shrink ④ over charger harness assembly connector ②.



4. Connect charger harness assembly ② to standard charger connector (A).



5. Center heat shrink ④ over two connectors and use heat gun or equivalent, set on low heat, to seal the connection.



VEHICLE REASSEMBLY

GENERAL

1. Reinstall hood as per owner's manual.
2. Reconnect main electrical harness and battery as per owner's manual.

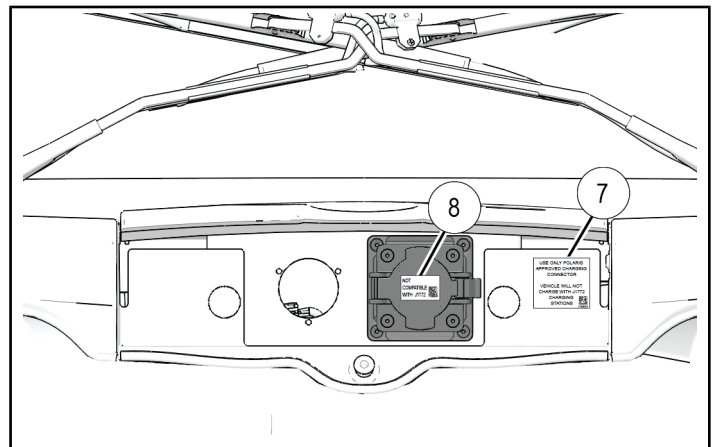
LABEL PLACEMENT

IMPORTANT

Ensure surfaces are cleaned and dry before applying decals.

CONFIGURATION 1: 2016

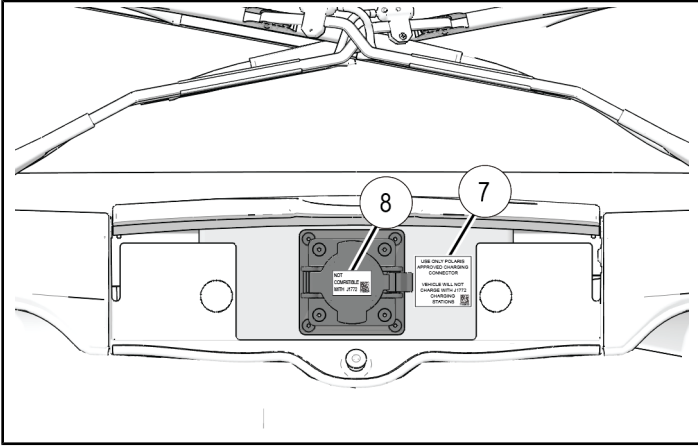
1. Open charge port door.
2. Center inlet cover decal ⑧ on charger inlet cover. Place charger decal ⑦ on hood assembly, to right of charger inlet.



CONFIGURATION 2: 2017 AND NEWER

1. Open charge port door.

- Center inlet cover decal ⑧ on charger inlet cover.
Place charger decal ⑦ on charge-port box, to right of charger inlet.



FEEDBACK FORM

A feedback form has been created for the installer to provide any comments, questions or concerns about the installation instructions. The form is viewable on mobile devices by scanning the QR code or by clicking [HERE](#) if viewing on a PC.

