

# REAR BUMPER KIT



**P/N 2881683**

## APPLICATION

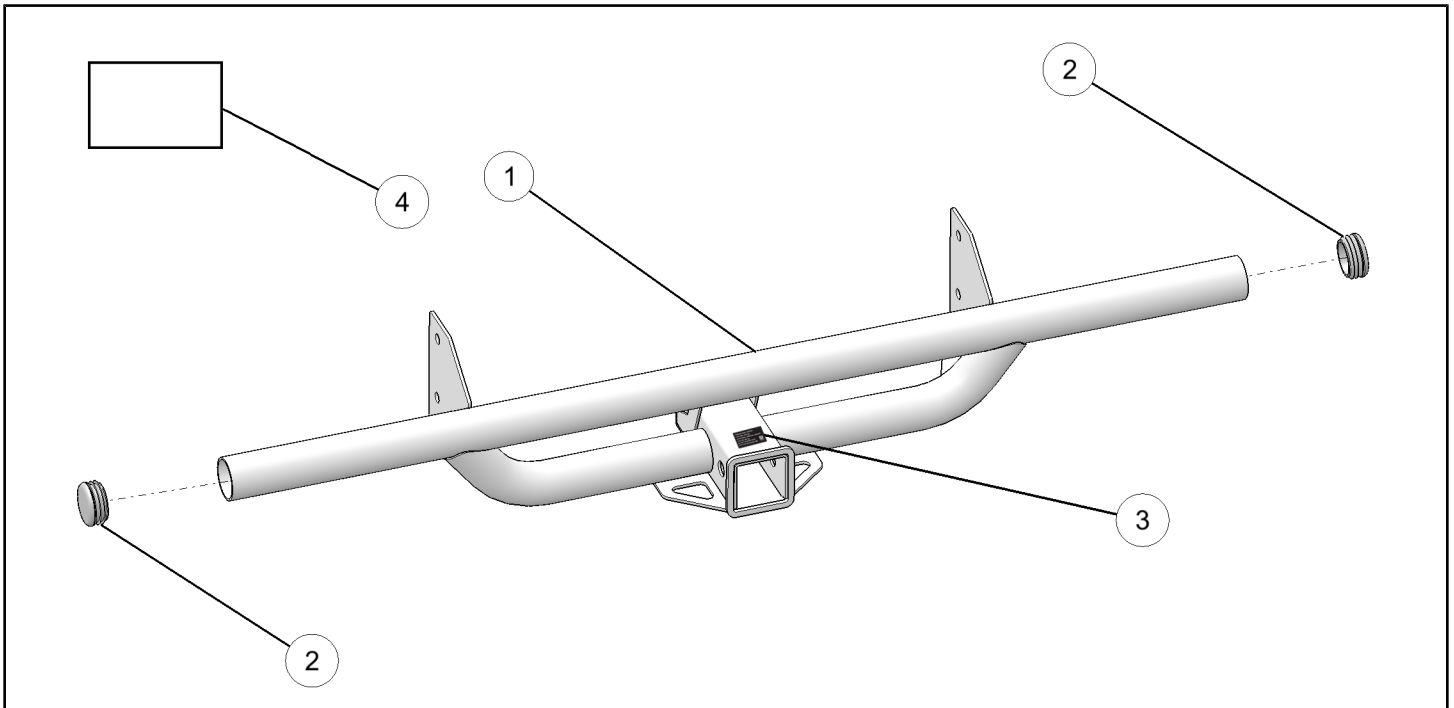
2016 eL XD

## BEFORE YOU BEGIN

Read these instructions and check to be sure all parts and tools are accounted for. Please retain these installation instructions for future reference and parts ordering information.

## KIT CONTENTS

This Kit includes:



REF	QTY	PART DESCRIPTION	PART NUMBER
1	1	Rear Bumper	1021893
2	2	Bumper End Cap	5434191
3	1	Hitch Decal	7184272
4	1	Hitch Warning Instruction	9927135
	1	Instructions	9926764

## TOOLS REQUIRED

- Metric Socket Set
- Standard Socket Set

## IMPORTANT

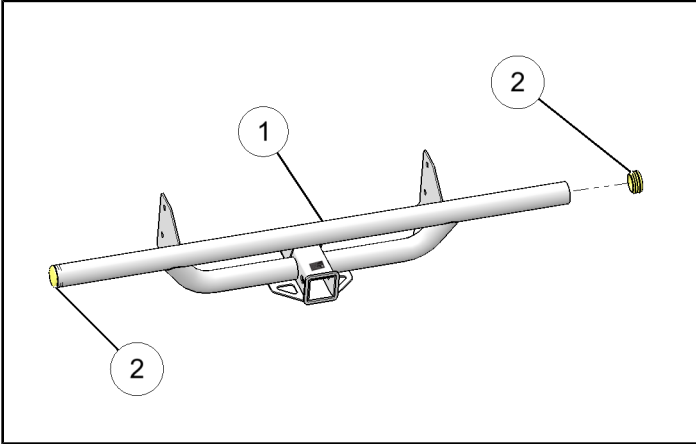
Your REAR BUMPER KIT is exclusively designed for your vehicle. Please read the installation instructions thoroughly before beginning. Installation is easier if the vehicle is clean and free of debris. For your safety, and to ensure a satisfactory installation, perform all installation steps correctly in the sequence shown.

## ASSEMBLY TIME

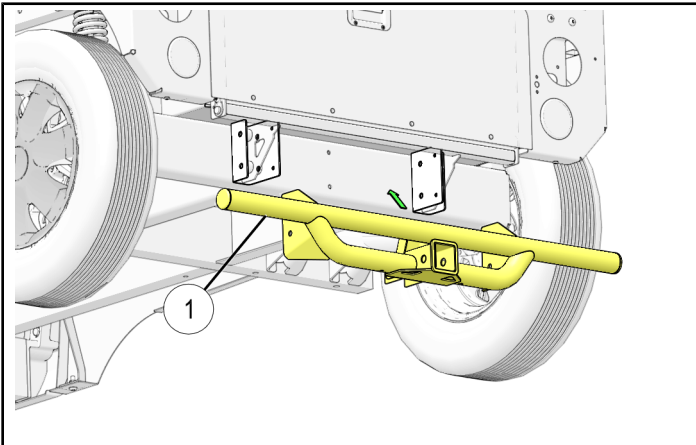
Approximately 15 minutes

## INSTALLATION INSTRUCTIONS

1. Place vehicle in "PARK". Turn key to "OFF" position and remove from vehicle.
2. Install bumper end caps (2) into brush guards of rear bumper (1) as shown.



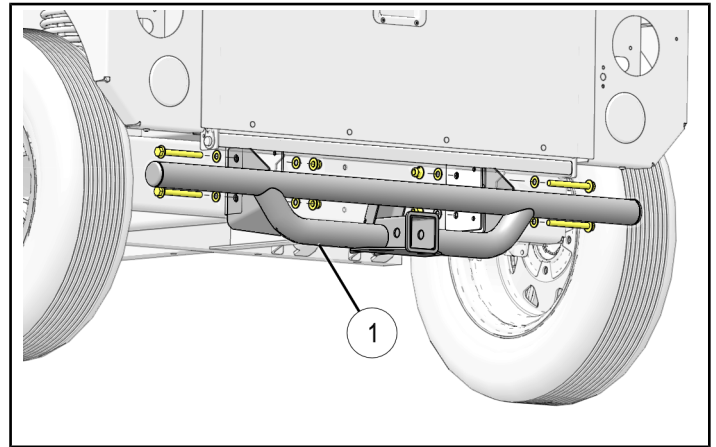
3. Remove existing rear bed support fasteners. Retain the fasteners for reinstallation.
4. Install bumper (1) by positioning bumper mounting brackets to rear section of the bed frame.



5. Reinstall bed support bolts and nuts as shown. The bumper (1) should now hold itself in place. Torque bolts to specification.

## TORQUE

37 ft. lbs. (23 Nm)



## CAUTION

Hitch NOT equipped for On-Road Towing  
DO NOT use on Road  
Trailer Max. Weight: 1100 lbs. (499 Kg)  
Hitch Max. Vertical Weight: 150 lbs. (68 Kg)  
DO NOT exceed GVW