

SHORT BED KIT



P/N 2881502

APPLICATION

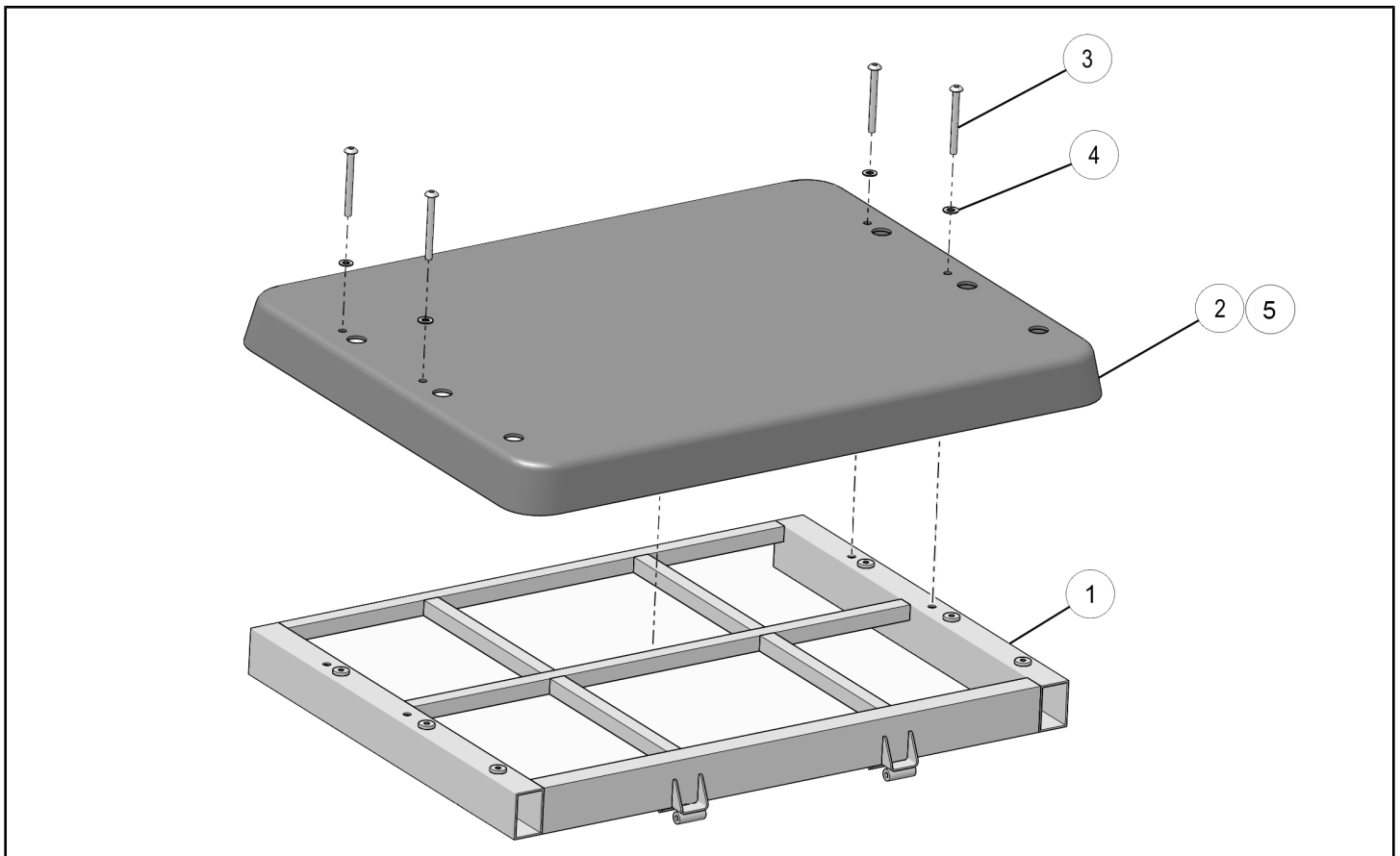
2016 GEM E2, E4 and E6

BEFORE YOU BEGIN

Read these instructions and check to be sure all parts and tools are accounted for. Please retain these installation instructions for future reference and parts ordering information.

KIT CONTENTS

This Kit includes:



REF	QTY	PART DESCRIPTION	PART NUMBER
1	1	Weld Frame, Short Bed	1021455
2	1	Plastic-Short Bed	5452259
3	4	Screw - M10 X 1.5 X 105	7520328
4	4	Washer - 10.5 X 30 X 2.5	7556973
5	1	Decal - Cargo Limit, Bed	7183756
	1	Instructions	9926532

TOOLS REQUIRED

- Safety Glasses
- Torx Set and Ratchet

IMPORTANT

Your SHORT BED KIT is exclusively designed for your vehicle. Please read the installation instructions thoroughly before beginning. Installation is easier if the vehicle is clean and free of debris. For your safety, and to ensure a satisfactory installation, perform all installation steps correctly in the sequence shown.

ASSEMBLY TIME

Approximately 5 minutes

INSTALLATION INSTRUCTIONS

1. Place vehicle in "PARK". Turn key to "OFF" position and remove from vehicle.
2. Mount short bed ② onto rear deck of vehicle. Align bushings of short bed weldment to chassis bushings. Install bolts ③ and washers ④. Torque fasteners to following specification.

NOTE

27 ft. lbs. (36.6 Nm)

