

TRUNKBACK KIT



P/N 2881504

APPLICATION

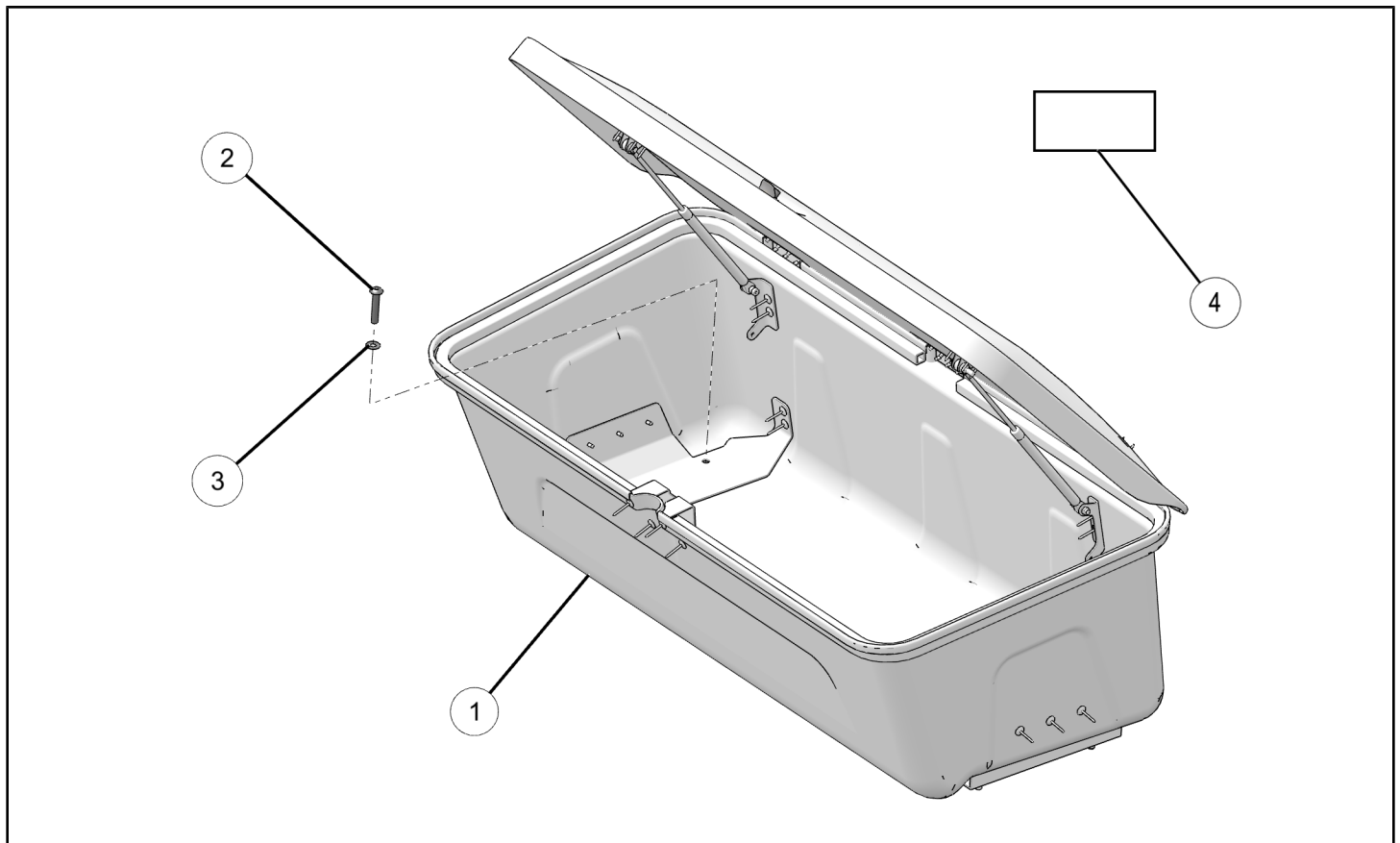
2016 GEM e2, e4, and e6

BEFORE YOU BEGIN

Read these instructions and check to be sure all parts and tools are accounted for. Please retain these installation instructions for future reference and parts ordering information.

KIT CONTENTS

This Kit includes:



REF	QTY	PART DESCRIPTION	PART NUMBER
1	1	Box Assembly, Trunkback	2635840
2	4	Bolt, Truss - M10 X 55	7520329
3	4	Washer - 10.5 X 22 X 1.6	7556155
4	1	Decal	7183756
	1	Instructions	9926534

TOOLS REQUIRED

- Safety Glasses
- Metric Socket Set and Ratchet

IMPORTANT

Your TRUNKBACK KIT is exclusively designed for your vehicle. Please read the installation instructions thoroughly before beginning. Installation is easier if the vehicle is clean and free of debris. For your safety, and to ensure a satisfactory installation, perform all installation steps correctly in the sequence shown.

ASSEMBLY TIME

Approximately 10 minutes

INSTALLATION INSTRUCTIONS

1. Place vehicle in "PARK". Turn key to "OFF" position and remove from vehicle.
2. Mount trunkback ① using bolts ② and washers ③. Torque bolts ② to below specification.
3. Final installation of trunkback kit is as shown below.

TORQUE

27 ft. lbs. (36.6 Nm)

