

# SIDE TOOLBOX KIT



**P/N 2881633**

## APPLICATION

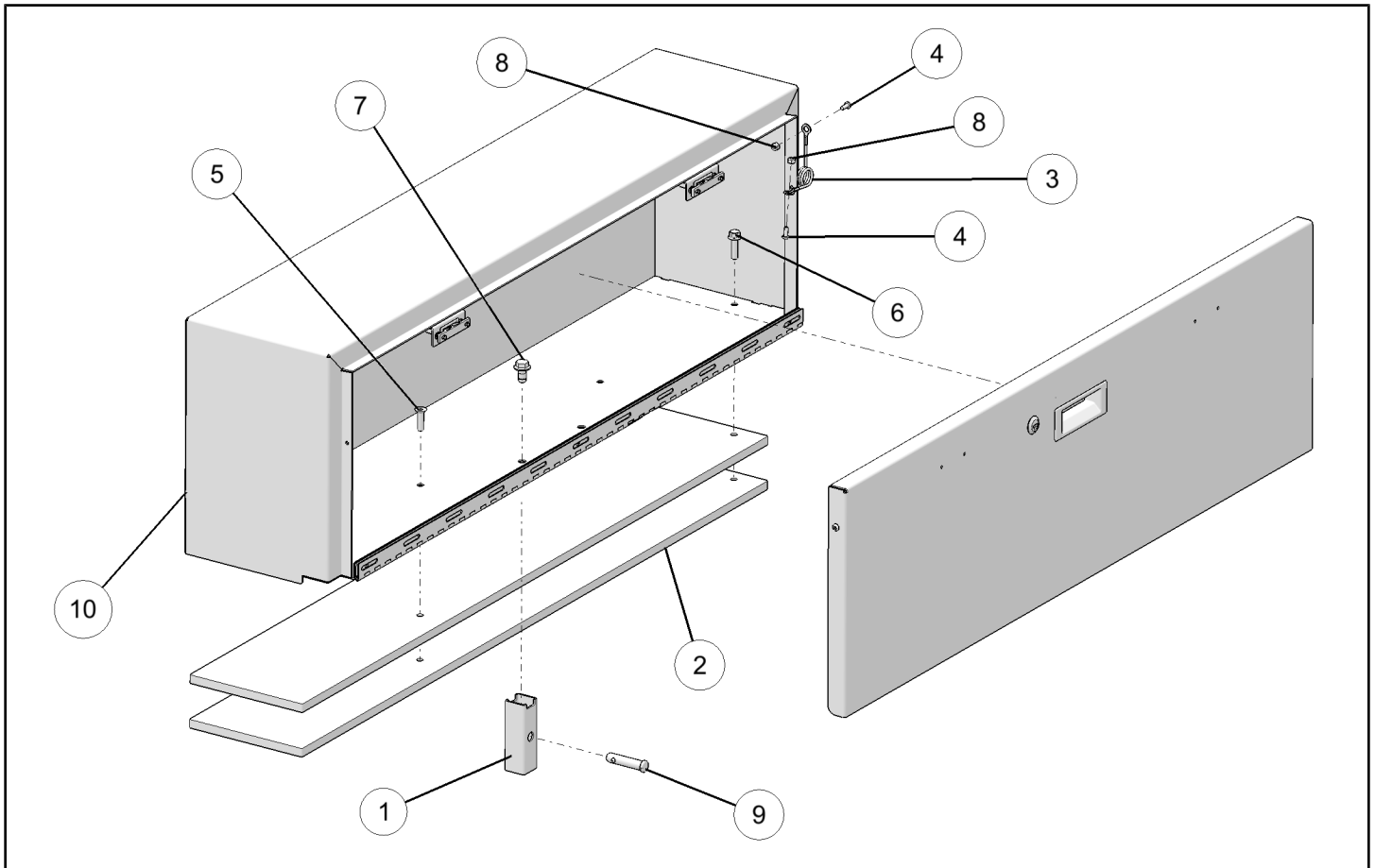
2016 GEM eL XD

## BEFORE YOU BEGIN

Read these instructions and check to be sure all parts and tools are accounted for. Please retain these installation instructions for future reference and parts ordering information.

## KIT CONTENTS

This Kit includes:



REF	QTY	PART DESCRIPTION	PART NUMBER
1	1	Lock and Work Adapter	1020354
2	2	Side Floor Panel	5452589
3	2	Trunk Cable, Lid	7082053
4	4	Screw - #10-24X1 /2PH	7512024
5	1	Screw - M8 X 1.25 X 30	7518250
6	1	Screw - M8 X 1.25 X 30, HXFL	7518884
7	1	Screw - M10 X 1.5 X 20, HXFL	7519905

REF	QTY	PART DESCRIPTION	PART NUMBER
8	4	Nyloc Nut	7541925
9	1	Detent Pin	7662293
10	1	Side Tool Box Assembly	2635870
	1	Instructions	9926722

## TOOLS REQUIRED

- Metric Wrench Set and Ratchet
- Internal Hex Set

## IMPORTANT

Your SIDE TOOLBOX KIT is exclusively designed for your vehicle. Please read the installation instructions thoroughly before beginning. Installation is easier if the vehicle is clean and free of debris. For your safety, and to ensure a satisfactory installation, perform all installation steps correctly in the sequence shown.

## ASSEMBLY TIME

Approximately 30 minutes

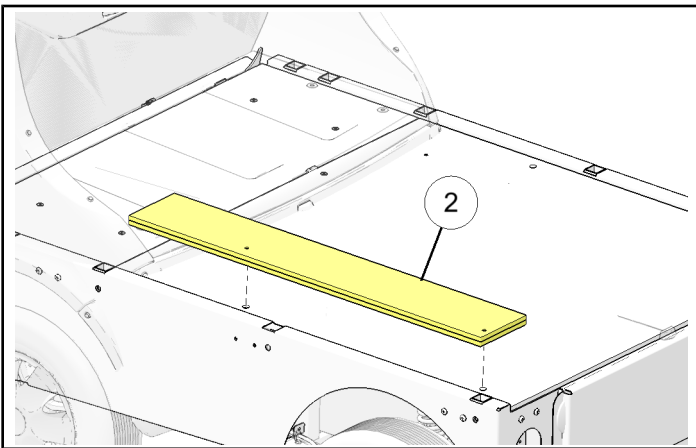
## INSTALLATION INSTRUCTIONS

1. Side toolbox kit can be installed on either side of the bed.

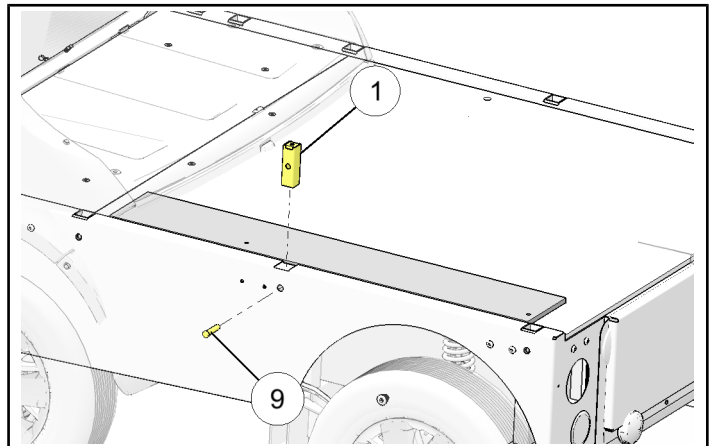
### NOTE

If installing on a flat bed or covered recessed bed, use one side floor panel ② per side toolbox. If used on an open recessed bed, use two side floor panels per side toolbox.

2. On chosen bed side, place side floor panel ② onto bed by aligning holes as shown.



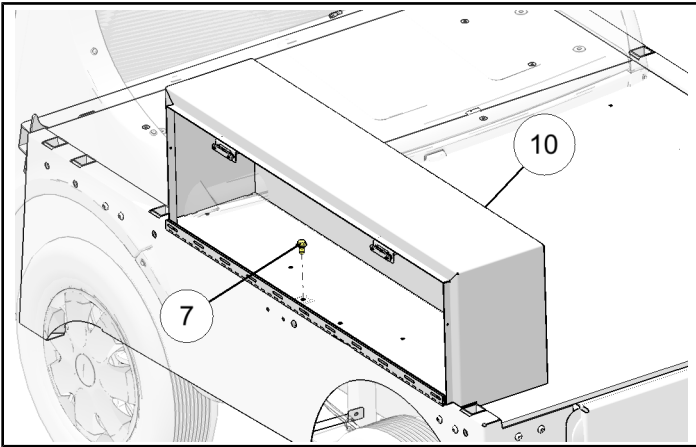
3. Insert lock and work adapter ① into bed location as shown. Lock in place with detent pin ⑨.



4. Mount toolbox ⑩ with bolt ⑦. Torque to below specification.

**TORQUE**

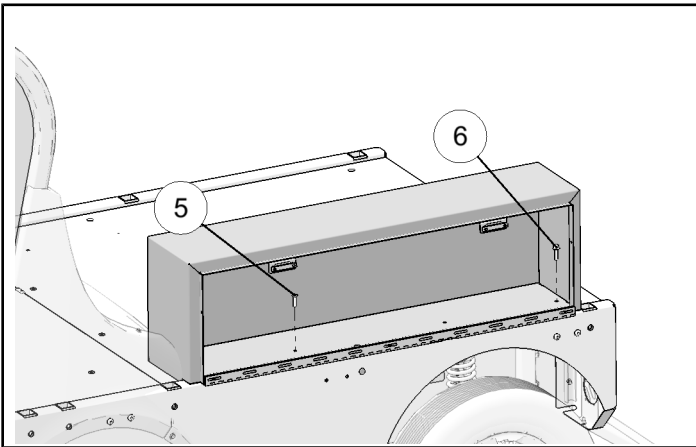
10 ft. lbs. (13.56 Nm)



5. Insert remaining two bolts ⑤ and ⑥ in open holes, and torque to below specification.

**TORQUE**

18 ft. lbs. (24.4 Nm)



6. Final kit installation is as shown below.

