

COVERED TRUCK BED KIT



P/N 2881681

APPLICATION

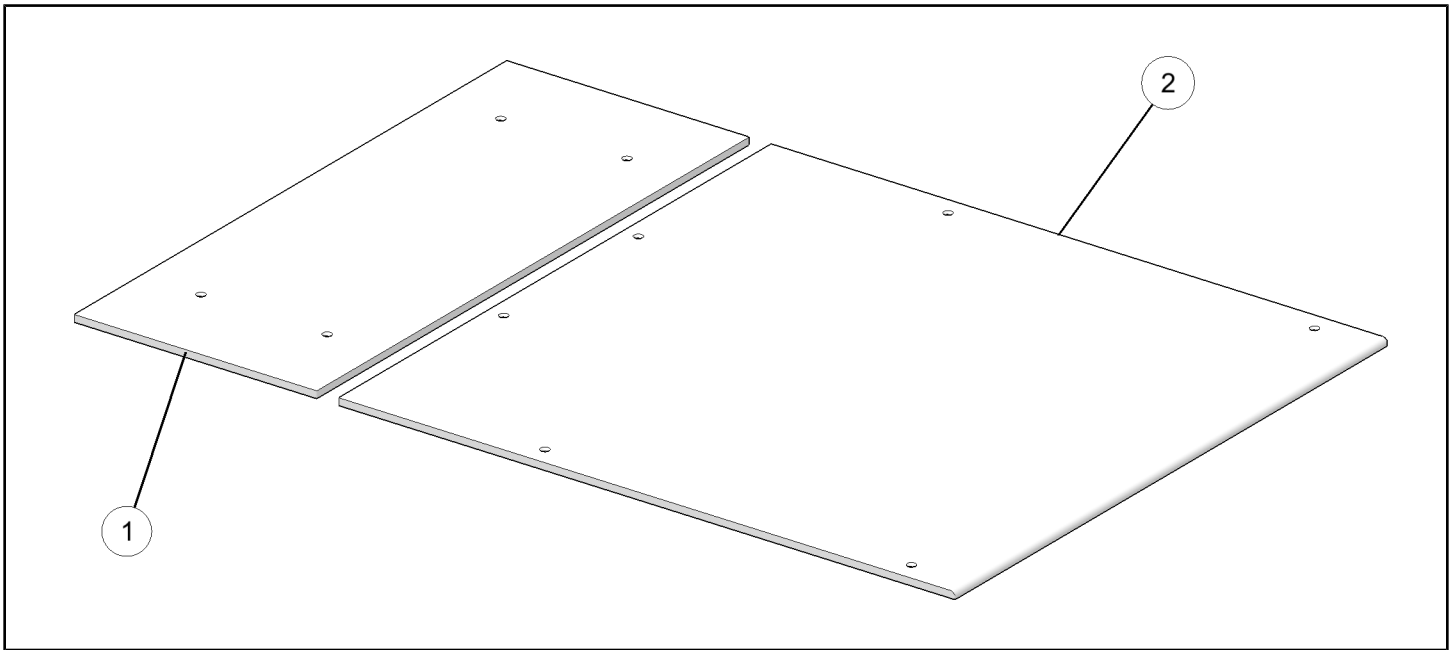
MY16 GEM eL XD

BEFORE YOU BEGIN

Read these instructions and check to be sure all parts and tools are accounted for. Please retain these installation instructions for future reference and parts ordering information.

KIT CONTENTS

This Kit includes:



| REF | QTY | PART DESCRIPTION | PART NUMBER |
|-----|-----|--------------------|-------------|
| 1 | 1 | Floor Panel, Small | 5452534 |
| 2 | 1 | Floor Panel, Large | 5452535 |
| | 1 | Instructions | 9926762 |

TOOLS REQUIRED

- Torx®/Hex Wrench Set

IMPORTANT

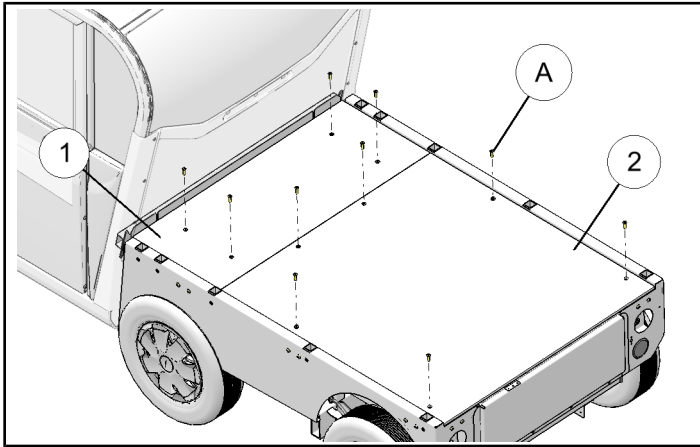
Your COVERED TRUCK BED KIT is exclusively designed for your vehicle. Please read the installation instructions thoroughly before beginning. Installation is easier if the vehicle is clean and free of debris. For your safety, and to ensure a satisfactory installation, perform all installation steps correctly in the sequence shown.

ASSEMBLY TIME

Approximately 10 minutes

INSTALLATION INSTRUCTIONS

1. Remove ten fasteners (A) from top of bed as shown. Place bed surface small floor panel ① and large floor panel ② in place. Be sure to orient the boards with the bed liner surface up as indicated by the counter bored holes.



2. Reinstall bed surface fasteners (A) removed in previous step. Tighten them by hand (without damage to the bed covers).