

STAKE SIDE KIT



P/N 2881682

APPLICATION

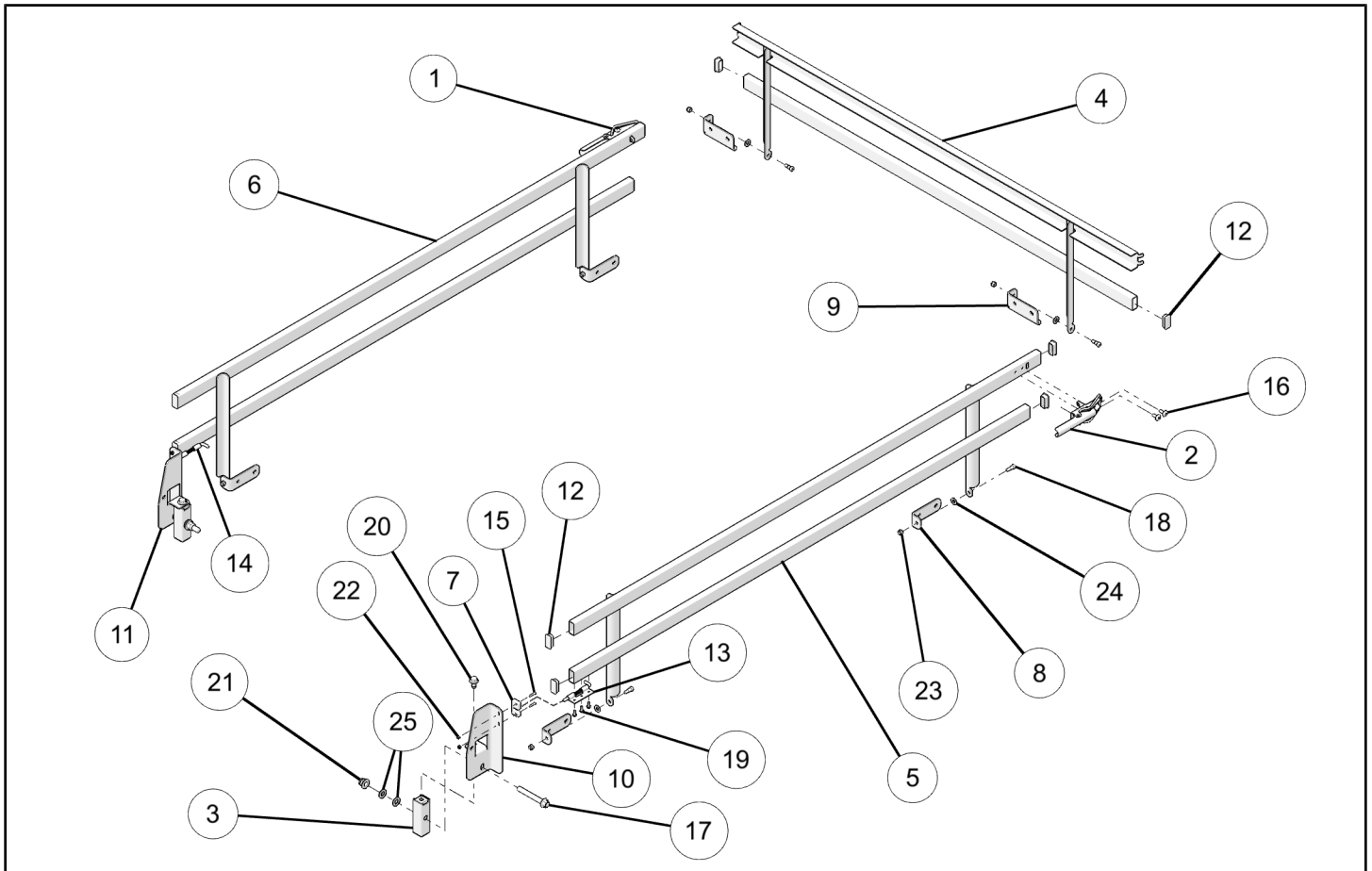
2016 eL XD

BEFORE YOU BEGIN

Read these instructions and check to be sure all parts and tools are accounted for. Please retain these installation instructions for future reference and parts ordering information.

KIT CONTENTS

This Kit includes:



| REF | QTY | PART DESCRIPTION | PART NUMBER |
|-----|-----|------------------------------|-------------|
| 1 | 1 | Latch, Tailgate Assembly, LH | 1018849 |
| 2 | 1 | Latch, Tailgate Assembly, RH | 1018850 |
| 3 | 2 | Tube Adapter | 1020354 |
| 4 | 1 | Stakeback, Tailgate | 1022029 |
| 5 | 1 | Stakeback, Side, LH | 1022030 |
| 6 | 1 | Stakeback, Side, RH | 1022031 |
| 7 | 2 | Latch-Slam, Hinged Stakeback | 2634781 |

| REF | QTY | PART DESCRIPTION | PART NUMBER |
|-----|-----|--------------------------------------|-------------|
| 8 | 4 | Hinge Bracket, Side | 5261922 |
| 9 | 2 | Hinge Bracket, Rear | 5261923 |
| 10 | 1 | Mount Bracket, Stakeback, LH | 5261924 |
| 11 | 1 | Mount Bracket, Stakeback, RH | 5261925 |
| 12 | 10 | Plug | 5439671 |
| 13 | 1 | Spring Latch, LH | 7043869 |
| 14 | 1 | Spring Latch, RH | 7043870 |
| 15 | 4 | Screw - #6 - 32, 0.750 | 7511878 |
| 16 | 4 | Screw - 1/4 - 20 X 0.75 | 7518280 |
| 17 | 2 | Screw - Hex Flange - M12 X 1.75 X 90 | 7518705 |
| 18 | 6 | Bolt - 0.25 X 20 X 0.44 | 7519677 |
| 19 | 6 | Screw - #10 - 16 X 0.50 | 7519678 |
| 20 | 2 | Screw - Hex Flange - M10 X 1.5 X 20 | 7519905 |
| 21 | 2 | Nut - Hex Flange - M12 X 1.75 | 7547441 |
| 22 | 4 | Nut - Hex - 6 X 32 | 7547624 |
| 23 | 6 | Nut - Hex - 0.25 X 20 | 7547637 |
| 24 | 6 | Washer - 0.344 X 0.750 X 0.050 | 7556716 |
| 25 | 4 | Washer - 13 X 24 X 2.5 | 7556948 |
| | 1 | Instructions | 9926763 |

TOOLS REQUIRED

- Standard Socket Set

IMPORTANT

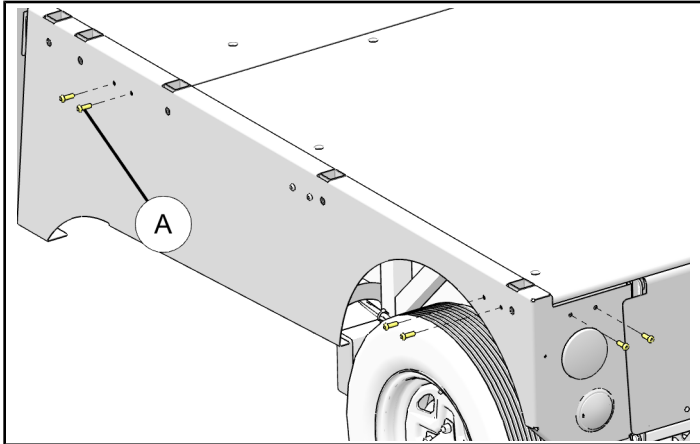
Your STAKE SIDE KIT is exclusively designed for your vehicle. Please read the installation instructions thoroughly before beginning. Installation is easier if the vehicle is clean and free of debris. For your safety, and to ensure a satisfactory installation, perform all installation steps correctly in the sequence shown.

ASSEMBLY TIME

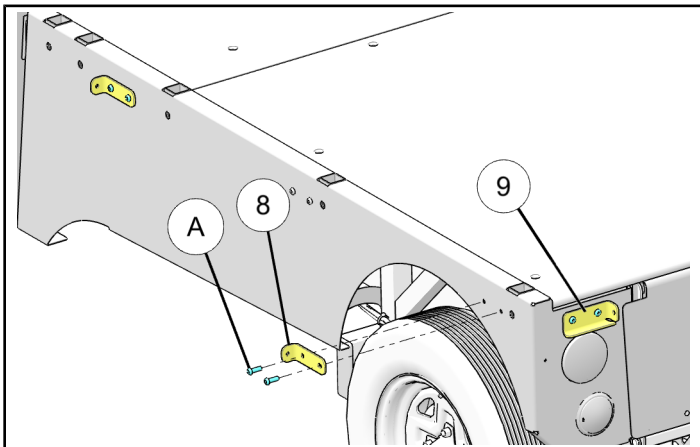
Approximately 30 minutes

INSTALLATION INSTRUCTIONS

1. Remove existing screws (A) on both sides and rear of the bed. Retain screws for reuse.



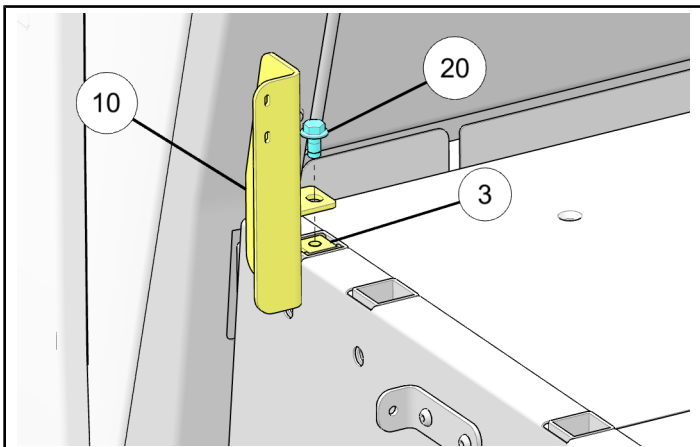
2. Install brackets (8) (LH and RH) on both sides of the bed and brackets (9) on rear using retained screws (A).



3. Install mount bracket (10) and tube adapter (3) on bed using screw (20) as shown. Repeat same on RH side of vehicle. Before torquing screws to below specification, see Step 12.

TORQUE

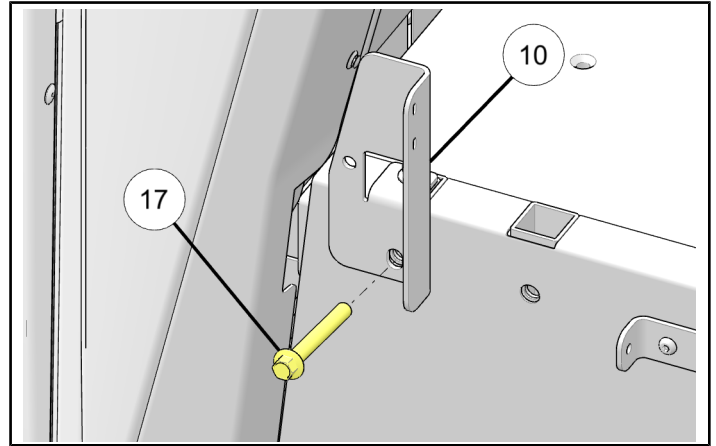
14 lb-ft (19 Nm)



4. Install screw (17) onto the mount bracket (10) on both sides of bed. Before torquing screws to below specification, see Step 12.

TORQUE

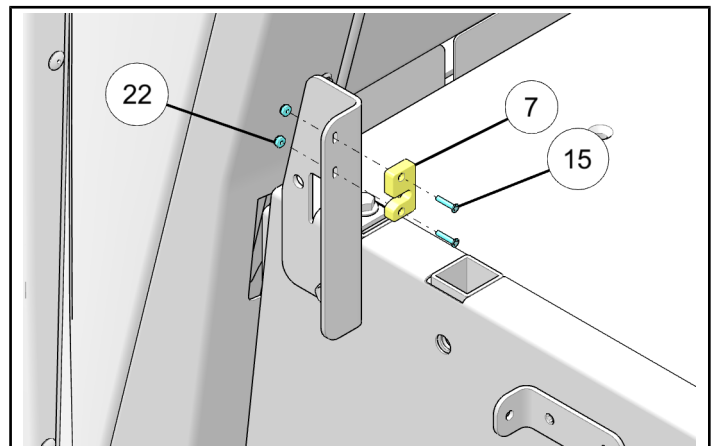
32 lb-ft (43.3 Nm)



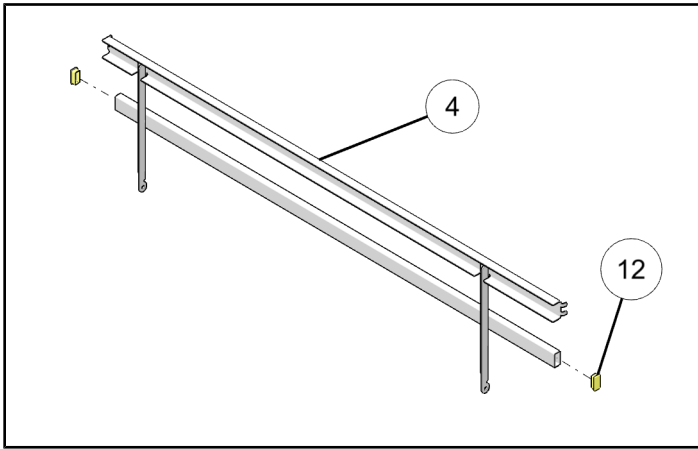
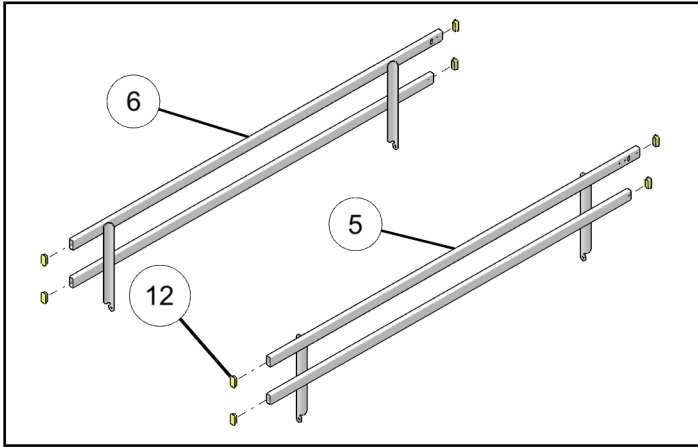
5. Install latch (7) onto the mount bracket using screws (15) and nuts (22). Repeat same on RH side of vehicle. Before torquing nuts to below specification, see Step 12.

TORQUE

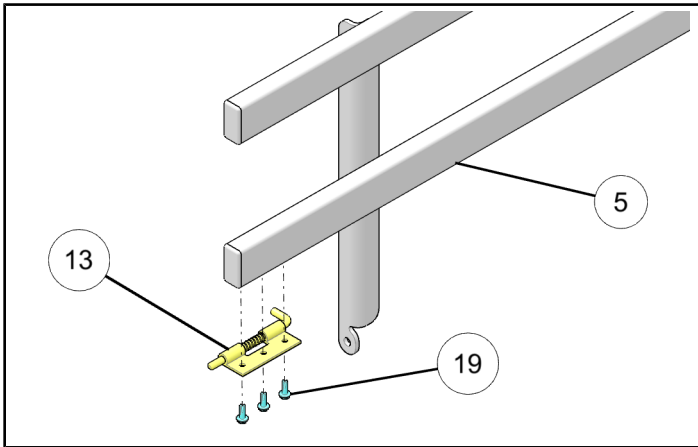
8.8 lb-ft (12 Nm)



6. Install plugs ⑫ on both stakeback sides ⑤ ⑥ and tailgate ④ as shown.



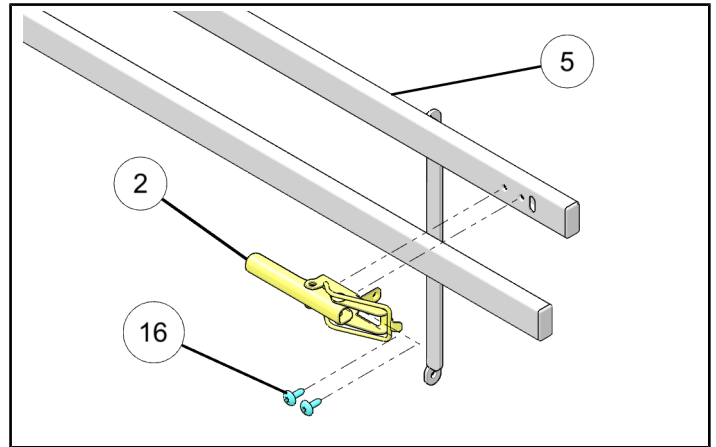
7. Install spring latch ⑬ on LH stakeback side ⑤ using screws ⑲ as shown. Repeat same on RH side of vehicle.



8. Install tailgate latch ② on LH stakeback side ⑤ using screws ⑰. Repeat same on RH side of vehicle. Torque screws to specification.

TORQUE

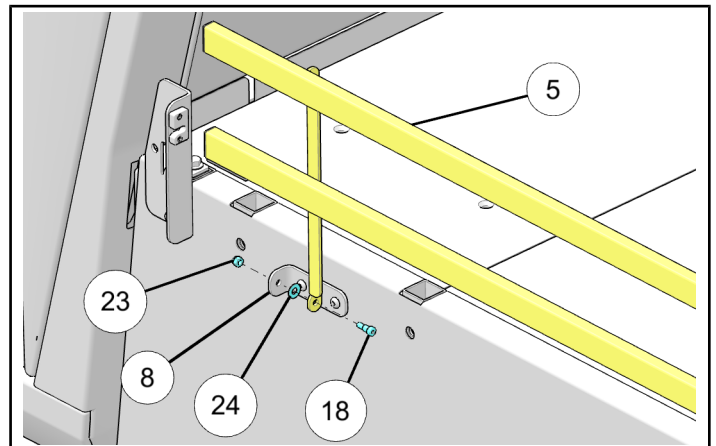
8 lb-ft (10.8 Nm)



9. Install LH stakeback side ⑤ onto brackets ⑧ (front and rear) using screws ⑱, washers ⑳, and nuts ㉓ as shown. Torque nuts lightly by hand. Repeat same for installing RH stakeback side ⑥.

NOTE

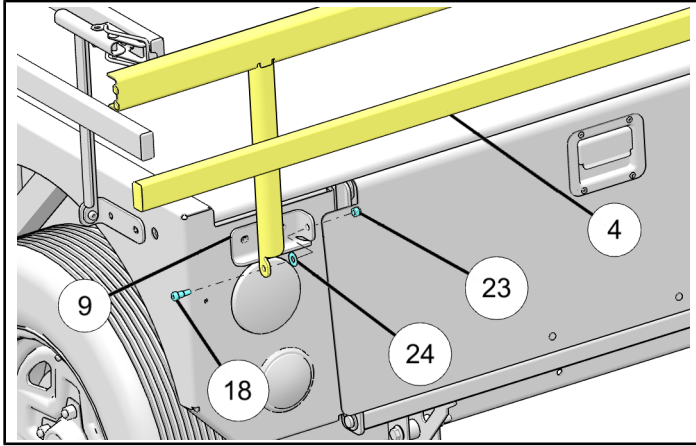
Head of screws ⑱ need to point to the rear of vehicle for side brackets ⑧ as shown.



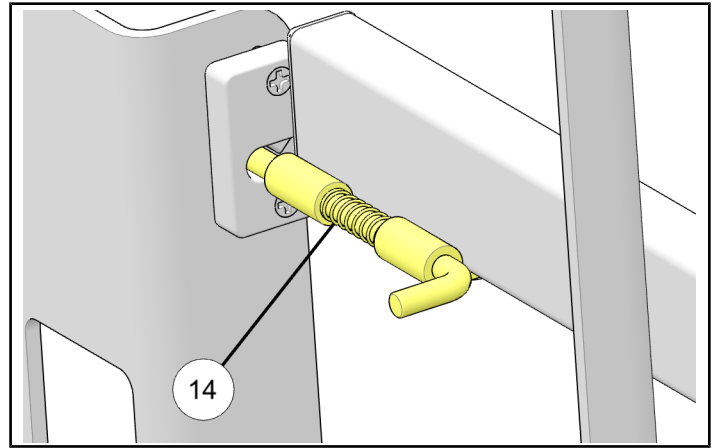
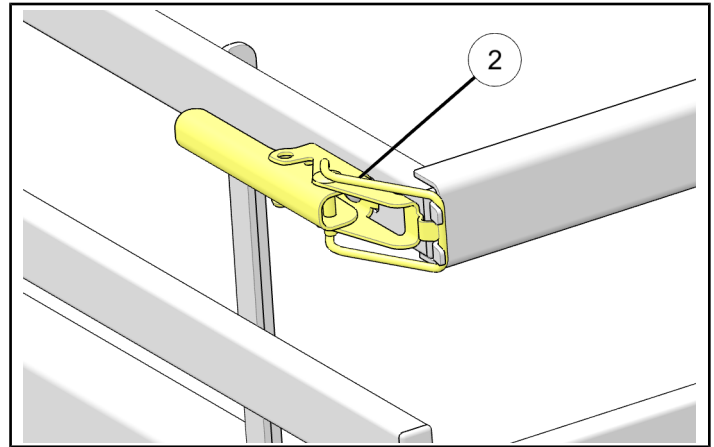
10. Install stakeback tailgate ④ onto brackets ⑨ (both sides) using screws ⑱, washers ㉔, and nuts ㉓ as shown. Torque nuts lightly by hand.

NOTE

Head of screws ⑱ need to point to the left of vehicle for rear brackets ⑨ as shown.



11. Engage tailgate latches ② and spring latches ⑭ on both sides of stakeback side.



12. You may need to loosen, adjust the position and retighten the front latch mounts to allow for smooth engagement of the spring pins.