

TAILGATE KIT



**P/N 2882033 (PANEL); 2881869 (HINGED);
2881870 (RAMPED)**

APPLICATION

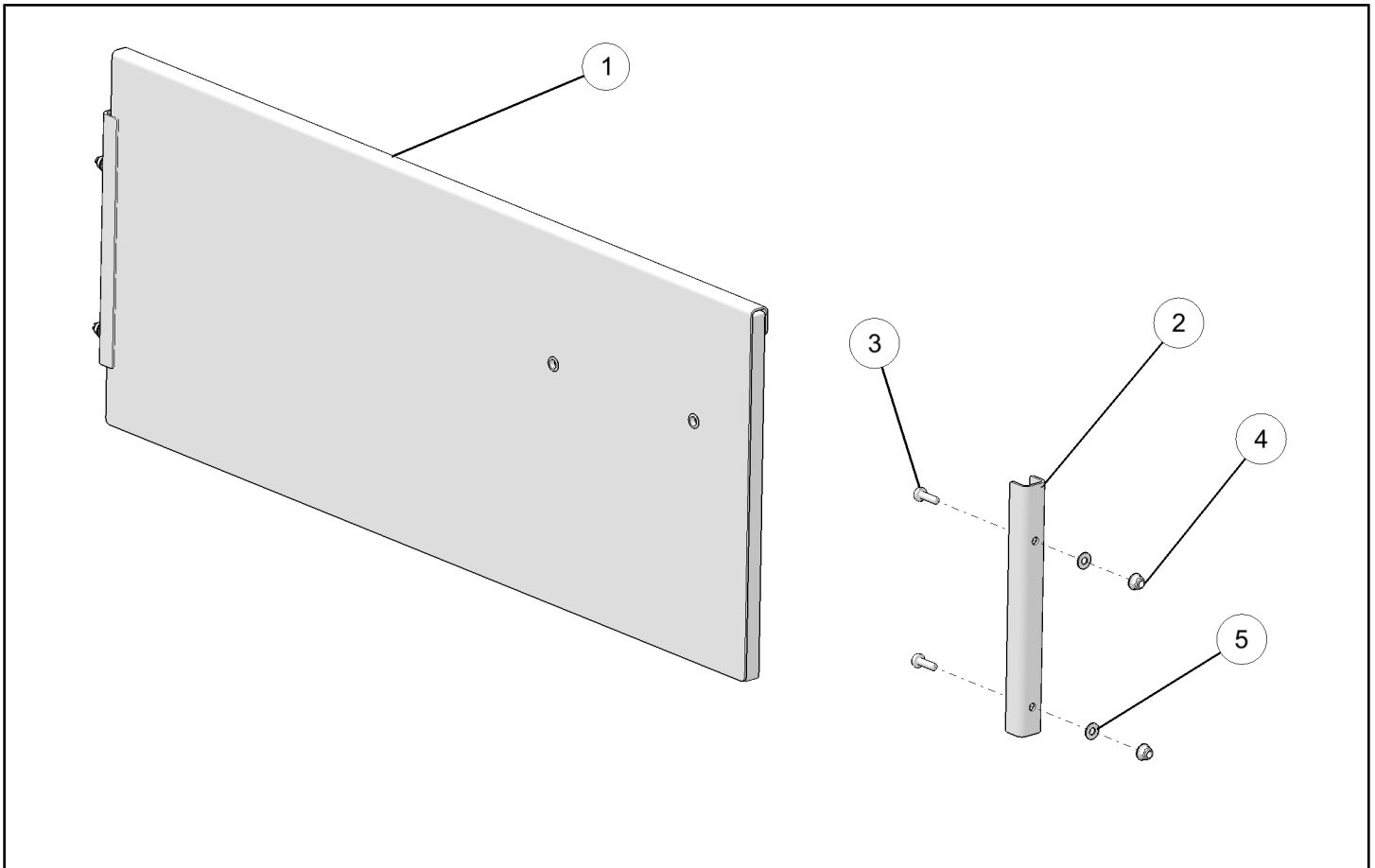
MY16 GEM eL XD

BEFORE YOU BEGIN

Read these instructions and check to be sure all parts and tools are accounted for. Please retain these installation instructions for future reference and parts ordering information.

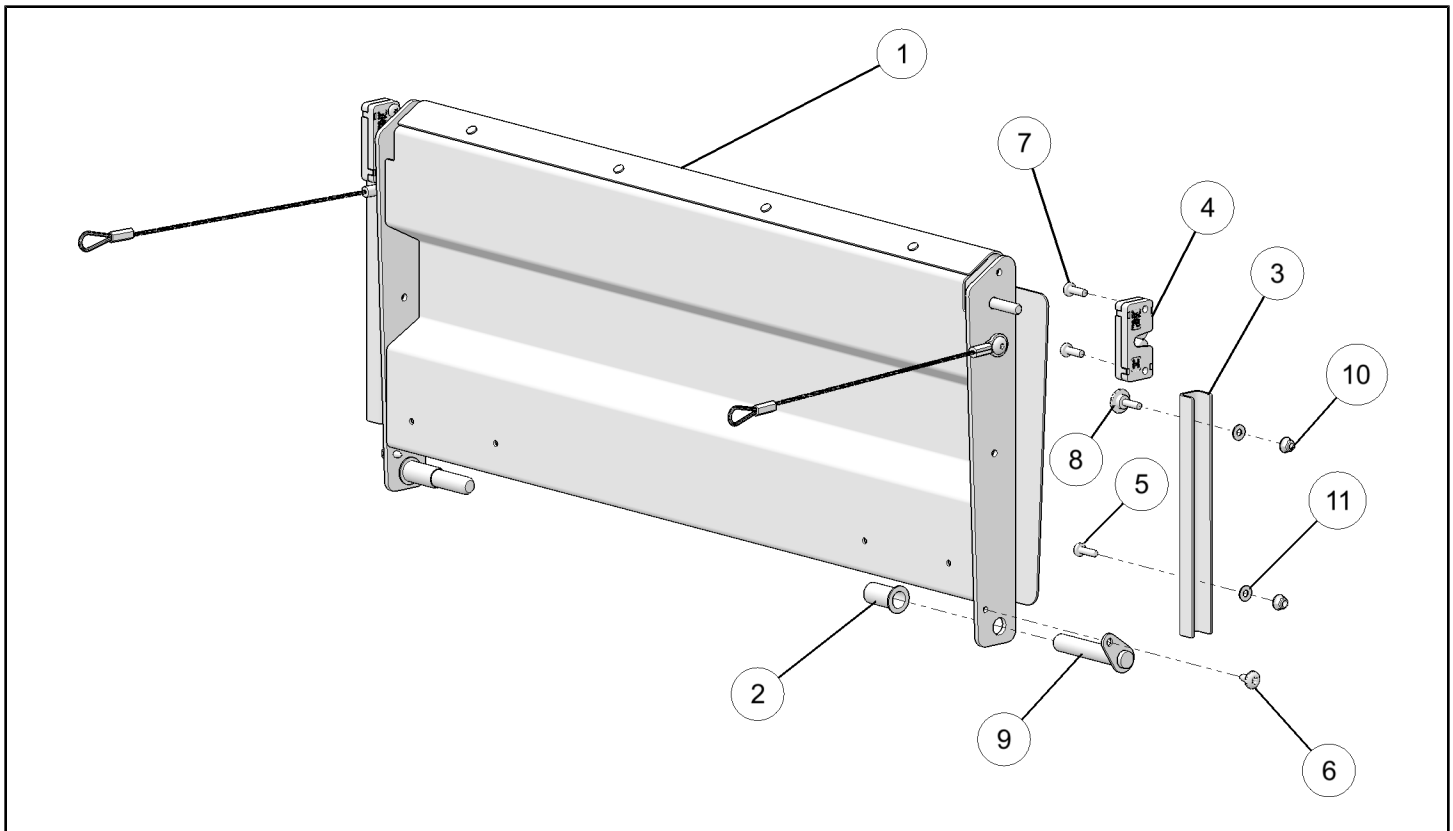
KIT CONTENTS

Kit (PN 2882033) includes:



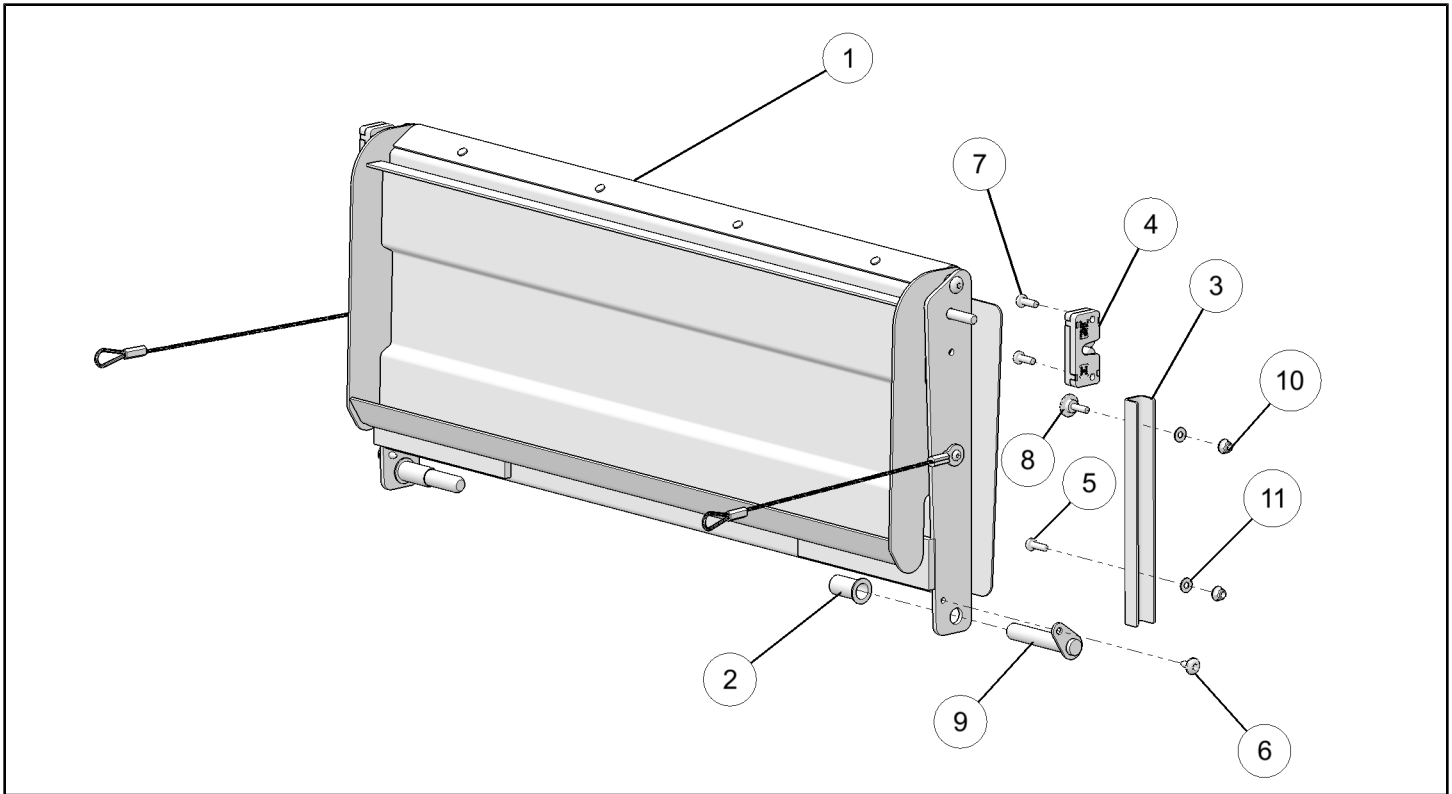
REF	QTY	PART DESCRIPTION	PART NUMBER
1	1	Panel, Tailgate Assembly	1022527
2	2	Rear Channel Bracket	5510855
3	4	Screw - M6 X 1.0 X 20 mm	7518546
4	4	Nut - M6 X 1.0	7547339
5	4	Washer - .250 X .563 X .047	7558203
	1	Instructions	9926978

Kit (PN 2881869) includes:



REF	QTY	PART DESCRIPTION	PART NUMBER
1	1	Hinged Tailgate Assembly	1022528
2	2	Bushing - Tailgate	5452061
3	2	Rear Channel Bracket	5510855
4	2	Latch - Tailgate	7081568
5	2	Screw - M6 X 1 X 20 mm	7518546
6	2	Screw - M6 X 1 X 16	7518936
7	4	Screw - #14 X 3/4 HI/LO	7519205
8	2	Screw - TXTH - M6 X 1.0 X 25	7519942
9	2	Pin - Tailgate Mount	7520316
10	4	Nut - M6 X 1.0	7547339
11	4	Washer - .250 X .563 X .047	7558203
	1	Instructions	9926978

Kit (PN 2881870) includes:



REF	QTY	PART DESCRIPTION	PART NUMBER
1	1	Ramped Tailgate Assembly	1022529
2	2	Bushing - Tailgate	5452061
3	2	Rear Channel Bracket	5510855
4	2	Latch - Tailgate	7081568
5	2	Screw - M6 X 1 X 20 mm	7518546
6	2	Screw - M6 X 1 X 16	7518936
7	4	Screw - #14 X 3/4 HI/LO	7519205
8	2	Screw - TXTH - M6 X 1.0 X 25	7519942
9	2	Pin - Tailgate Mount	7520316
10	4	Nut - M6 X 1.0	7547339
11	4	Washer - .250 X .563 X .047	7558203
	1	Instructions	9926978

TOOLS REQUIRED

- Standard Hand Tools

IMPORTANT

Your TAILGATE KIT is exclusively designed for your vehicle. Please read the installation instructions thoroughly before beginning. Installation is easier if the vehicle is clean and free of debris. For your safety, and to ensure a satisfactory installation, perform all installation steps correctly in the sequence shown.

ASSEMBLY TIME

Approximately 10 minutes

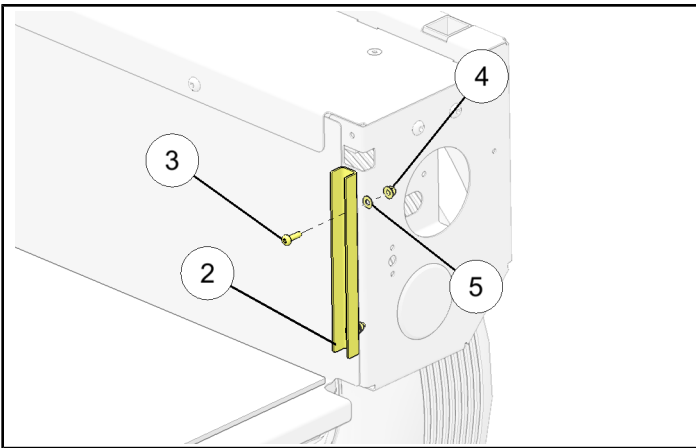
INSTALLATION INSTRUCTIONS

PANEL TAILGATE

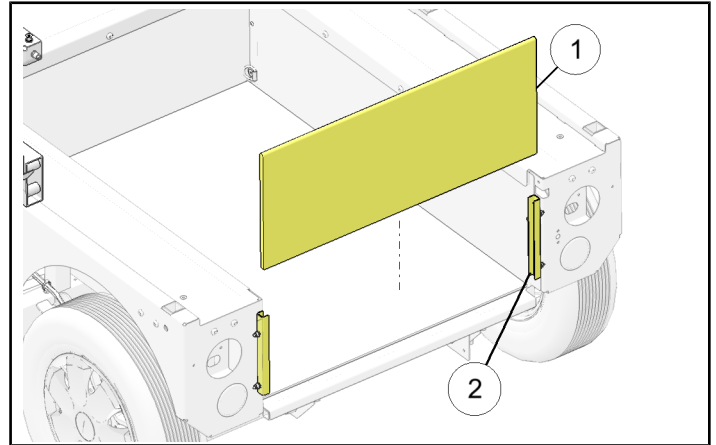
1. Install channel brackets ② onto vehicle using screws ③, washers ⑤, and nuts ④ in the orientation as shown. Torque nuts ④ to below specification.

TORQUE

8 ft. lbs. (10.8 Nm)



2. Insert panel tailgate ① into the channel brackets ②.

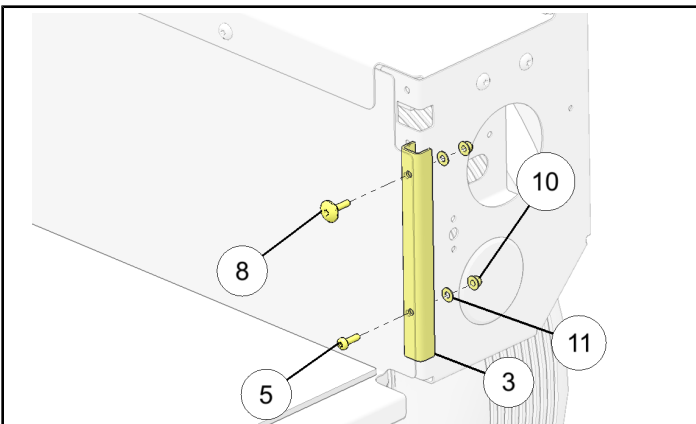


HINGED/RAMPED TAILGATE

1. Install channel brackets ③ onto vehicle using M5 screw ⑤ at bottom and M6 screw ⑧ at top location and washer ⑪ and nut ⑩ in the rear as shown. Torque nuts ⑩ to below specification.

TORQUE

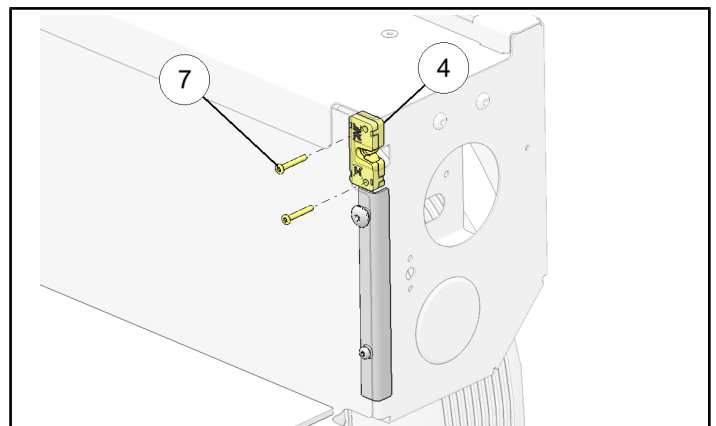
8 ft. lbs. (10.8 Nm)



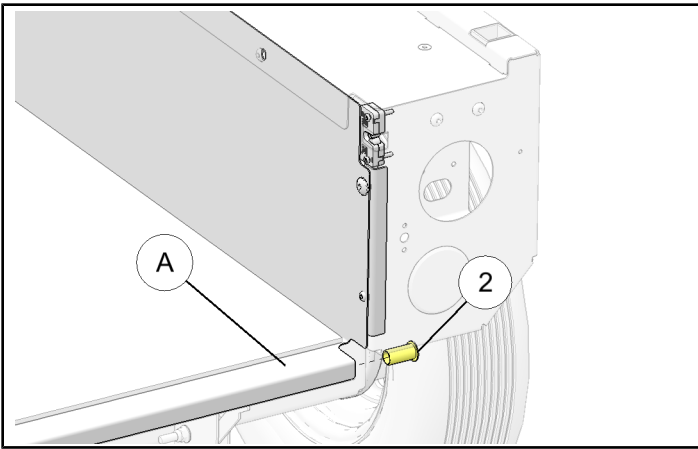
2. Assemble tailgate latches ④ using screws ⑦. Torque screws to below specification.

TORQUE

7.5 ft. lbs. (10.2 Nm)

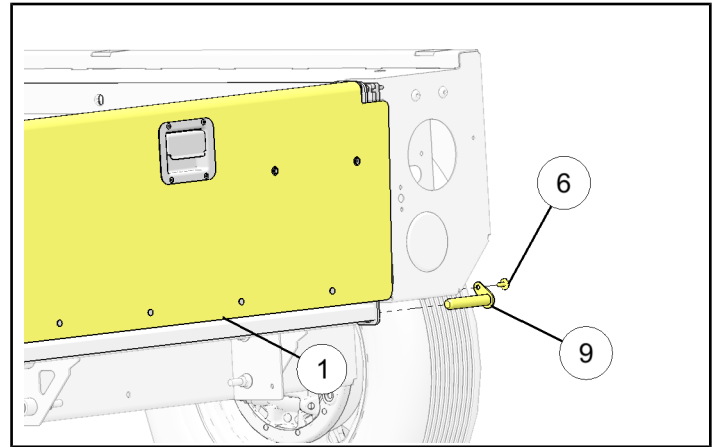


3. Insert bushings ② into rear bed support frame (A).



4. Attach tailgate assembly ① to bed with pivot pins ⑨ and secure with screws ⑥ and lanyards. Torque screws ⑥ to below specification.

TORQUE
8 ft. lbs. (10.8 Nm)



5. Final installation of hinged/ramped tailgate assembly is as shown below.

