

SHORT BED KIT



P/N 2882431

APPLICATION

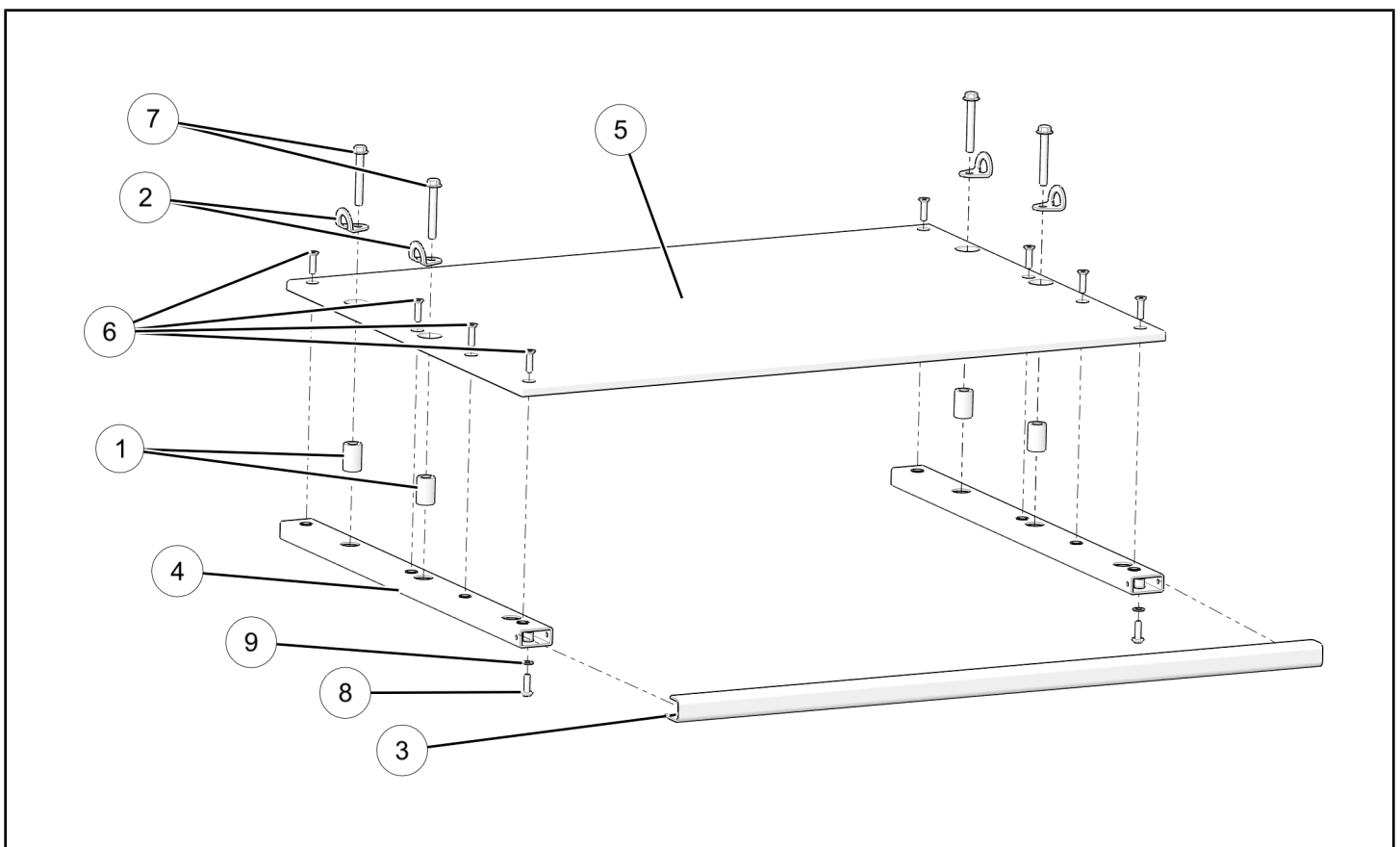
2016 or newer GEM E2, E4, and E6
Verify accessory fitment at Polaris.com.

BEFORE YOU BEGIN

Read these instructions and check to be sure all parts and tools are accounted for.
Please retain these installation instructions for future reference and parts ordering information.

KIT CONTENTS

This Kit includes:



REF	QTY	PART DESCRIPTION	PART NUMBER
1	4	Spacer	5140893
2	4	Bracket, Tie down	5262121
3	1	Bracket, Support	5263190
4	2	Tube	5340115
5	1	Panel	5453664
6	8	Screw, Hex Socket, Countersunk, M8 X 1.15 X 30	7518250

REF	QTY	PART DESCRIPTION	PART NUMBER
7	4	Screw, Hex Flange, M10 X 1.5 X 75	7518473
8	2	Screw, Torx® Truss Head, M8 X 1.25 X 25	7520416
9	2	Washer, 8.4 X 16 X 1.6	7556305
	1	Instructions	9927692

TOOLS REQUIRED

- Safety Glasses
- Socket Set, Hex Bit, Metric
- Socket Set, Metric
- Torque Wrench

IMPORTANT

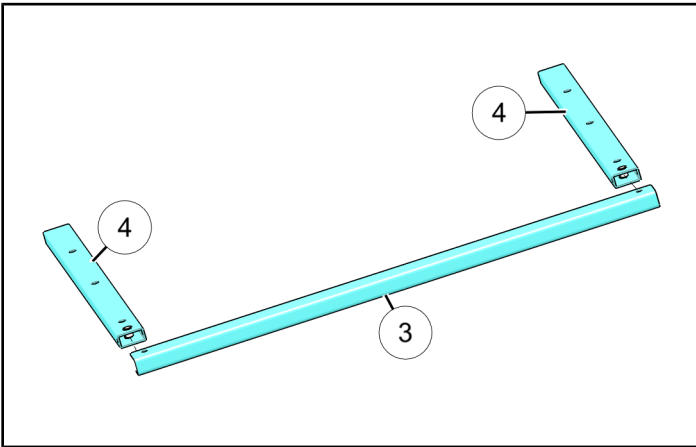
Your Short Bed Kit is exclusively designed for your vehicle. Please read the installation instructions thoroughly before beginning. Installation is easier if the vehicle is clean and free of debris. For your safety, and to ensure a satisfactory installation, perform all installation steps correctly in the sequence shown.

ASSEMBLY TIME

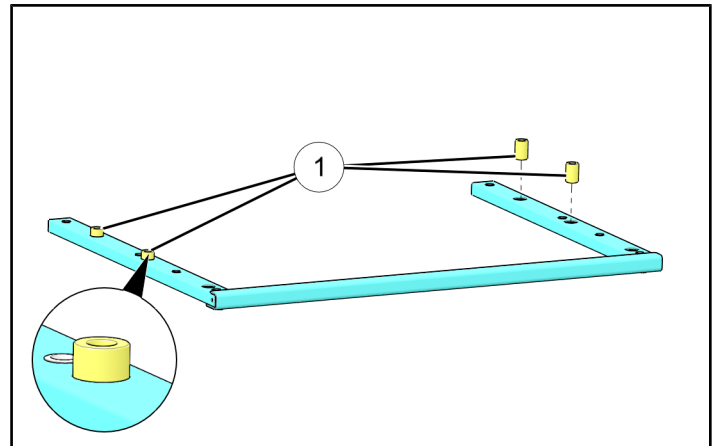
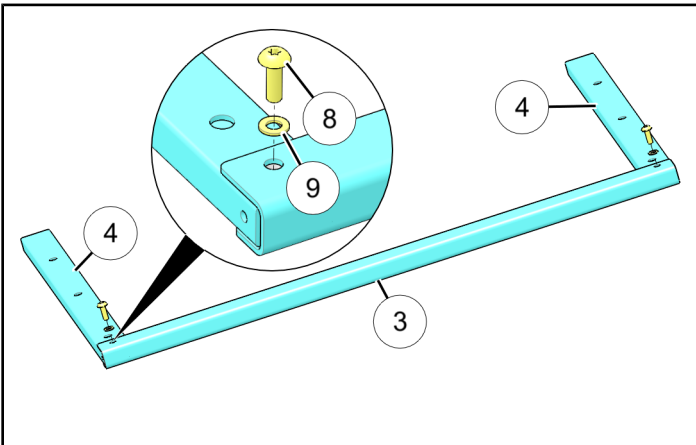
Approximately 18 minutes

INSTALLATION INSTRUCTIONS

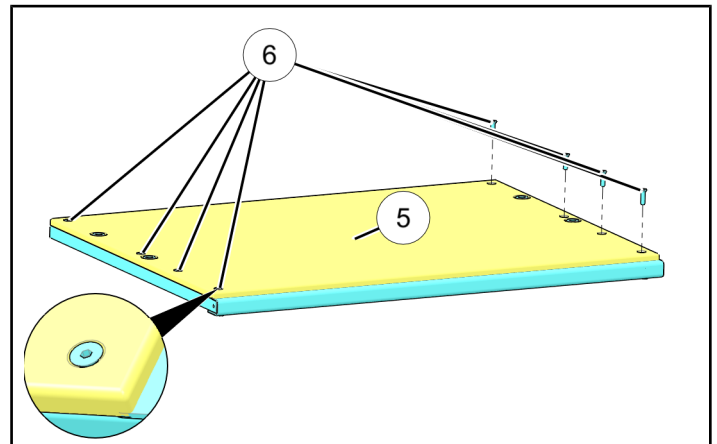
1. Place gear sector in "N". Apply parking brake. Turn key to "OFF" position and remove from vehicle.
2. Insert tubes ④ into support ③. Align screw holes.
4. Flip assembly over and set spacers ① into openings as shown.



3. Loosely install screws ⑧ through washers ⑨ into tubes ④. **Do not tighten screws.**



5. Leaving assembly flat, set panel ⑤ in place over spacers, install and hand tighten eight screws ⑥.



6. Keeping assembly flat, set in place on vehicle.
Install four screws ⑦ through tie-downs ② as shown. Torque screws to specification.

TORQUE

27 ft lbs (37 Nm)

