

SHORT BED WITH SIDES KIT



P/N 2882432

APPLICATION

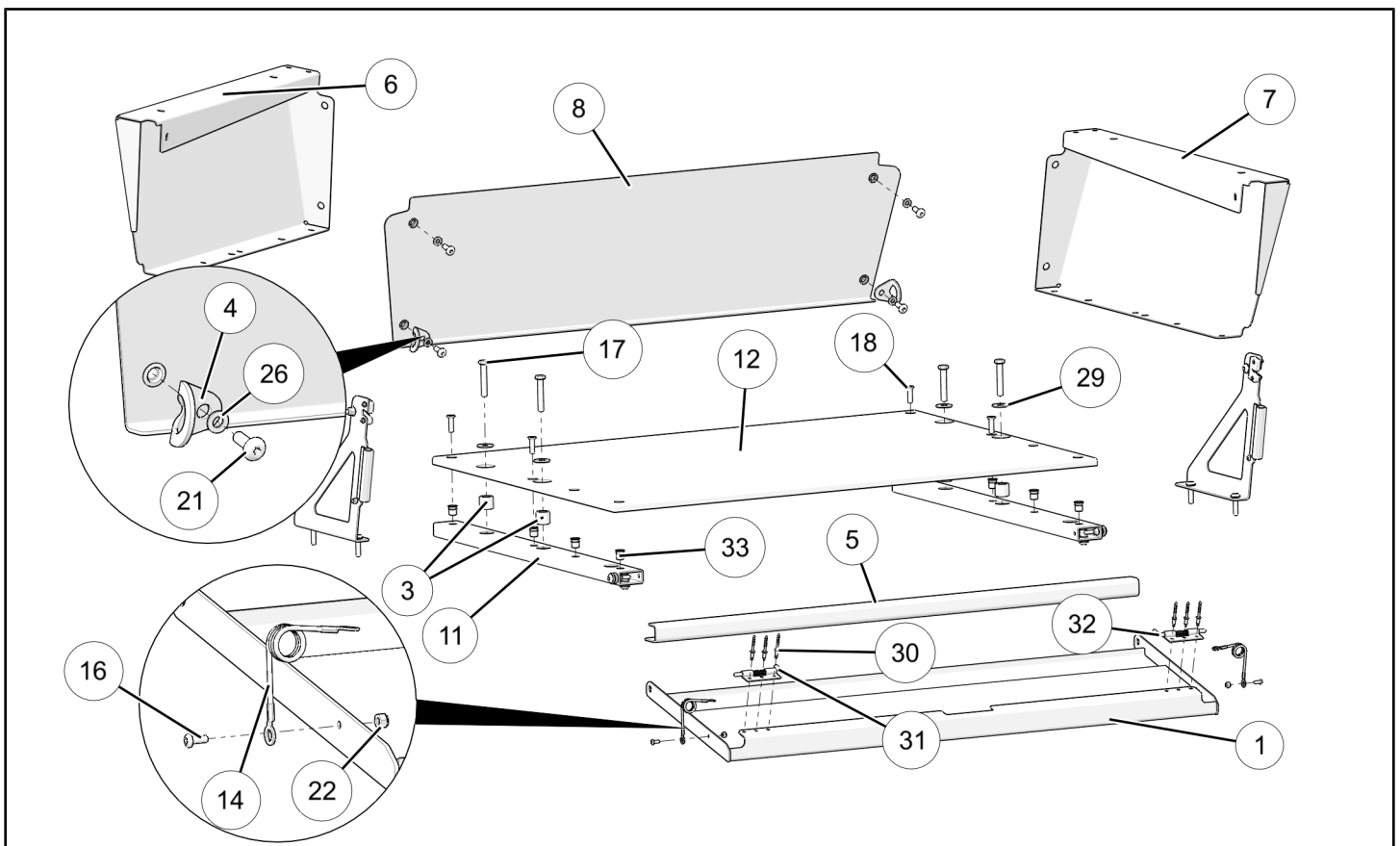
2016 or newer GEM E2, E4, E6
Verify accessory fitment at Polaris.com.

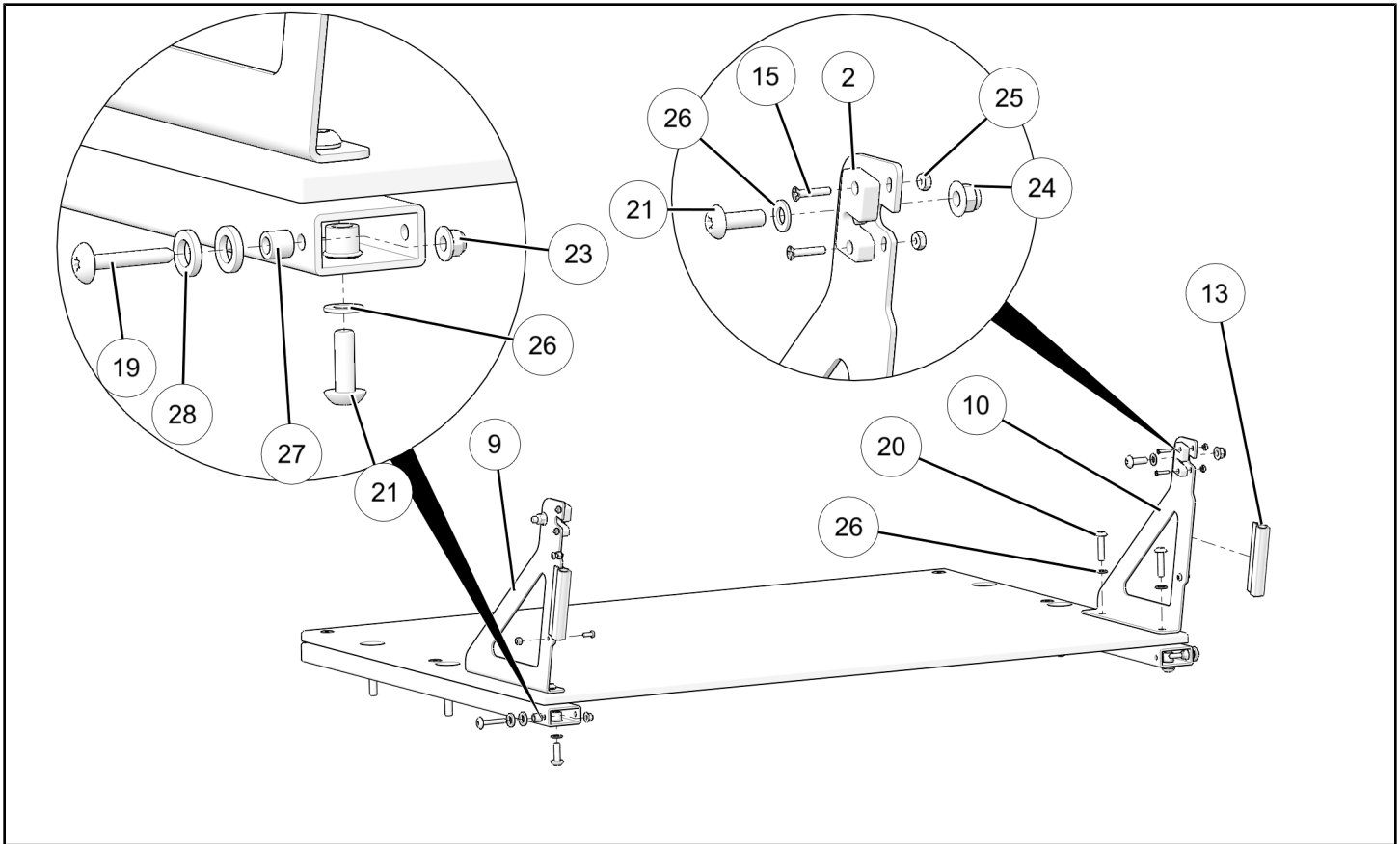
BEFORE YOU BEGIN

Read these instructions and check to be sure all parts and tools are accounted for. Please retain these installation instructions for future reference and parts ordering information.

KIT CONTENTS

This Kit includes:





REF	QTY	PART DESCRIPTION	PART NUMBER
1	1	Tailgate	1022964
2	2	Latch	2634781
3	4	Spacer, Short	5140892
4	2	Bracket, Tie-down	5262121
5	1	Bracket, Support	5263190
6	1	Bracket, Side, LH	5263548
7	1	Bracket, Side, RH	5263549
8	1	Bracket, Front	5263550
9	1	Bracket, Brace, Side, LH	5263551
10	1	Bracket, Side, RH	5263552
11	2	Tube	5340115
12	1	Panel	5453664
13	2	Seal, 100mm	5522209-100
14	2	Cable, Trunk Lid	7082053
15	4	Screw, Countersunk, Phillips, #6-32, 0.75	7511878
16	4	Screw, Pan head, Torx®, #10-24 X 1	7512024
17	4	Screw, Hex head, M10 X 1.5 X 60	7517901
18	4	Screw, Countersunk Hex Socket, M8 X 1.25 X 30	7518250

REF	QTY	PART DESCRIPTION	PART NUMBER
19	2	Screw, Truss head, Torx®, M6 X 1 X 40	7519001
20	4	Screw, Truss head, Torx®, M8 X 1.25 X 35	7519937
21	8	Screw, Truss head, Torx®, M8 X 1.25 X 25	7520416
22	4	Nut, Locking, 10-24	7541925
23	2	Nut, Hex, Flanged, Locking, M6 X 1.0	7547339
24	2	Nut, Hex, Flanged, M8 X 1.25	7547454
25	4	Nut, Hex, Locking, 6-32	7547624
26	10	Washer, 8.4 X 16 X 1.6	7556305
27	2	Spacer, 0.437 X 0.083	7556450
28	4	Washer, Nylon	7556460
29	4	Washer, 10.5 X 30 X 2.5	7556973
30	6	Rivet, 3/16 X 3/8, (Pre-installed)	7662292
31	1	Latch, Spring, LH, (Pre-installed)	7043869
32	1	Latch, Spring, RH (Pre-installed)	7043870
33	14	Threaded insert, Expanding, M8 X 1.25 (Pre-installed)	7547788
	1	Decal, Cargo Limit, Bed (Not pictured) (Pre-installed)	7183756
	1	Instructions	9927693

TOOLS REQUIRED

- Safety Glasses
- Hex Key Set, Metric
- Screwdriver, Phillips
- Socket Set, Hex Bit, Metric
- Socket Set, Metric
- Socket Set, SAE
- Socket Set, Torx® Bit
- Torque Wrench
- Wrench Set, Metric
- Wrench Set, SAE

IMPORTANT

Your Short Bed with Sides Kit is exclusively designed for your vehicle. Please read the installation instructions thoroughly before beginning. Installation is easier if the vehicle is clean and free of debris. For your safety, and to ensure a satisfactory installation, perform all installation steps correctly in the sequence shown.

ASSEMBLY TIME

Approximately 30 minutes

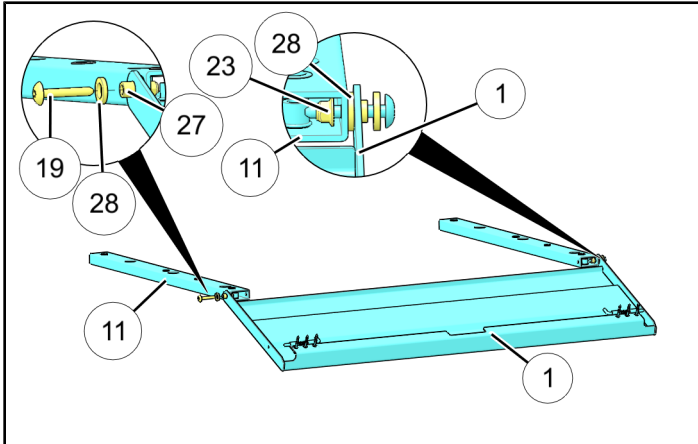
INSTALLATION INSTRUCTIONS

1. Place gear sector in "N". Apply parking brake. Turn key to "OFF" position and remove from vehicle.

- Line up tubes ⑪ with tailgate ① as shown. Insert spacers ⑳ and ㉗ onto bolt ⑱. Hold spacer ㉘ in place and install bolt assembly into tailgate. Install nut ㉚ onto bolt, counter-hold nut and torque to specification. Repeat procedure for both sides of tailgate.

TORQUE

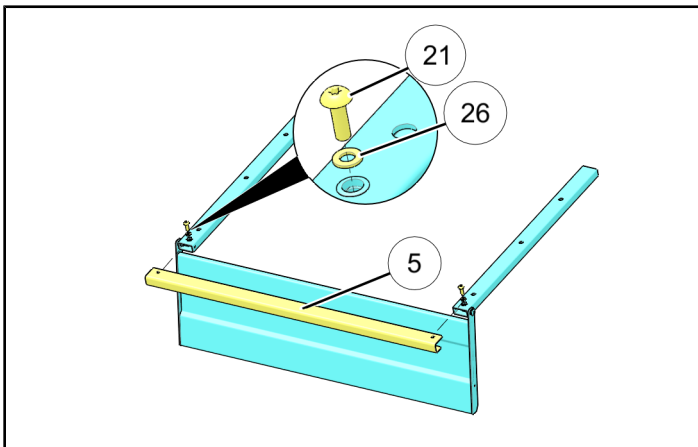
8 ft. lbs. (11 Nm)



- Flip assembly upside down and attach front support bracket ⑤ to assembly with two screws ㉑ and two washers ㉖. Torque screws to specification.

TORQUE

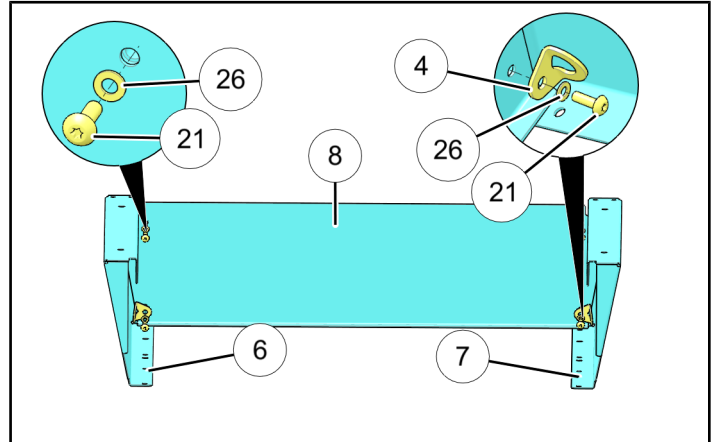
10 ft. lbs. (14 Nm)



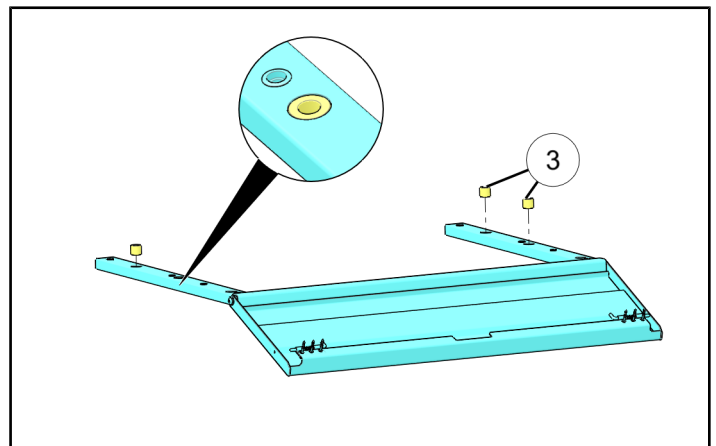
- Attach side elements ⑥ and ⑦ to back element ⑧ by installing screws ㉑ through washers ㉖ on upper nut inserts and through washer ㉖ and tie-down bracket ④ on lower nut inserts. Torque screws to specification.

TORQUE

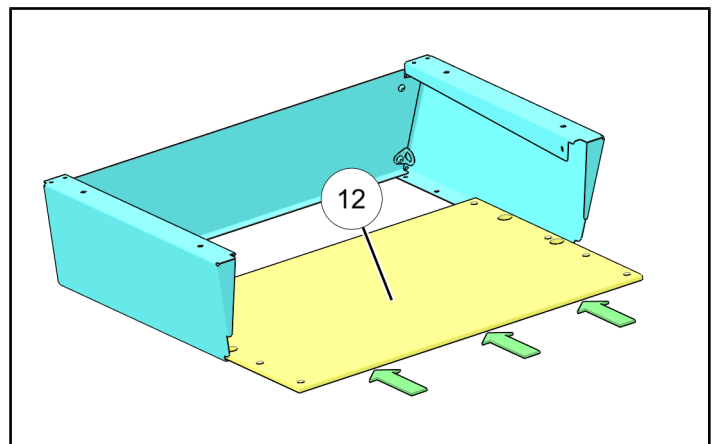
10 ft. lbs. (14 Nm)



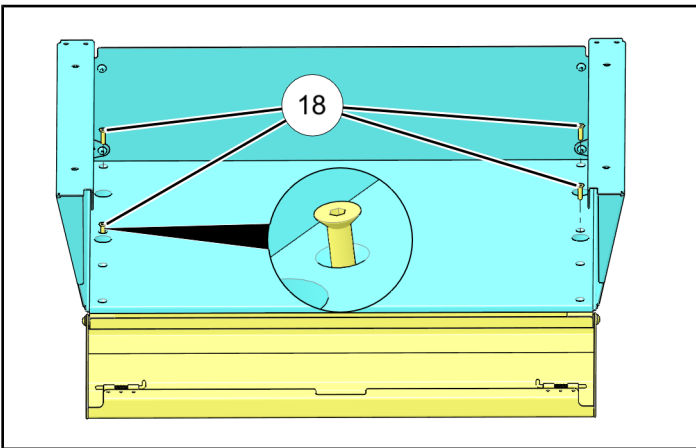
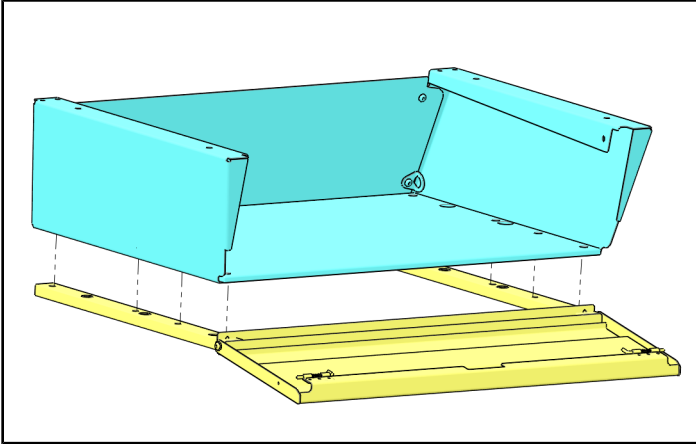
- Set tailgate assembly flat and insert four spacers ③ into holes in tubes.



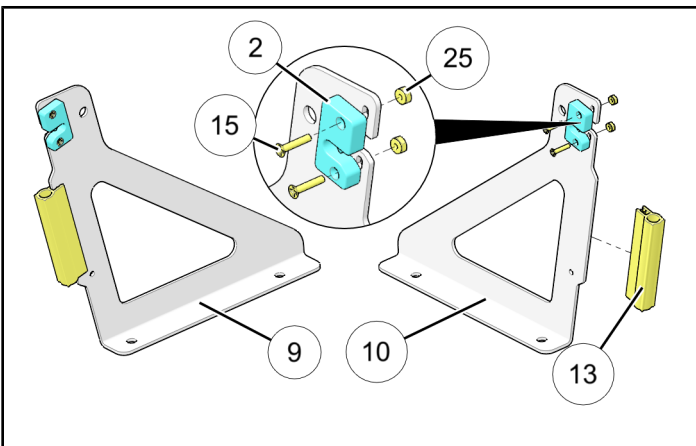
- Place panel ⑫ into sides assembly ensuring holes line up through entire assembly.



7. Set upper assembly onto tailgate assembly ensuring bolt holes line up. Install four rear screws ⑱ into panel and hand tighten screws.

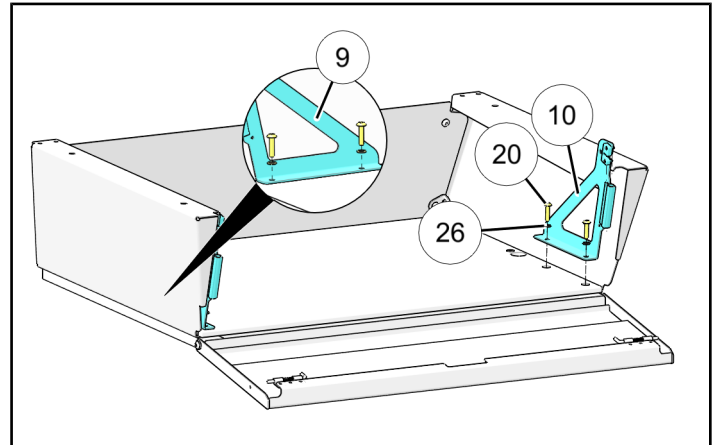


8. Attach seals ⑬ to brackets ⑨ and ⑩. Loosely attach latches ② to brackets ⑨ and ⑩ with two bolts ⑮ and two nuts ⑲ each. **Do not tighten bolts.**

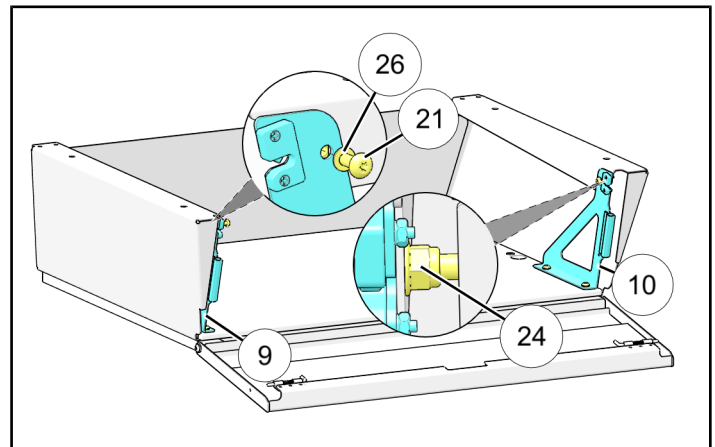


9. Bolt assembled brackets to the base using two bolts ⑳ and two washers ㉔. Torque bolts to specification.

TORQUE
8 ft. lbs. (11 Nm)



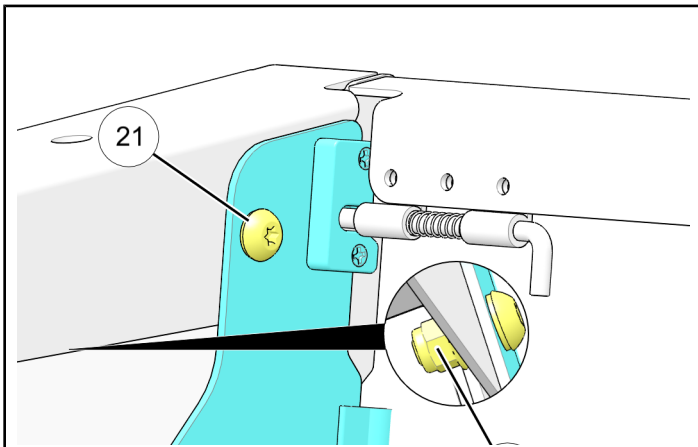
10. Loosely install two bolts ㉑ and two washers ㉔, and two nuts ㉒ into brackets ⑨ and ⑩ as shown. **Do not tighten bolts.**



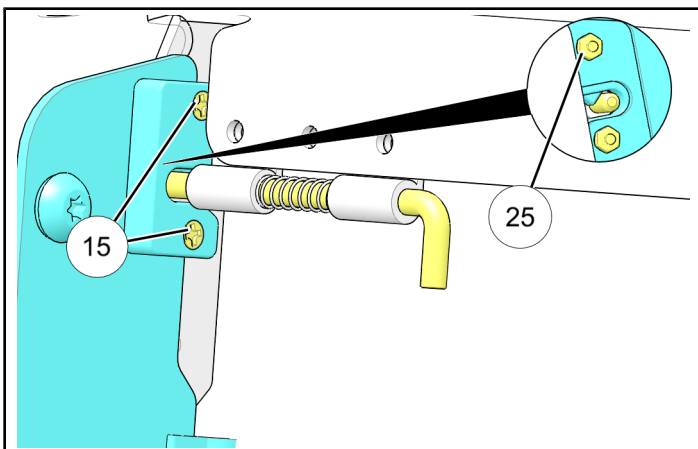
11. Close tailgate and adjust box to desired width. Counter-hold nut ⑳ and torque bolts ㉑ to specification.

TORQUE

10 ft. lbs. (14 Nm)

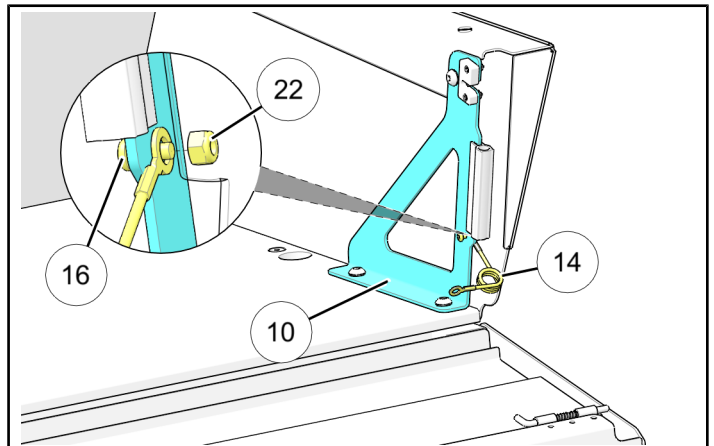


12. Adjust latch height, centering pin in latch, counter-hold nuts ㉕ and hand tighten screws ㉖.

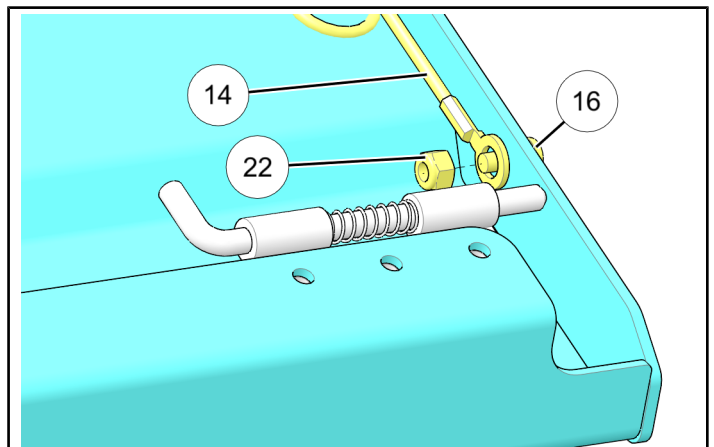


13. Test tailgate and latches for proper fitment.

14. Attach cables ⑭ to brackets ⑨ and ⑩ with bolts ⑰ and nuts ㉒. Ensure cable eyelet is attached to outside of bracket as shown. **Do not tighten bolts at this time.**



15. Attach other end of cables ⑭ to inside of tailgate lid bolt holes using bolts ⑰ and nuts ㉒ as shown. **Do not tighten bolts at this time.**



16. Open tailgate fully until cables catch. Tighten bolts ⑰ and nuts ㉒ on cables to specification.

TORQUE

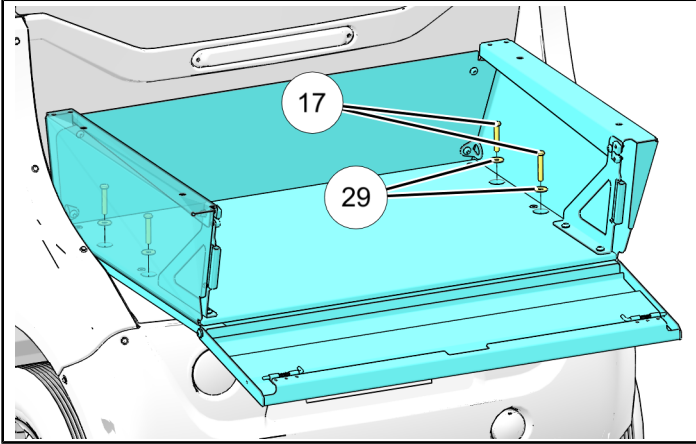
24 in. lbs. (3 Nm)

17. Set assembly on rear cover of vehicle and align holes.

18. Install four screws ⑰ and washers ⑳. Torque screws to specification.

TORQUE

27 ft. lbs. (37 Nm)



19. Close tailgate.