

L-BOX LADDER RACK KIT



P/N 2883089

APPLICATION

Verify accessory fitment at Polaris.com.

2016 and newer GEM® eL XD, equipped with 2017 and newer L-Box (PN 2882712)

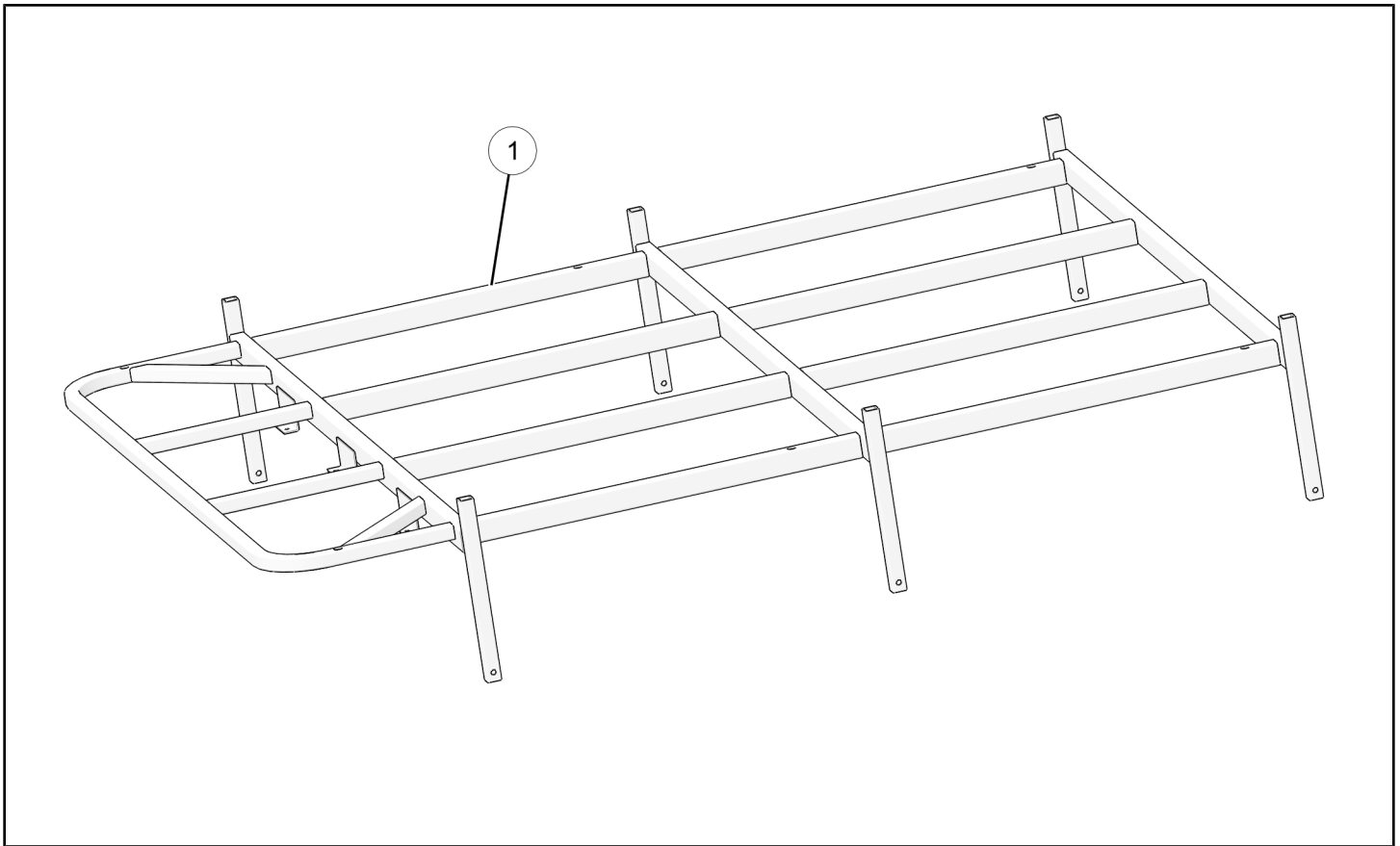
BEFORE YOU BEGIN

Read these instructions and check to be sure all parts and tools are accounted for. Please retain these installation instructions for future reference and parts ordering information.

KIT CONTENTS

This kit contains parts for installation of the Ladder Rack only. Prior installation of the L-Box Kit, PN 2882712, is also required (sold separately).

This Kit includes:



REF	QTY	PART DESCRIPTION	PART NUMBER
1	1	Assembly, Ladder Rack, L-Box	-
2	6	Screw, #8, 1 3/4 in. (Not shown)	-
3	12	Screw, #8, 3/4 in. (Not shown)	-
4	1	Decal, Load-Ladder Rack 75 lbs (Not shown)	7178186
	1	Instructions	9928353

TOOLS REQUIRED

- Safety Glasses

- Socket Set or Bit Driver Set, SAE

IMPORTANT

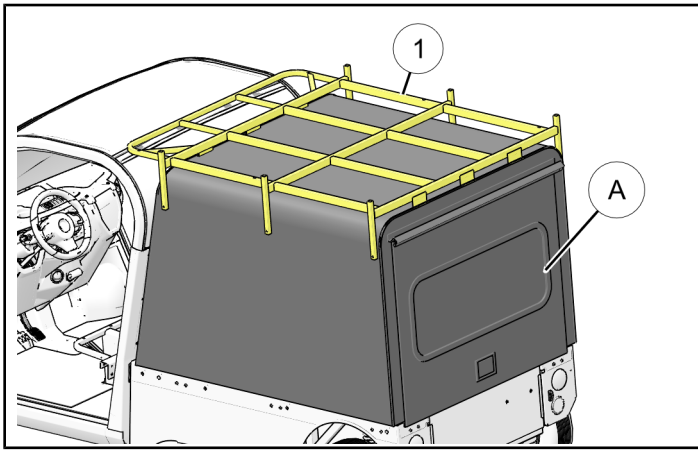
Your L-Box Ladder Rack Kit is exclusively designed for your vehicle. Please read the installation instructions thoroughly before beginning. Installation is easier if the vehicle is clean and free of debris. For your safety, and to ensure a satisfactory installation, perform all installation steps correctly in the sequence shown.

ASSEMBLY TIME

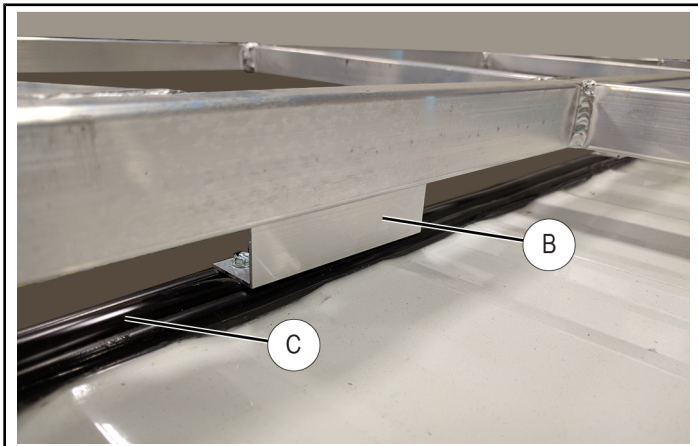
Approximately 24 minutes

INSTALLATION INSTRUCTIONS

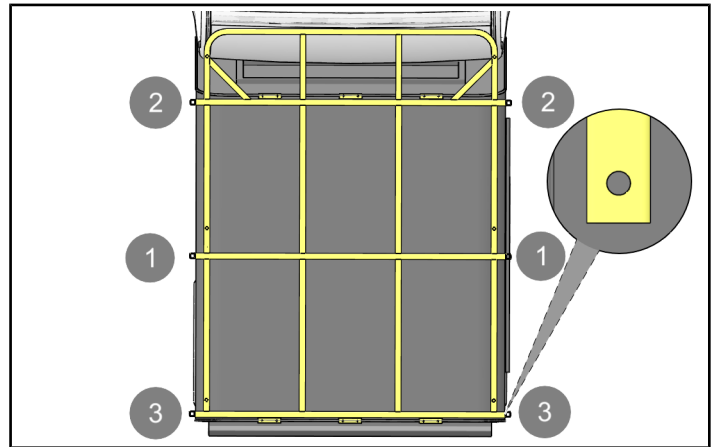
1. Place gear selector in "N". Apply parking brake. Turn key to "OFF" position and remove from vehicle.
2. Carefully place ladder rack assembly ① on top of roof box ④.



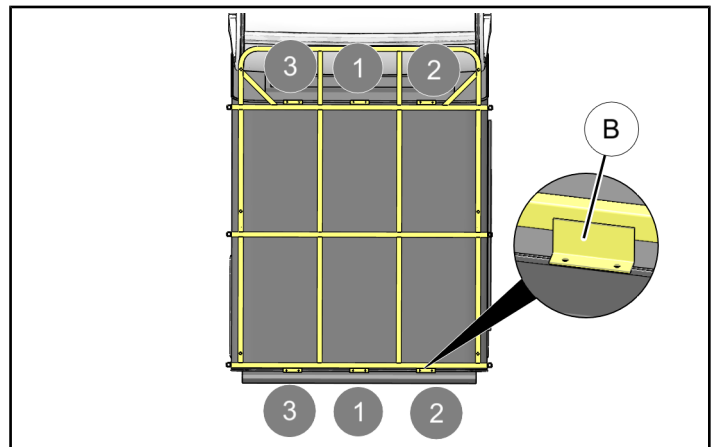
3. Center rack ① by aligning inner surface of angle brackets ② with inner edge of rubber seal ③.



4. Install six screws ② into lower holes of vertical bars. Tighten screws in sequence on each side as shown. Ensure tubes do not deform when tightened.



5. Install twelve screws ③ into holes in angle brackets ②. Tighten screws in sequence on each end as shown. Ensure brackets do not deform when tightened.



IMPORTANT

Maximum Capacity: 75 lbs (34 Kg)

FEEDBACK FORM

A feedback form has been created for the installer to provide any comments, questions or concerns about the installation instructions. The form is viewable on mobile devices by scanning the QR code or by clicking [HERE](#) if viewing on a PC.

