

SOLID SIDES KIT



P/N 2883090, 2883091

APPLICATION

All 2016 and newer GEM® eI XD models
Verify accessory fitment at **Polaris.com**.

BEFORE YOU BEGIN

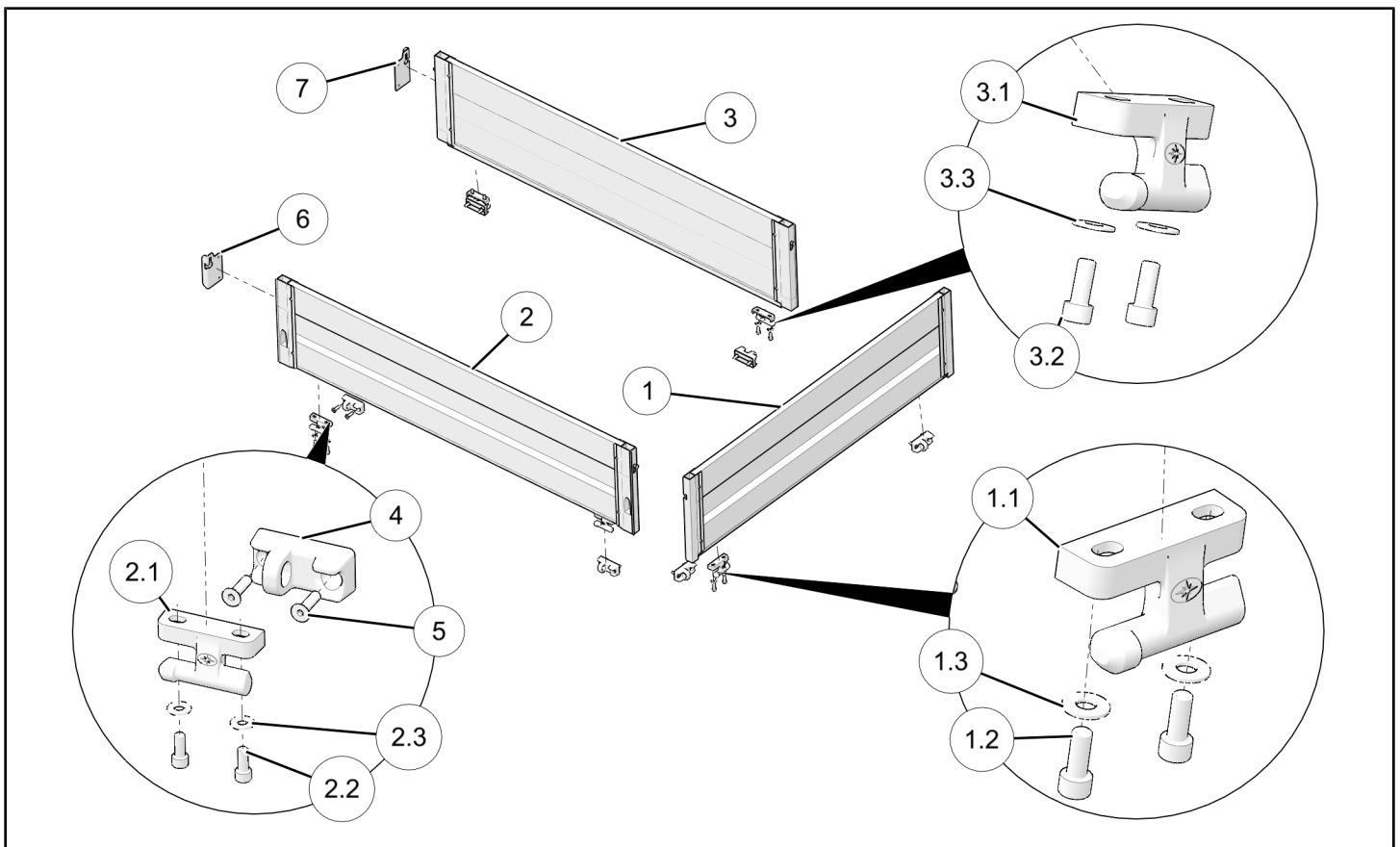
Read these instructions and check to be sure all parts and tools are accounted for. Please retain these installation instructions for future reference and parts ordering information.

KIT CONTENTS

This kit contains parts for installation of Solid Sides Kit only. Long Bed Front Panel, PN 2883091 can be substituted for Front Tool Chest, PN 2881632 (sold separately).

This Kit includes:

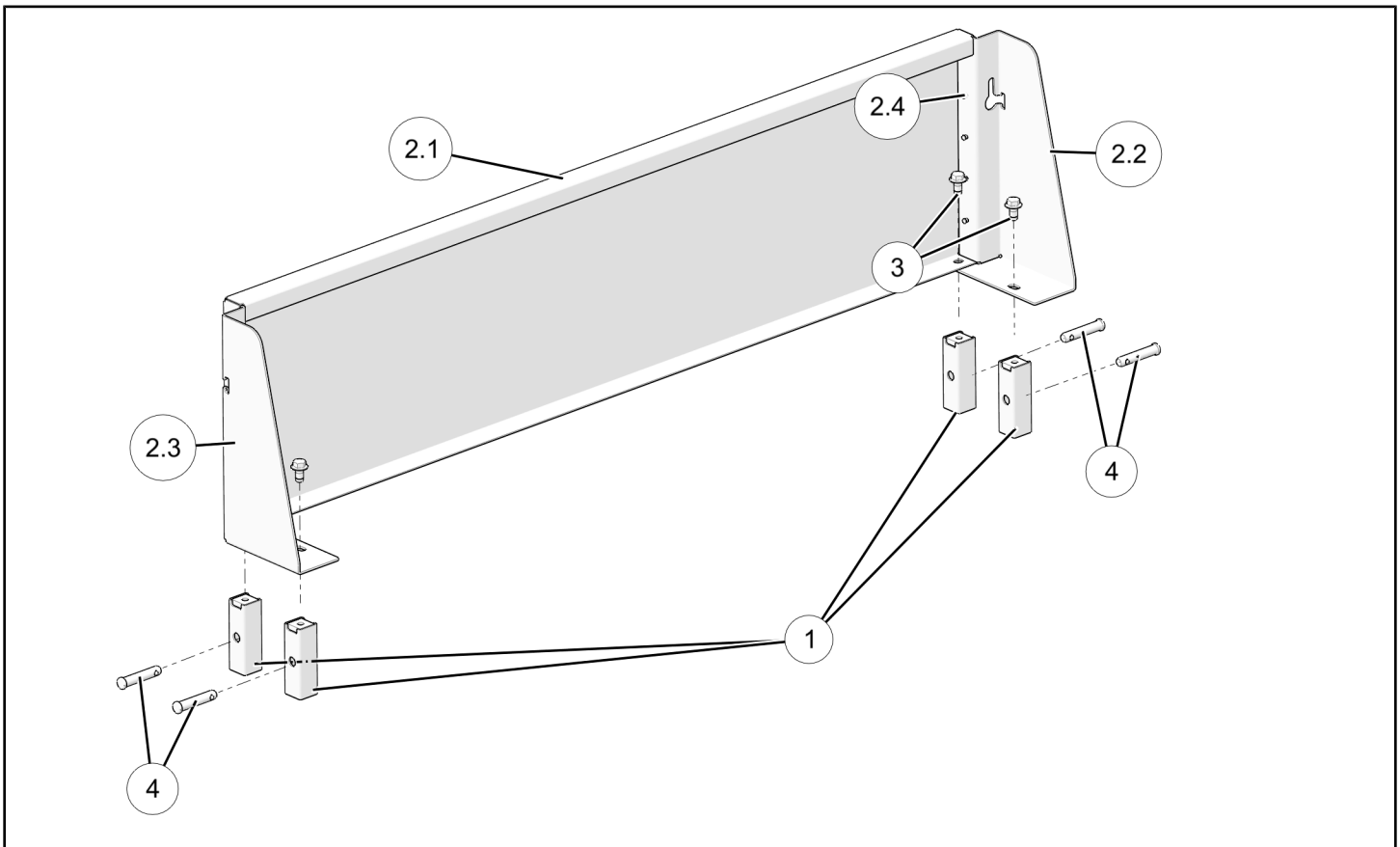
PN: 2883090



| REF | QTY | PART DESCRIPTION | PART NUMBER |
|-----|-----|--|-------------|
| 1 | 1 | Assembly, Box Side, Long Bed, Tailgate | 2636962 |
| 1.1 | 2 | . Hinge, Male | 5633556 |
| 1.2 | 4 | . Screw, M8 X 1.25 X 20 | 7518149 |
| 1.3 | 4 | . Washer, 0.325 X 0.750 X 0.063 | 7555874 |
| 2 | 1 | Assembly, Box Side, Long Bed, LH | 2636963 |
| 2.1 | 2 | . Hinge, Male | 5633556 |

| REF | QTY | PART DESCRIPTION | PART NUMBER |
|-----|-----|---------------------------------|-------------|
| 2.2 | 4 | . Screw, M8 X 1.25 X 20 | 7518149 |
| 2.3 | 4 | . Washer, 0.325 X 0.750 X 0.063 | 7555874 |
| 3 | 1 | Assembly, Box Side Long Bed, RH | 2636964 |
| 3.1 | 2 | . Hinge, Male | 5633556 |
| 3.2 | 4 | . Screw, M8 X 1.25 X 20 | 7518149 |
| 3.3 | 4 | . Washer, 0.325 X 0.750 X 0.063 | 7555874 |
| 4 | 6 | Hinge, Female | 5633557 |
| 5 | 12 | Screw, M8 X 1.25 X 30 | 7518250 |
| 6 | 1 | Catch Bracket, Box Side, LH | 5264720 |
| 7 | 1 | Catch Bracket, Box Side, RH | 5265069 |
| | 1 | Instructions | 9928354 |

PN: 2883091



| REF | QTY | PART DESCRIPTION | PART NUMBER |
|-----|-----|---------------------------------------|-------------|
| 1 | 1 | Tube Adapter | 1020354-458 |
| 2 | 1 | Sides Module, Long Bed, Front Bracket | 0752657 |
| 2.1 | 1 | .Front Bracket, Panel | 5264717-626 |
| 2.2 | 1 | .Front Bracket, Panel, LH | 5264718-626 |
| 2.3 | 1 | .Front Bracket, Panel, RH | 5264719-626 |

| REF | QTY | PART DESCRIPTION | PART NUMBER |
|-----|-----|-----------------------------------|-------------|
| 2.4 | 10 | .Rivet, 3/16" | 7621472 |
| 3 | 4 | Screw, Hex Flange, M10 X 1.5 X 20 | 7519905 |
| 4 | 4 | Clevis Pin, | 7662293 |
| | 1 | Instructions | 9928354 |

TOOLS REQUIRED

- Safety Glasses
- Screwdriver Set, Torx®
- Socket Set, Torx®
- Torque Wrench

IMPORTANT

Your Solid Sides Kit is exclusively designed for your vehicle. Please read the installation instructions thoroughly before beginning. Installation is easier if the vehicle is clean and free of debris. For your safety, and to ensure a satisfactory installation, perform all installation steps correctly in the sequence shown.

ASSEMBLY TIME

Approximately 40 minutes

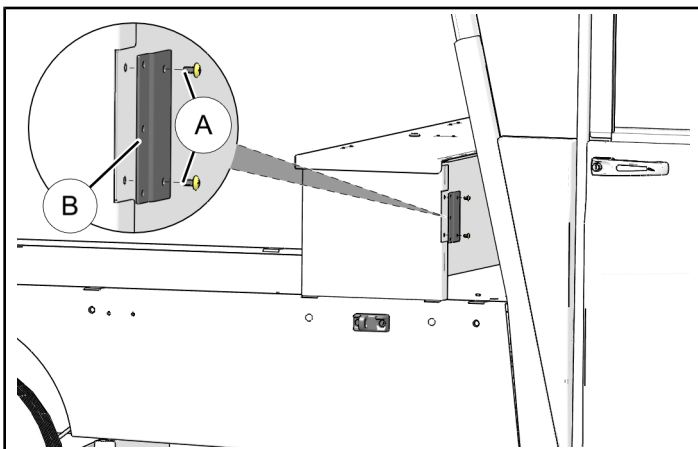
INSTALLATION INSTRUCTIONS

1. Place gear selector in **N**. Apply parking brake.
Turn key to **OFF** position and remove from vehicle.
2. Disconnect battery per owner's manual.

TOOL CHEST CATCH BRACKET INSTALLATION

1. Remove and retain two fasteners (A). Remove and discard tool chest bracket (B).

Repeat for opposite side.



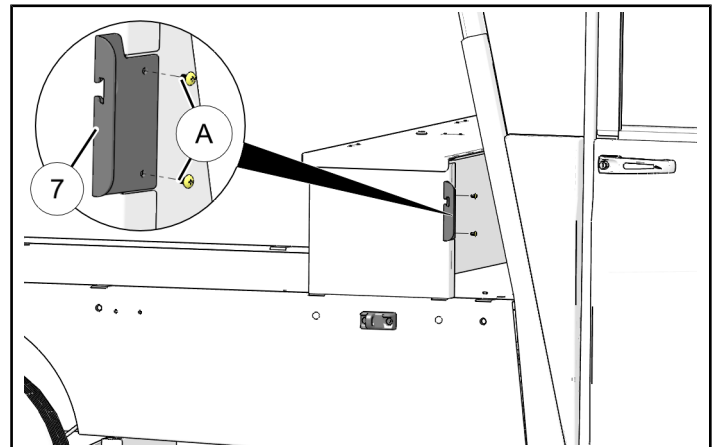
2. Install tool chest catch bracket (7) with two fasteners (A) retained from **previous step**.

Repeat for opposite side.

Torque four fasteners (A) to specification.

TORQUE

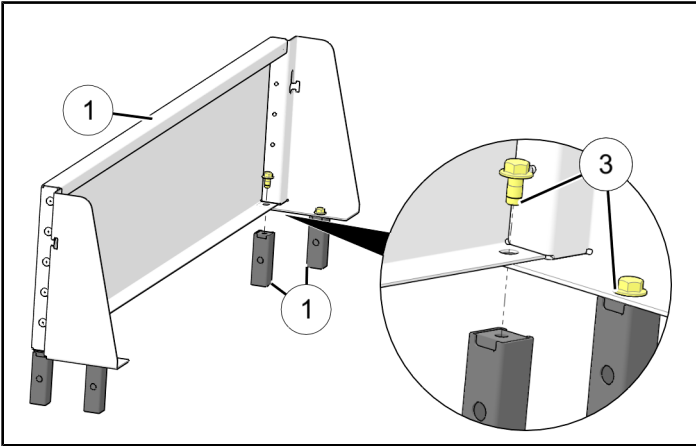
4 ft. lbs. (4 Nm)



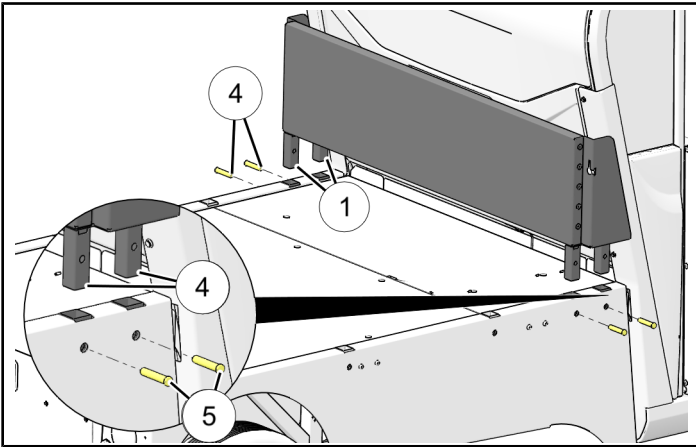
3. Proceed to **Solid Sides Installation** section.

FRONT BRACKET INSTALLATION

1. Install four tube adapters ① to front bracket module ② with four loosely installed fasteners ③.



2. Slide four tube adapters ① of front bracket module into corresponding holes in vehicle bed. Secure front bracket module by sliding four pins ④ through rear side panels and into tube adapters ①.



3. Torque four fasteners ③ to specification.

TORQUE

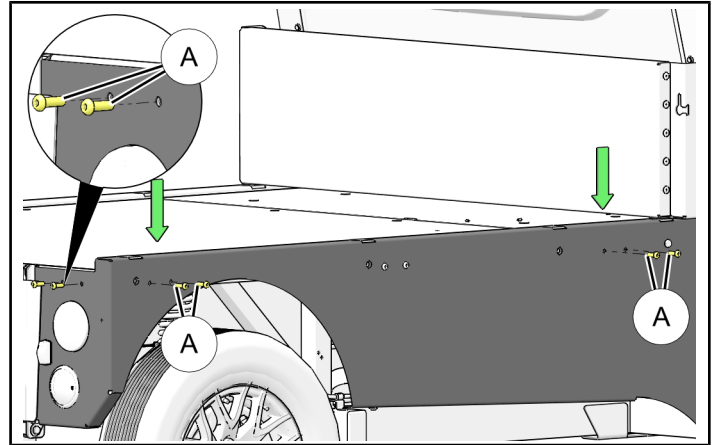
10 ft. lbs. (13 Nm)

4. Proceed to **Solid Sides Installation** section.

SOLID SIDES INSTALLATION

1. Remove and discard six screws ① from rear side panel.

Repeat for opposite side.



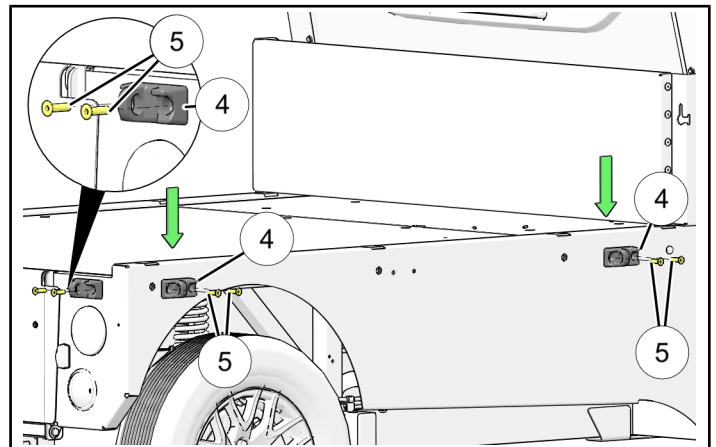
2. Install three female hinge leaves ④ onto rear side panels using two screws ⑤.

Repeat for opposite side.

Torque twelve screws ⑤ to specification.

TORQUE

18 ft. lbs. (24 Nm)



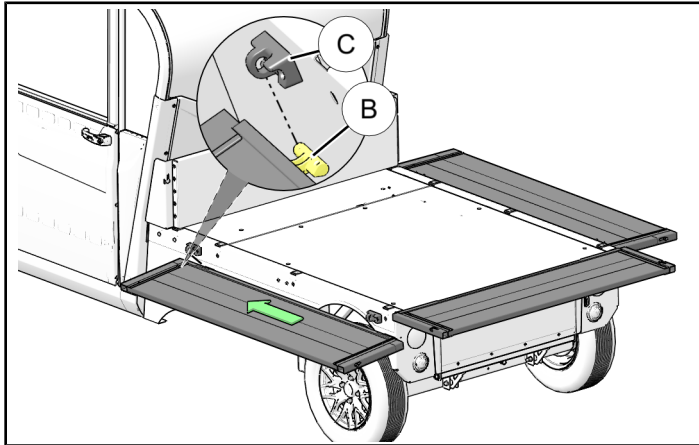
3. Install box sides individually by sliding male hinge pins **B** forward into female hinge knuckles **C**.

TIP

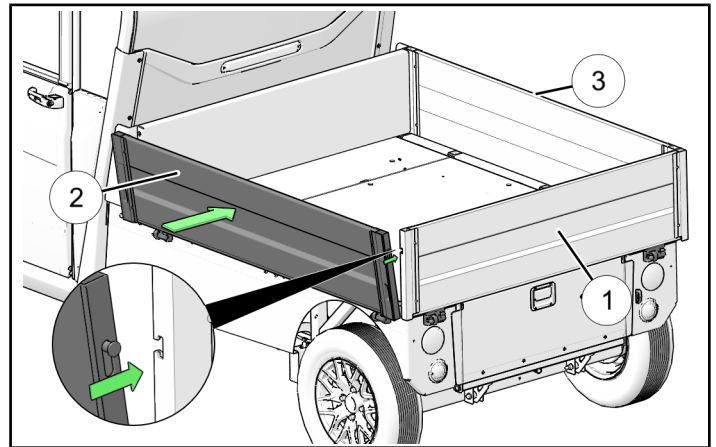
Fold down box sides to install.

NOTE

Box sides cannot be installed without Long Bed Front Panel or Front Tool Chest pre-installed on vehicle bed.



4. With tailgate **1** in upright position lock LH box side **2** and RH box side **3** into place.



FEEDBACK FORM

A feedback form has been created for the installer to provide any comments, questions or concerns about the installation instructions. The form is viewable on mobile devices by scanning the QR code or by clicking [HERE](#) if viewing on a PC.

FEEDBACK FORM

