

# BEACON LIGHT KIT



**P/N 2881802**

## APPLICATION

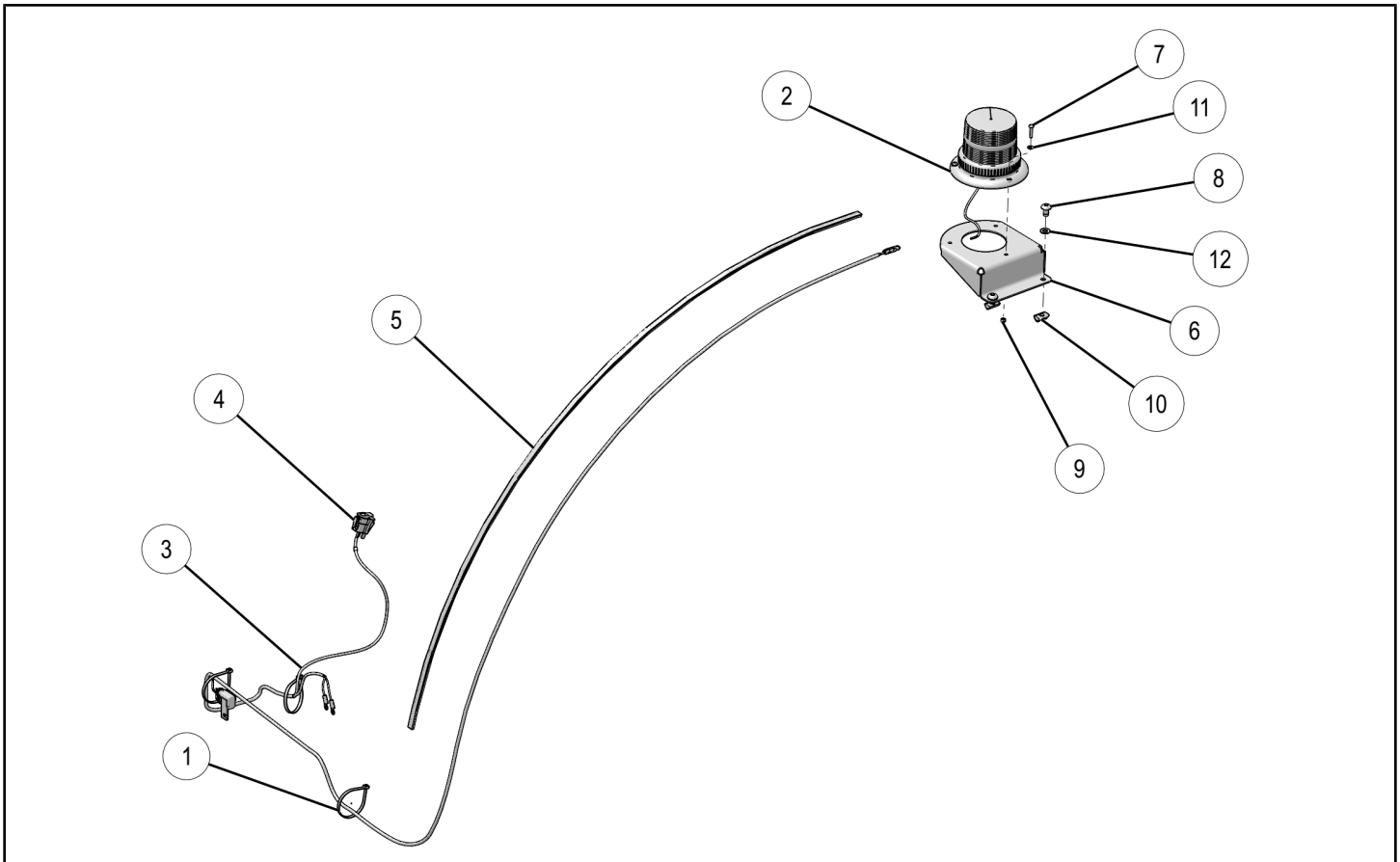
2016 GEM E2, E4, E6, and eL XD

## BEFORE YOU BEGIN

Read these instructions and check to be sure all parts and tools are accounted for. Please retain these installation instructions for future reference and parts ordering information.

## KIT CONTENTS

This Kit includes:



REF	QTY	PART DESCRIPTION	PART NUMBER
1	3	Panduit Strap, 11"	7080492
2	1	Beacon Light Assembly	2413089
3	1	Harness Assembly	2413354
4	1	Switch, Roof Light	4015781
5	1	Extrusion Cover, T-Slot	5522130-1240
6	1	Mount Bracket	5260484
7	3	Screw - 4 X 0.7 X 20	7518313

REF	QTY	PART DESCRIPTION	PART NUMBER
8	2	Torx® Screw - M8 X 1.25 X 15	7520391
9	3	Nut, Hex - M4 X 0.7	7547126
10	2	Nut, Roll-In - M8 X 1.25	7547806
11	3	Washer - 11/64 X 3/8 X 1/32	7555727
12	2	Washer - 8.4 X 16.0 X 1.6	7556305
	1	Instructions	9926922

## TOOLS REQUIRED

- Torx® Set and Ratchet
- Metric Wrench Set
- Phillips Screwdriver
- Utility Knife

## IMPORTANT

Your BEACON LIGHT KIT is exclusively designed for your vehicle. Please read the installation instructions thoroughly before beginning. Installation is easier if the vehicle is clean and free of debris. For your safety, and to ensure a satisfactory installation, perform all installation steps correctly in the sequence shown.

## ASSEMBLY TIME

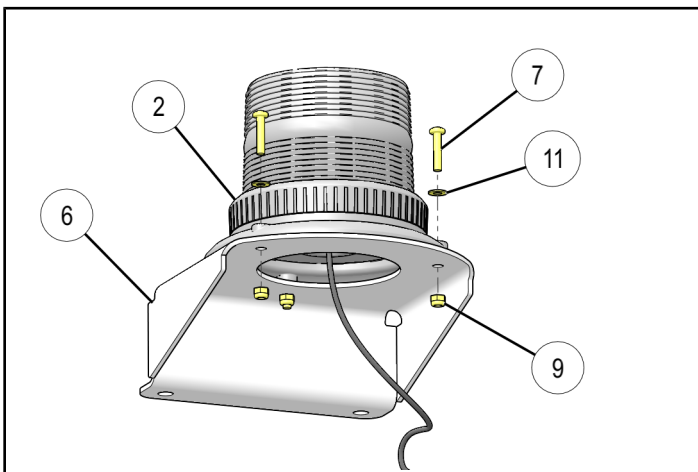
Approximately 45 minutes

## INSTALLATION INSTRUCTIONS

1. Attach the beacon light ② to the mounting bracket ⑥ with three screw ⑦, washers ⑪, and nuts ⑨ as shown.
2. Slide two roll in T-nuts ⑩ into the OPS and attach the beacon light bracket ⑥ to the roll in nuts in the OPS with bolts ⑧, nuts ⑫ as shown.

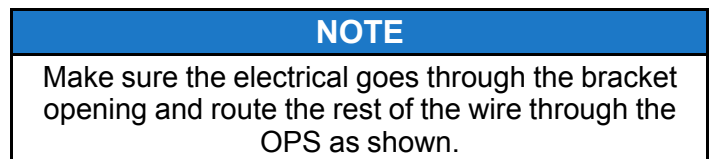
### TORQUE

2 lb. ft. (2.71 Nm)



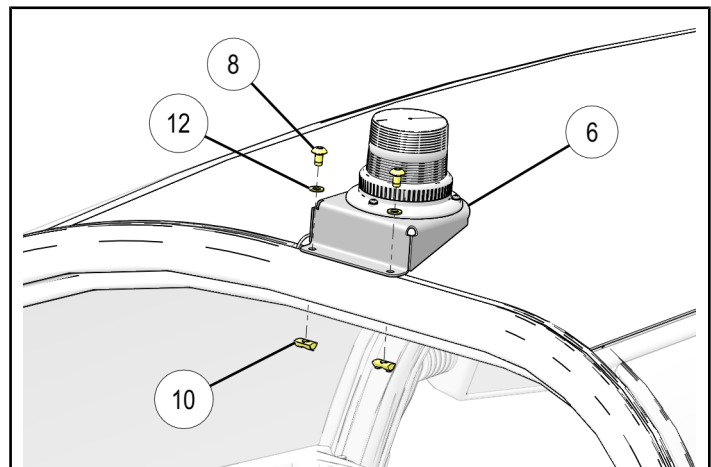
### TORQUE

18 lb. ft. (24.4 Nm)

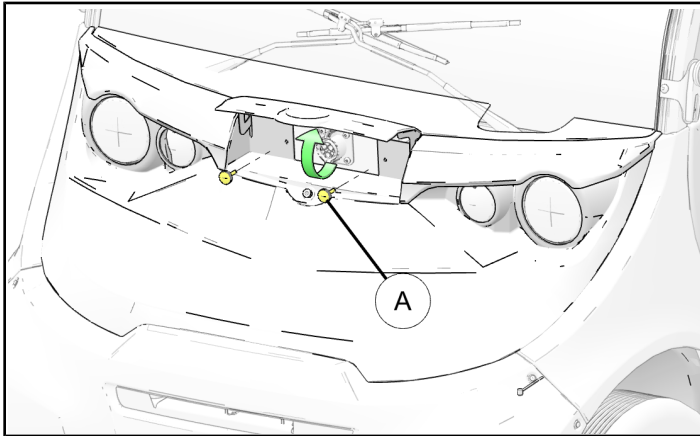


### NOTE

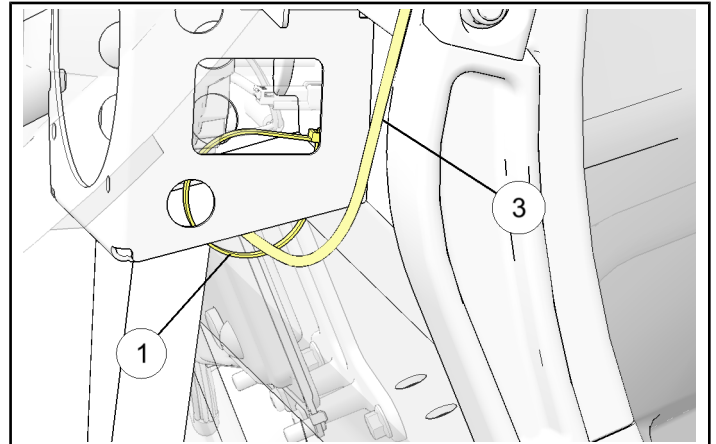
Make sure the electrical goes through the bracket opening and route the rest of the wire through the OPS as shown.



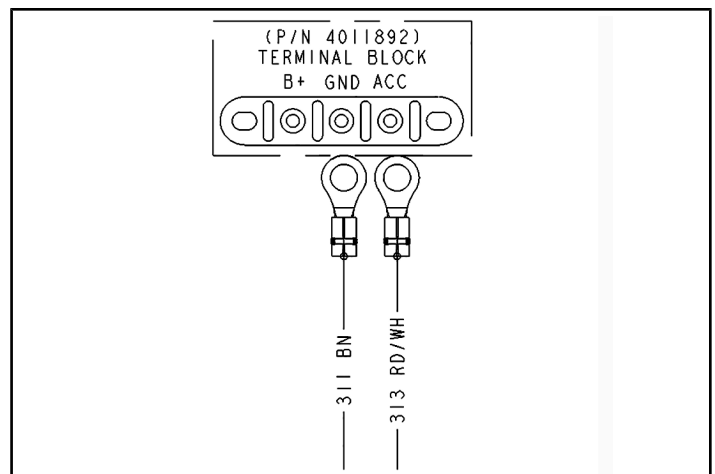
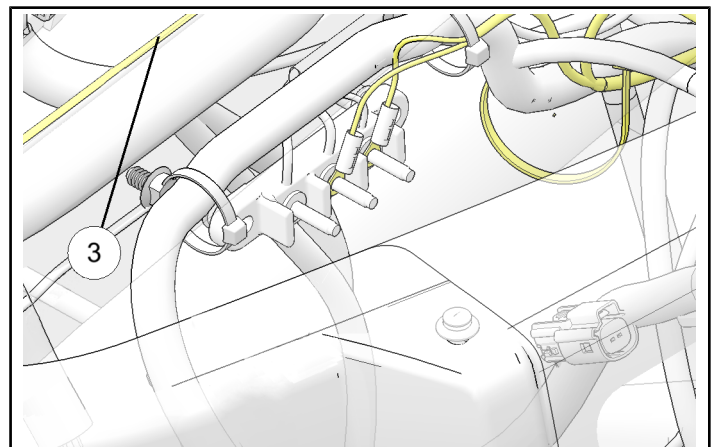
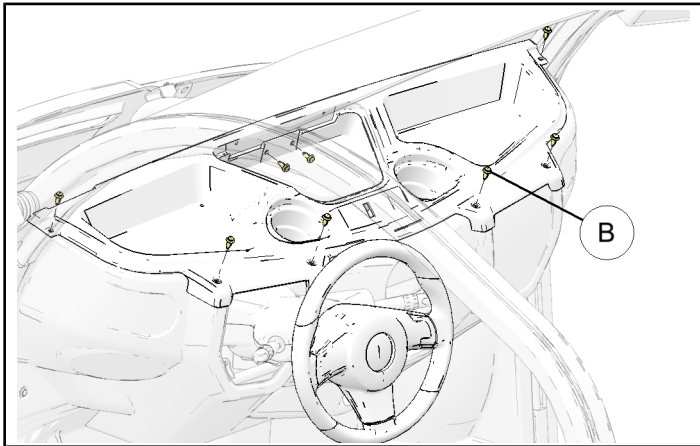
3. Lift the front trim and remove two thumb screws (A) from the hood under the charge port and pull the hood forward and away from the vehicle.



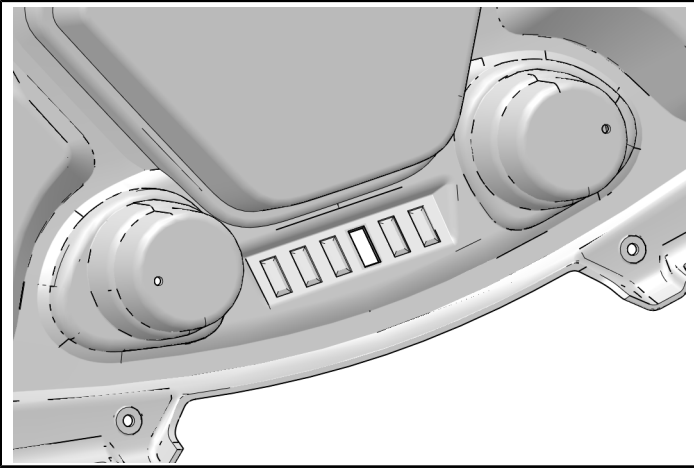
5. Route beacon light harness (3) through the OPS down to the terminal block. See following Images for routing and Panduit straps (1) as shown.



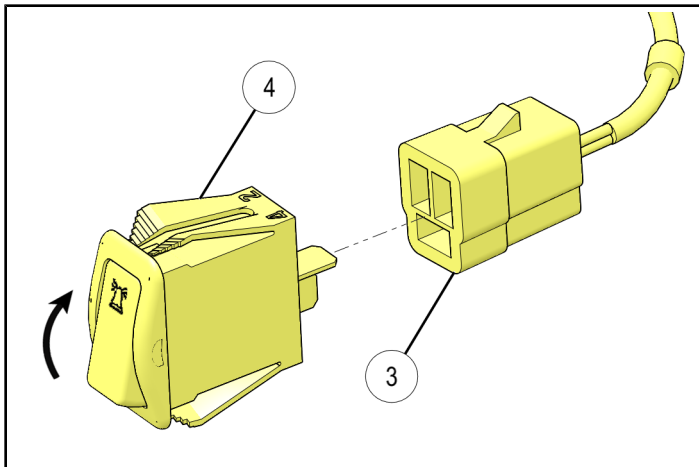
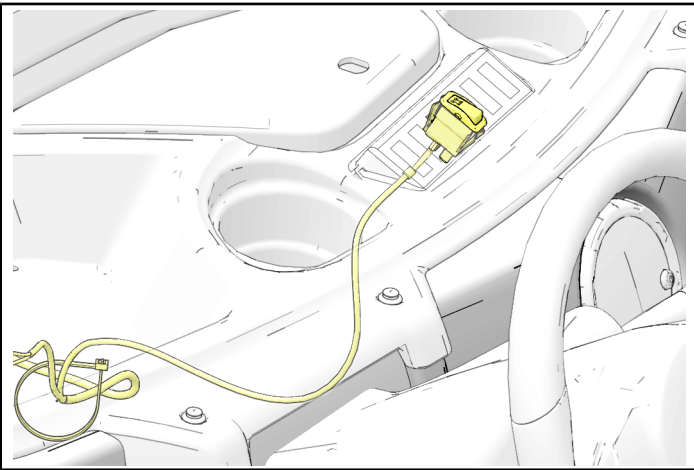
4. Remove the upper dash panel by loosening eight Tuflok® rivets (B) as shown.



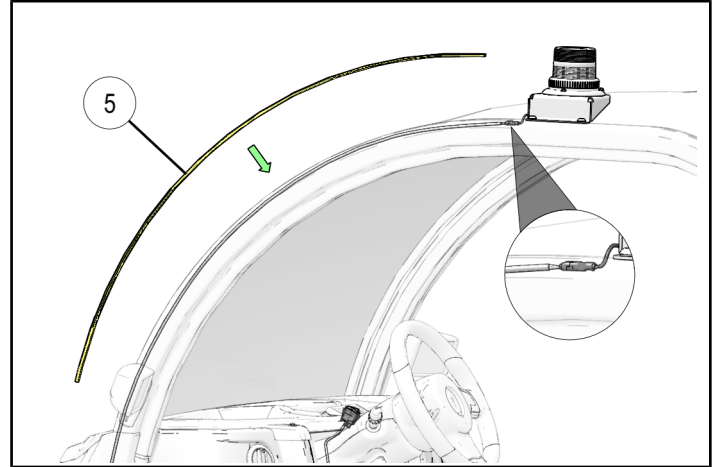
6. Cut opening in the upper dash for switch by following scribe line on inside of the upper dash.



7. Attach the beacon light switch ④ to the upper dash lid. Connect the harness ③ to the switch ④ as shown.



8. Connect the beacon harness to the beacon light wire and install extrusion cover ⑤ onto the harness as shown.



9. Reinstall the upper dash panel and hood.