

SECURITY LIGHTBAR KIT



P/N 2881803

APPLICATION

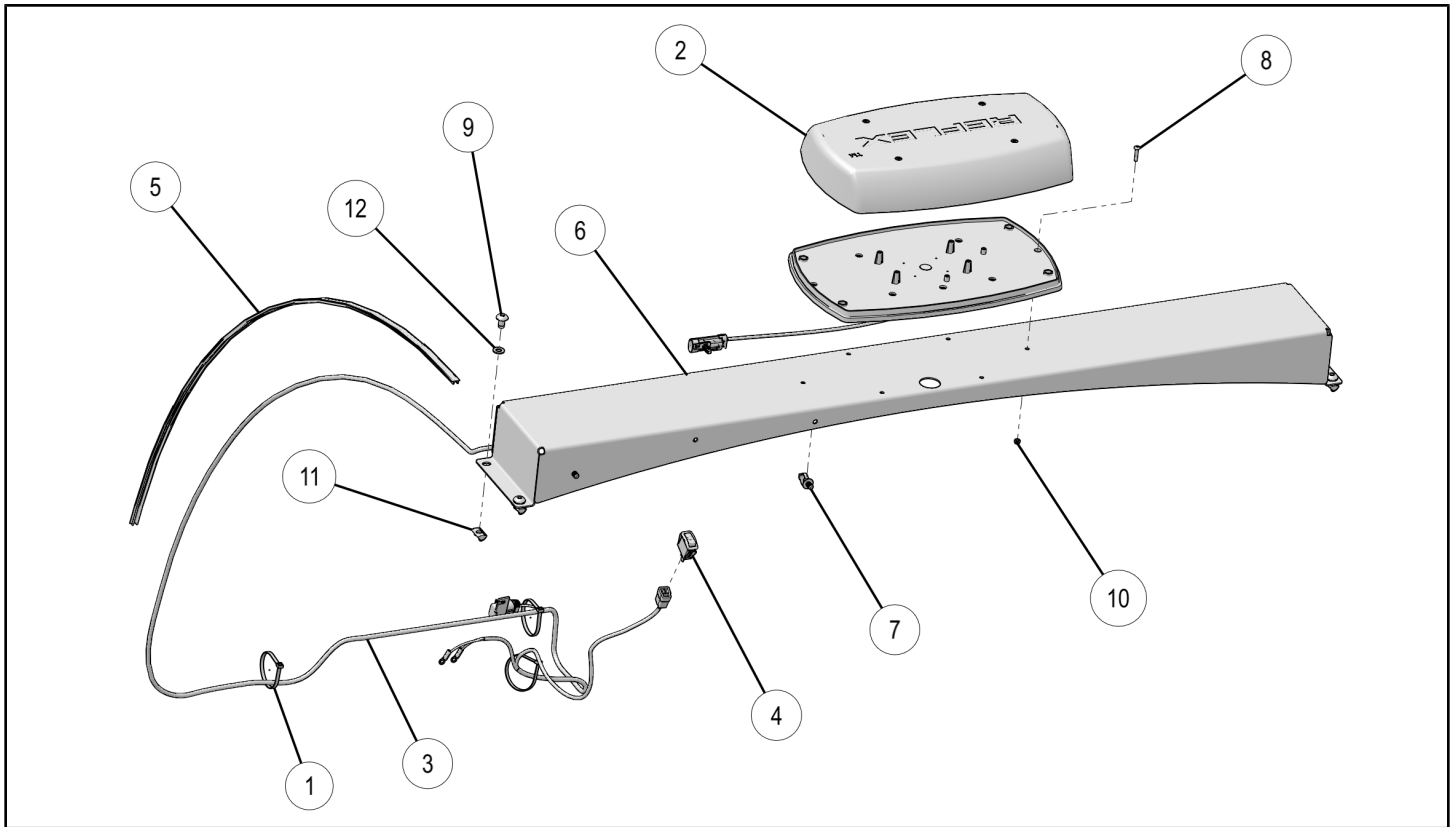
2016 GEM E2, E4, E6, and eL XD

BEFORE YOU BEGIN

Read these instructions and check to be sure all parts and tools are accounted for. Please retain these installation instructions for future reference and parts ordering information.

KIT CONTENTS

This Kit includes:



REF	QTY	PART DESCRIPTION	PART NUMBER
1	3	Panduit Strap, 11"	7080492
2	1	Lightbar, Amber	2413158
3	1	Harness Assembly, Lightbar	2413355
4	1	Switch, Roof Light	4015781
5	1	Extrusion-Cover, T-Slot	5522130-1240
6	1	Mount Bracket, Lightbar	5261584
7	2	Clip, Routing	7081496
8	6	Screw - 4 X 0.7 X 20	7518313

REF	QTY	PART DESCRIPTION	PART NUMBER
9	4	Torx® Screw - M8 X 1.25 X 15	7520391
10	6	Nut, Hex - M4 X 0.7	7547126
11	4	Nut, Roll-in - M8 X 1.25	7547806
12	4	Washer - 8.4 X 16.0 X 1.6	7556305
	1	Instructions	9926923

TOOLS REQUIRED

- Torx® Set and Ratchet
- Metric Wrench Set
- Phillips Screw Driver
- Utility Knife

IMPORTANT

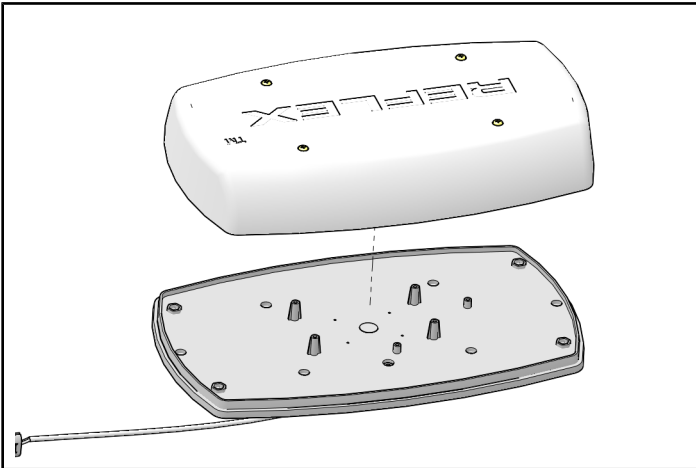
Your SECURITY LIGHTBAR KIT is exclusively designed for your vehicle. Please read the installation instructions thoroughly before beginning. Installation is easier if the vehicle is clean and free of debris. For your safety, and to ensure a satisfactory installation, perform all installation steps correctly in the sequence shown.

ASSEMBLY TIME

Approximately 45 minutes

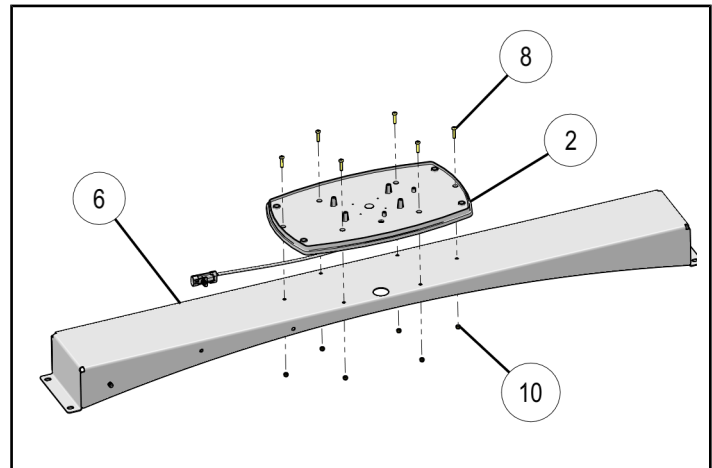
INSTALLATION INSTRUCTIONS

1. Remove four screws in light bar to remove lens.



2. Attach amber light bar ② to mounting bracket ⑥ with six screws ⑧ and nuts ⑩.

TORQUE
2 lb. ft. (2.41 Nm)



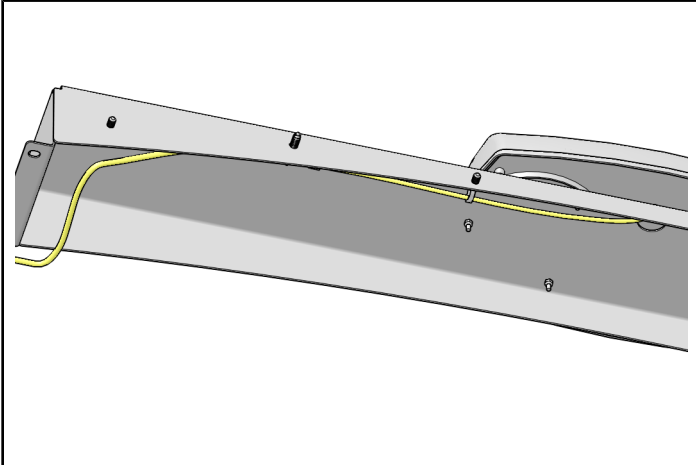
3. Reattach lens that was removed with four screws.

TORQUE

2 lb. ft. (2.41 Nm)

NOTE

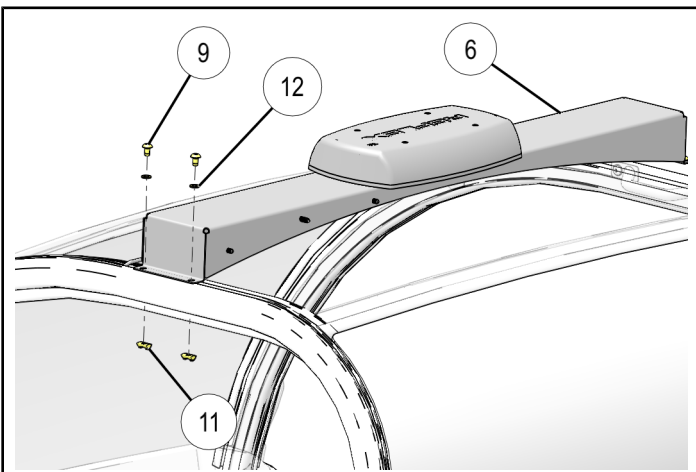
Make sure electrical goes through bracket opening.



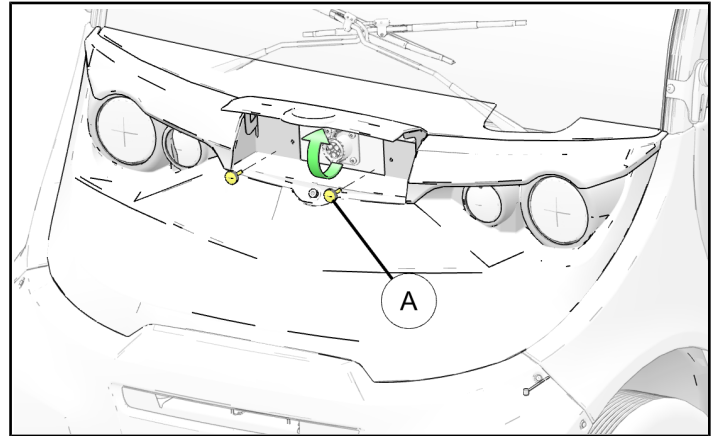
4. Slide four roll in T-nuts ⑪ into OPS, attach the amber light bracket ⑥ to roll in nuts in OPS with four bolts ⑨ and washers ⑫.

TORQUE

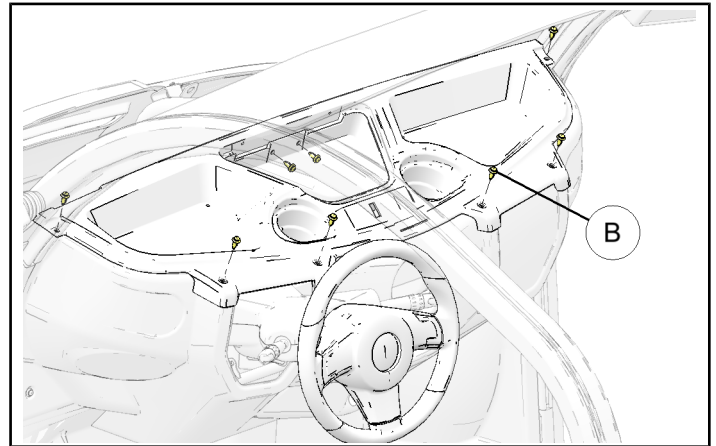
18 lb. ft. (24.4 Nm)



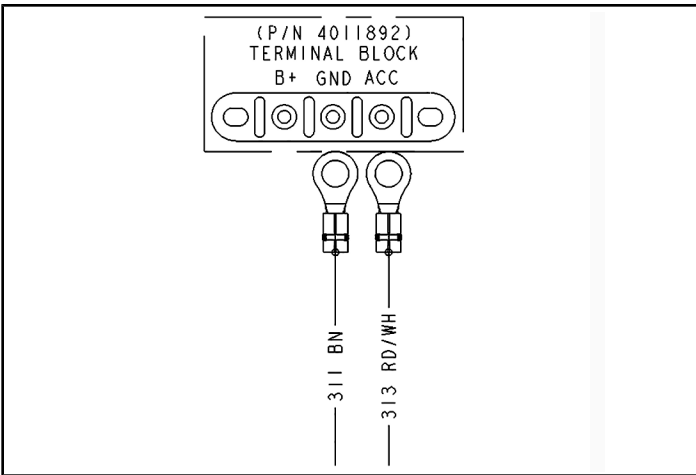
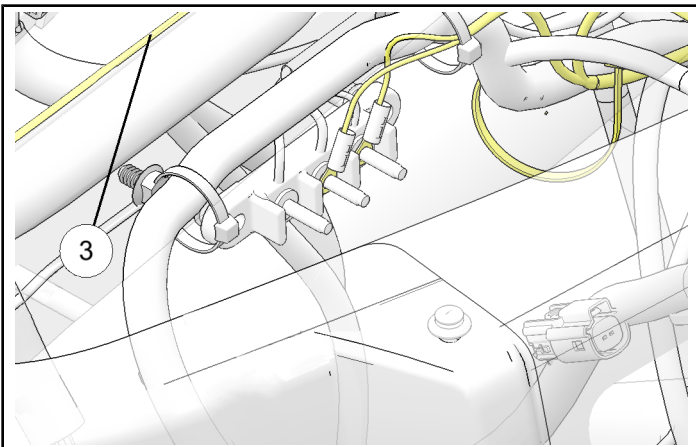
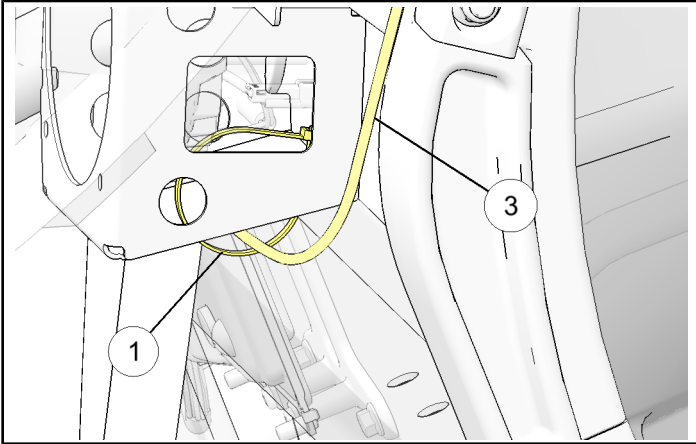
5. Lift the front trim and remove two thumb screws (A) from the hood under the charge port and pull the hood forward and away from the vehicle.



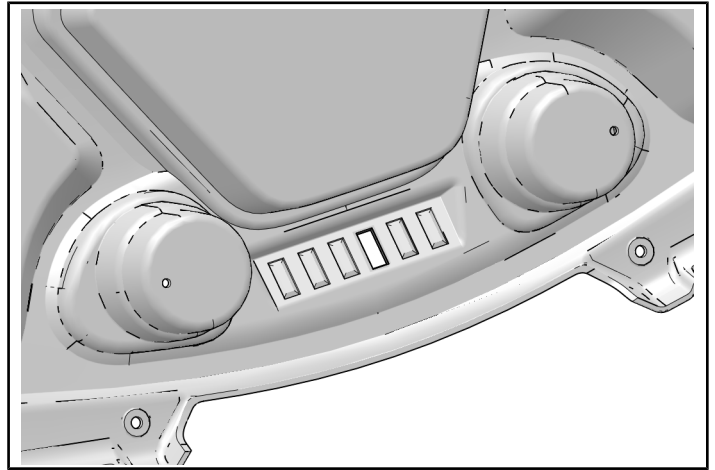
6. Remove the upper dash panel by loosening eight Tuflok® rivets (B) as shown.



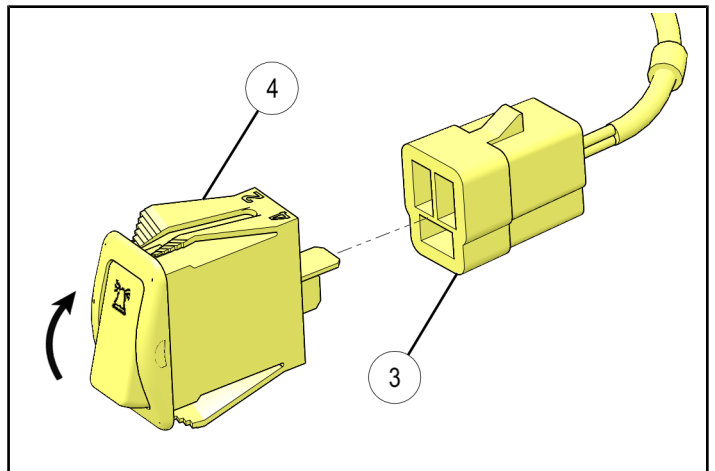
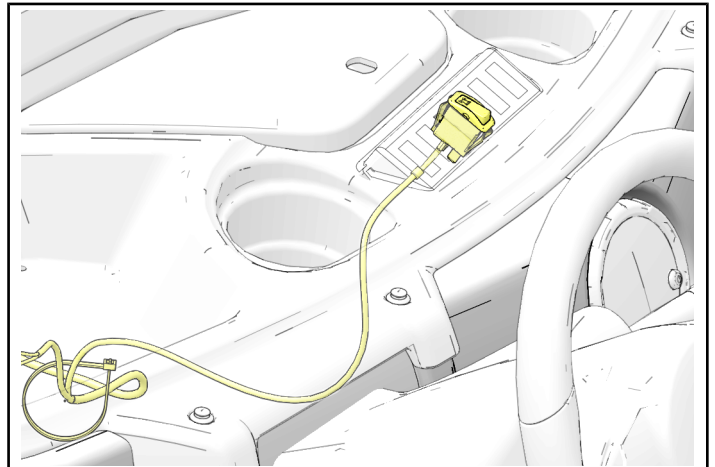
7. Route amber light bar harness ③ through OPS down to terminal block. See following figures for routing and Panduit straps ①.



8. Cut opening in the upper dash for switch by following scribe line on inside of the upper dash.



9. Attach the roof light switch ④ to the upper dash lid. Connect the harness ③ to the switch ④ as shown.



10. Connect the light bar harness to the light wire and install extrusion cover ⑤ onto the harness as shown.

11. Reinstall the upper dash panel and hood.

