

BOX SIDE KIT



P/N 2880070

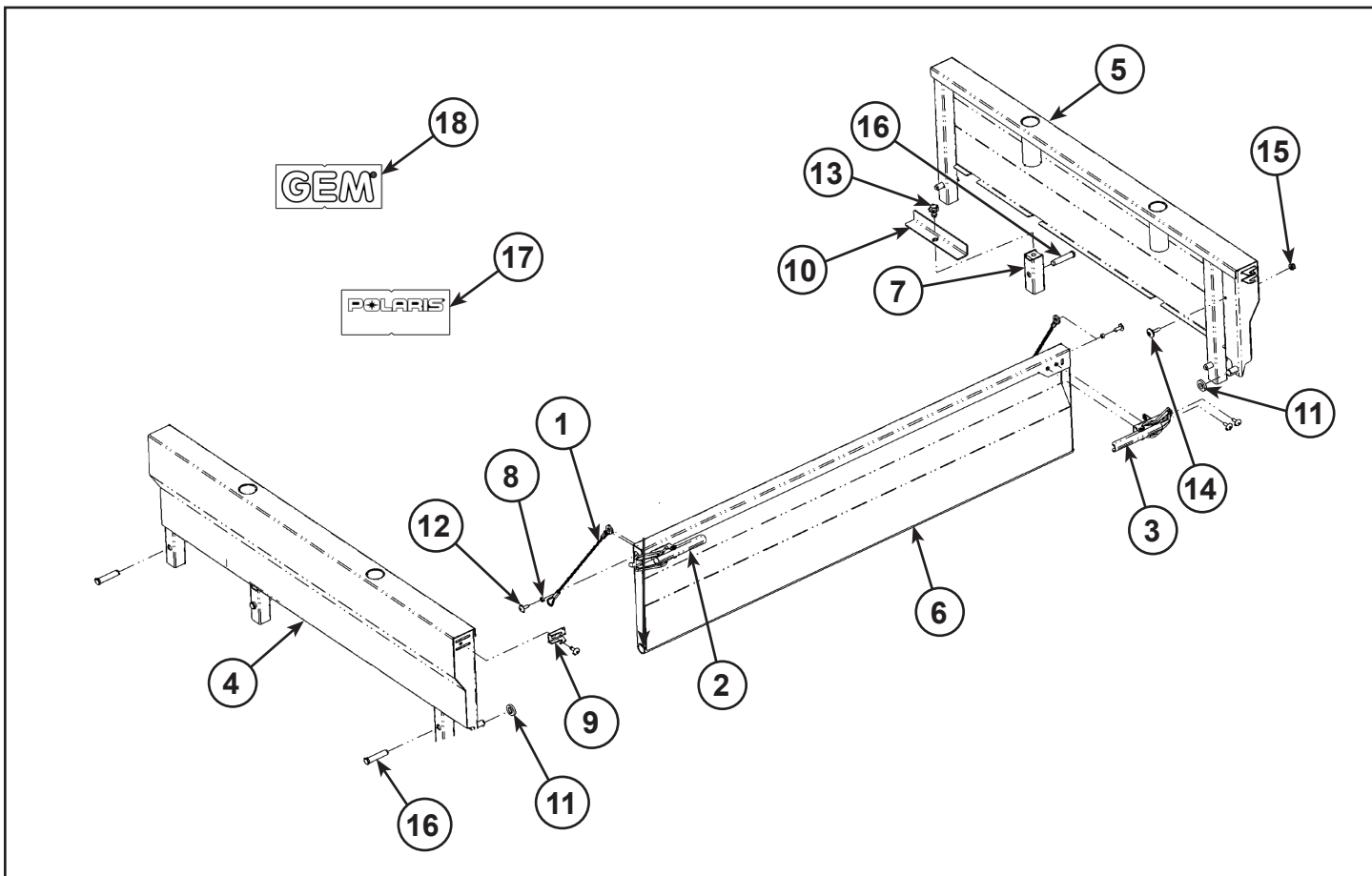
APPLICATION

GEM eM 1400 AND M1400

BEFORE YOU BEGIN

Read these instructions thoroughly and make sure all parts and tools are accounted for. Please retain these installation instructions for future reference and parts ordering information.

KIT CONTENTS



Ref	Qty	Part Description	Part Number
1	2	Cable-Tail Gate	7082076
2	1	Tail Gate Assembly, Latch, LH	1018849
3	1	Tail Gate Assembly, Latch, RH	1018850
4	1	Weld-Side, Box, LH	1020319
5	1	Weld-Side, Box, RH	1020320
6	1	Weld-Tail Gate	1020321
7	2	Weld Tube, Adapter, Black	1020354-458
8	2	Spacer- 0.265IDX 0.375ODX0.188	5136905
9	2	Bracket-Hook	5253074

Ref	Qty	Part Description	Part Number
10	2	Tie Down, Bracket - Bed, Black	5261145-458
11	2	Seat Belt, Rubber Washer	5813829
12	8	Screw-1/4-20X 0.75 TR/TX-M	7518280
13	2	M10 Screw, HXFL	7519905
14	2	M6 Screw, TXTH	7519942
15	2	M6 Nut-1/4-20 Nylok-Y	7547274
16	6	Detent Pin-Clevis	7662190
17	1	Decal, Block, Large	7181884
18	1	Decal-Gem, Block, Large	7180528
	1	Instructions	9925187

TOOLS NEEDED

Torx T27

Torx T40

10 mm Wrench

15 mm Wrench

APPROXIMATE ASSEMBLY TIME

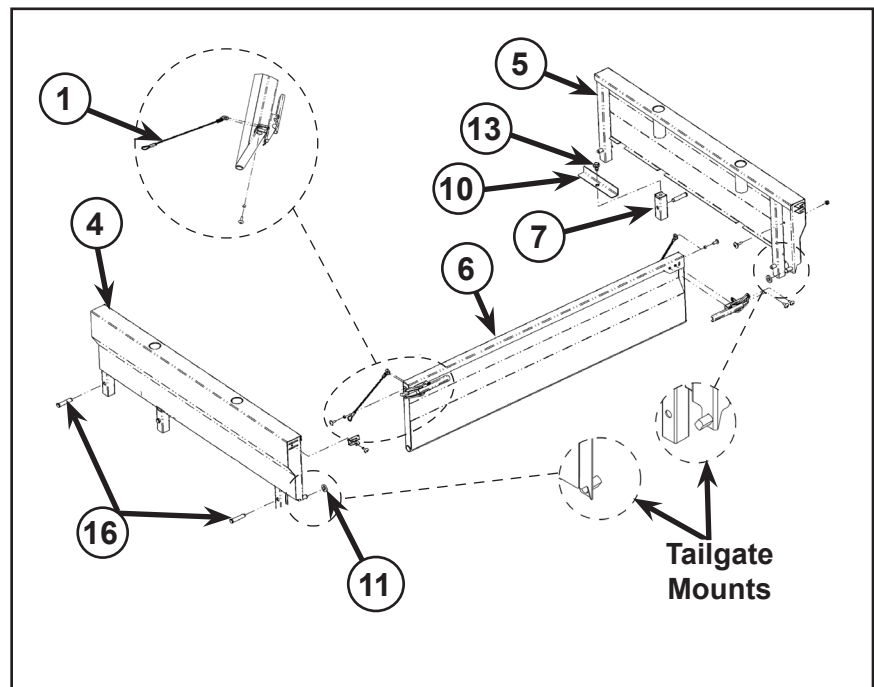
30 mins

IMPORTANT

Your Polaris BOX SIDE KIT is exclusively designed for your vehicle. Please read the installation instructions thoroughly before beginning. Installation is easier if the vehicle is clean and free of debris. For your safety, and to ensure a satisfactory installation, perform all installation steps correctly in the sequence shown.

INSTALLATION INSTRUCTIONS

1. Insert box sides LH (4) and RH (5) into square mounting holes on bed. Secure the latch catch using fasteners. Torque the nut to 5 ft. lbs. (6.78 Nm). Orient the tail gate (6) catches toward the rear of the vehicle as shown in figure.
2. Secure sides with detent pins (16) as shown in figure.
3. Install rubber washer (11) onto tailgate pivot pins. Ensure washer is fully seated at the base of the pin.
4. Install the tail gate onto mounting pins on box sides.
5. Secure the tail gate lanyards (1) to box sides lanyard mounts as shown in figure.
6. Install tube adapter (7) into remaining square mounting hole on each side with detent pins (16). Fasten bed tie down bracket (10) to each tube adapter using M10 screws (13) supplied in kit. Torque the screws to 10 ft. lbs. (13.56 Nm)



NOTE: Dealer will install decal later.