

MAX BOX KIT

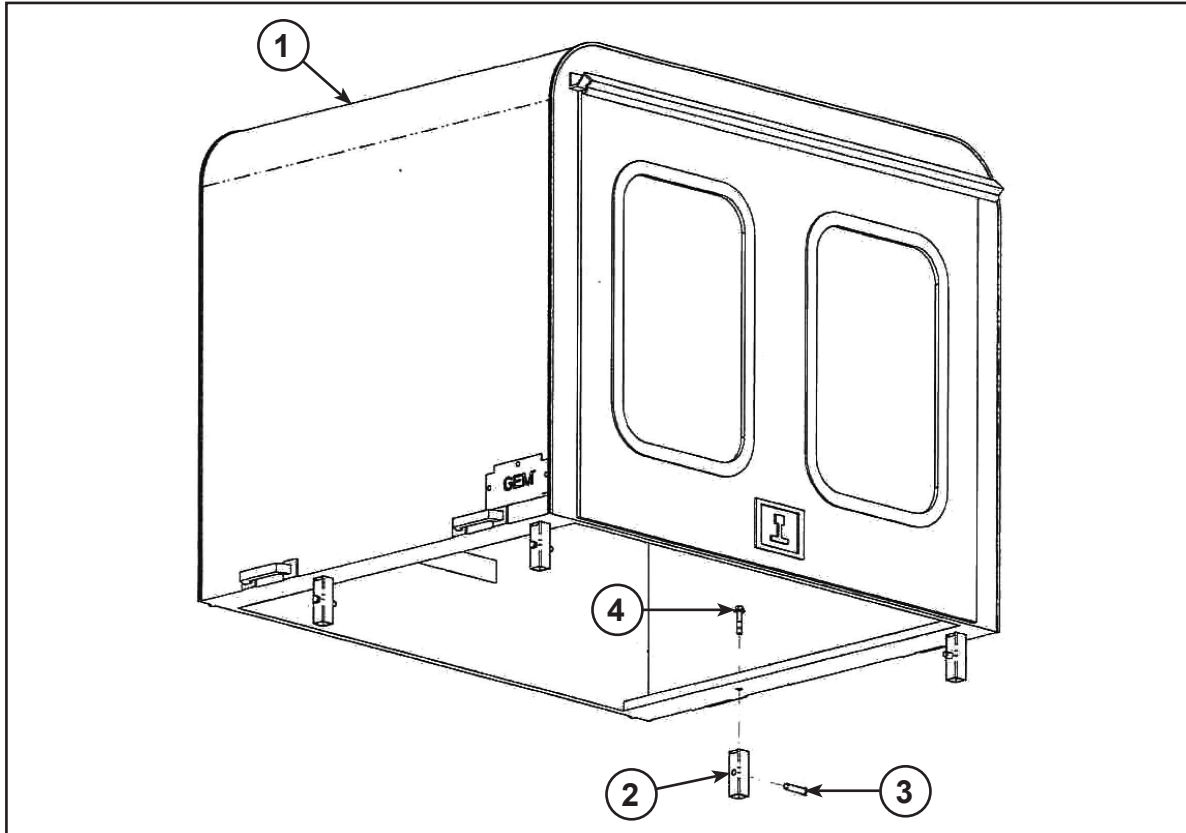
P/N 2880144

Application

GEM eM 1400



Before you begin, read these instructions and check to be sure all parts and tools are accounted for. Please retain these installation instructions for future reference and part ordering information.



This Kit Includes:

<u>Ref</u>	<u>Qty</u>	<u>Part Description</u>	<u>Part Number</u>
1	1	Max Box Assembly	2635296
2	4	Adapter	1020354
3	4	Detent Pin	7662190
4	4	Screw- HXFL-M10X1.5X50 10.9 ZOD	7519783
	1	Instructions	9925186

IMPORTANT: For your safety, and to ensure a satisfactory installation, perform all installation steps correctly in the sequence as shown on the attached instructions. Please wear safety glasses while performing the steps in the following instructions.

INSTALLATION INSTRUCTIONS:

1. Install four Lock & Work™ adapters in flat bed and secure with detent pins. Use rear most positions on sides.
2. Use exterior handles to place the max box on flat bed and align mounting holes with threaded adapter holes.
3. Secure the max box to flat bed with four M10 fasteners. Torque to 10 ft. lbs. (13.5 Nm).
4. Confirm proper door operation.