

FIXED GLASS WINDSHIELD KIT



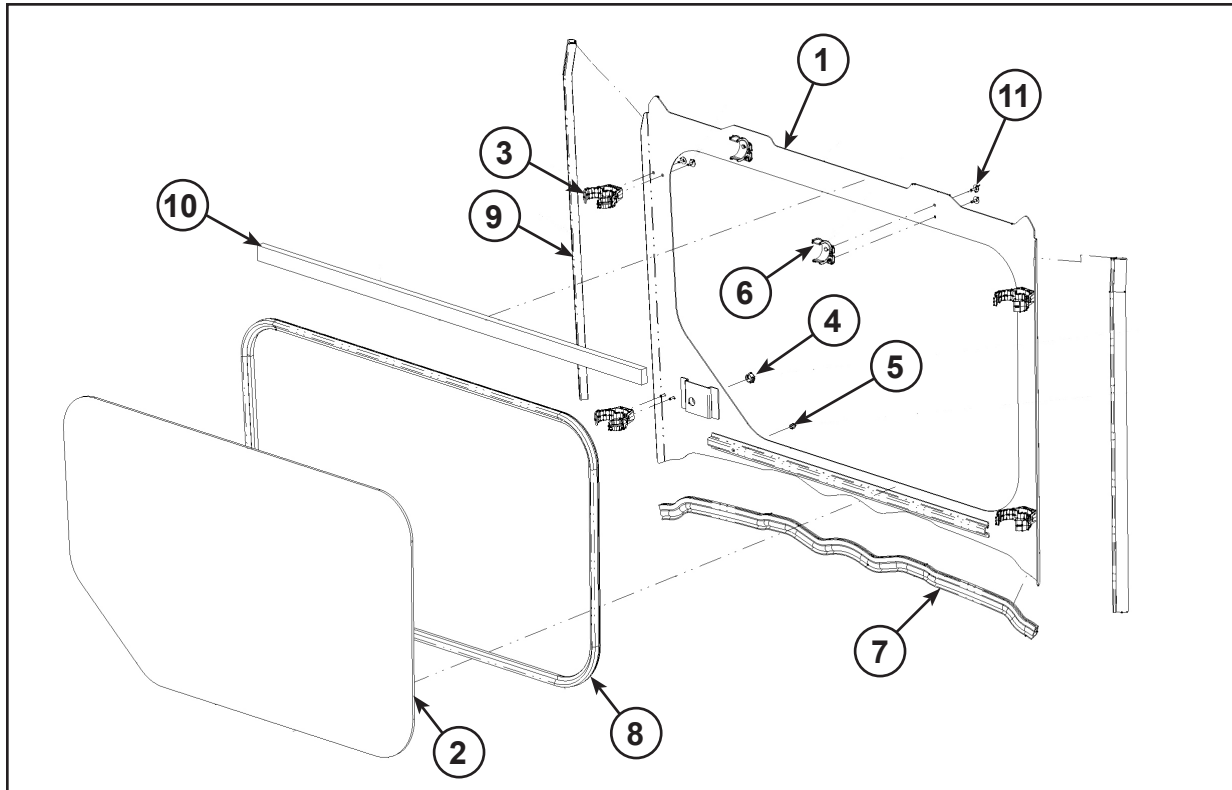
P/N 2880885

APPLICATION

eM1400, eM1400 LSV

BEFORE YOU BEGIN

Read these instructions thoroughly and make sure all parts and tools are accounted for. Please retain these installation instructions for future reference and parts ordering information.



KIT CONTENTS

Ref	Qty	Part Description	Part Number
1	1	Weld Frame	1021220
2	1	Glass Windshield, LSV	2635724
3	4	Plastic Clamp Kit, Snap	2878747
4	1	Plug - 13/16", Black	5452029
5	1	Plug - 3/8", Black	5452030
6	2	Clamp - Snap	5452032
7	1	Trim - Bulb	5522110_1239
8	1	Trim - Glass	5522111_3657
9	2	Trim - Bulb, Side	5522112_882
10	1	Trim - Foam W/ Adhesive	5522113_1524
11	4	Screw - SEMS - 10-24x.625	7519359
	1	Instructions	9925876

TOOLS NEEDED

T25 Torx

APPROXIMATE ASSEMBLY TIME

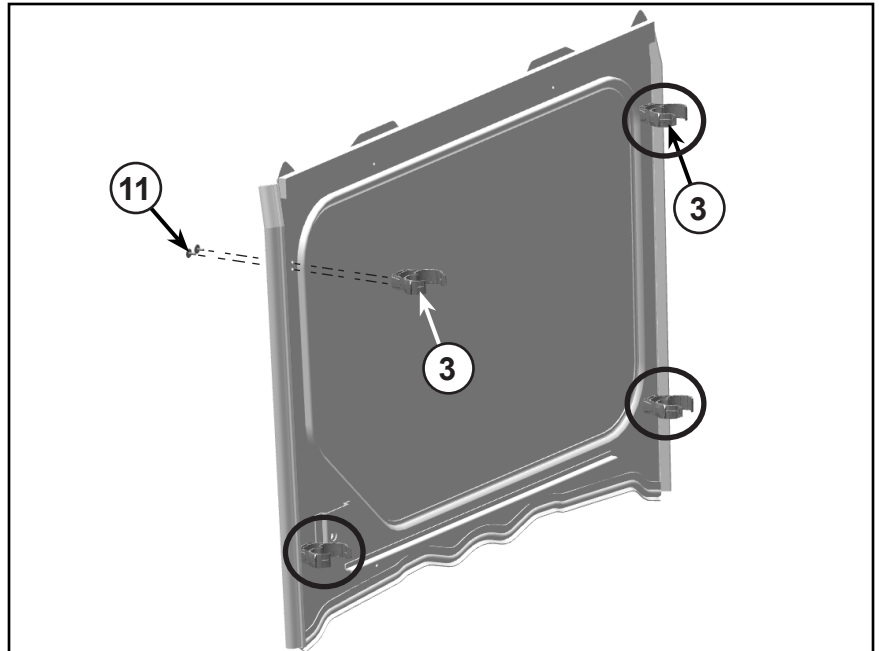
15 mins

IMPORTANT

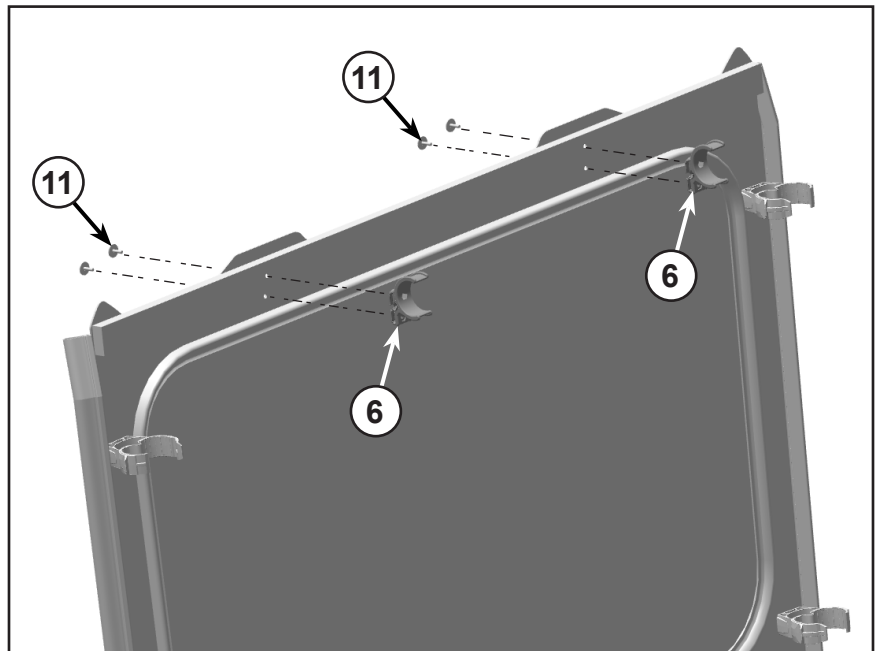
Your Polaris FIXED GLASS WINDSHIELD KIT is exclusively designed for your vehicle. Please read the installation instructions thoroughly before beginning. Installation is easier if the vehicle is clean and free of debris. For your safety, and to ensure a satisfactory installation, perform all installation steps correctly in the sequence shown.

INSTALLATION INSTRUCTIONS

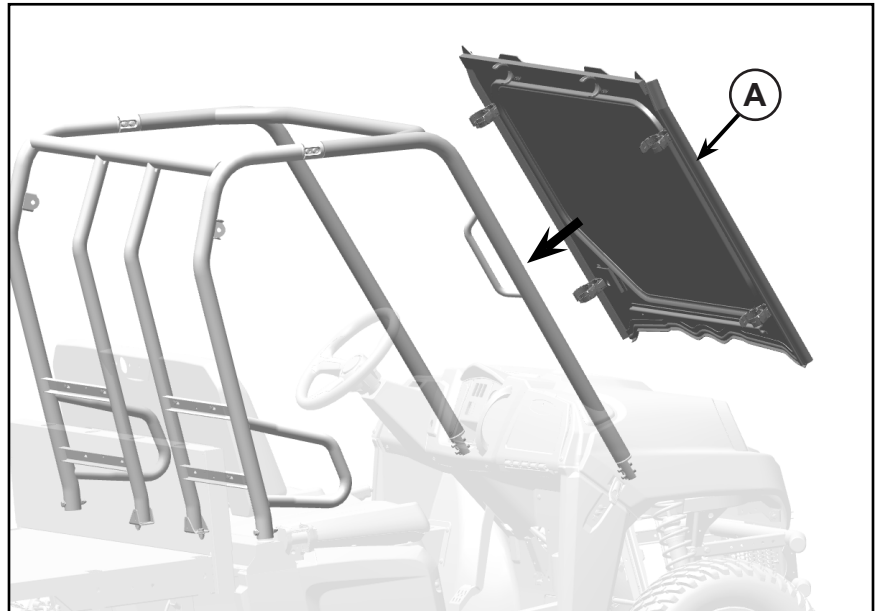
1. Install four full snap clamps (3) in the side mount locations of the windshield using eight torx screws (11). See figure. Torque to 30 in-lbs. (3.4 Nm).



2. Install two half snap clamps (6) in the top mount locations of the windshield using four torx screws (11). See figure. Torque to 30 in-lbs. (3.4 Nm).



3. Align the assembled windshield (A) with the front cab frame of the vehicle. Once all clamps have been aligned with the frame bars, press down to each clamp to snap into place. See figure.



4. If you are installing the cab roof, apply the adhesive foam seal to the roof where it meets the top of the windshield. This is meant to seal the gap between the windshield and roof.
5. Tighten all hardware.

IMPORTANT: Do not use glass cleaners and solvents such as ammonia, alcohol, and petroleum distillates.

CLEANING

1. Use an indirect high pressure water supply to rinse the large dirt particles from the windshield.
2. Once the majority of dirt is removed, use warm soapy water and a cotton terry cloth to wash all windshield components.
3. Rinse thoroughly and allow to air dry.

Use a quality polish such as Plexus® or Novus II® to clean and remove fine scratches from the windshield.