

# LSV BEACON KIT



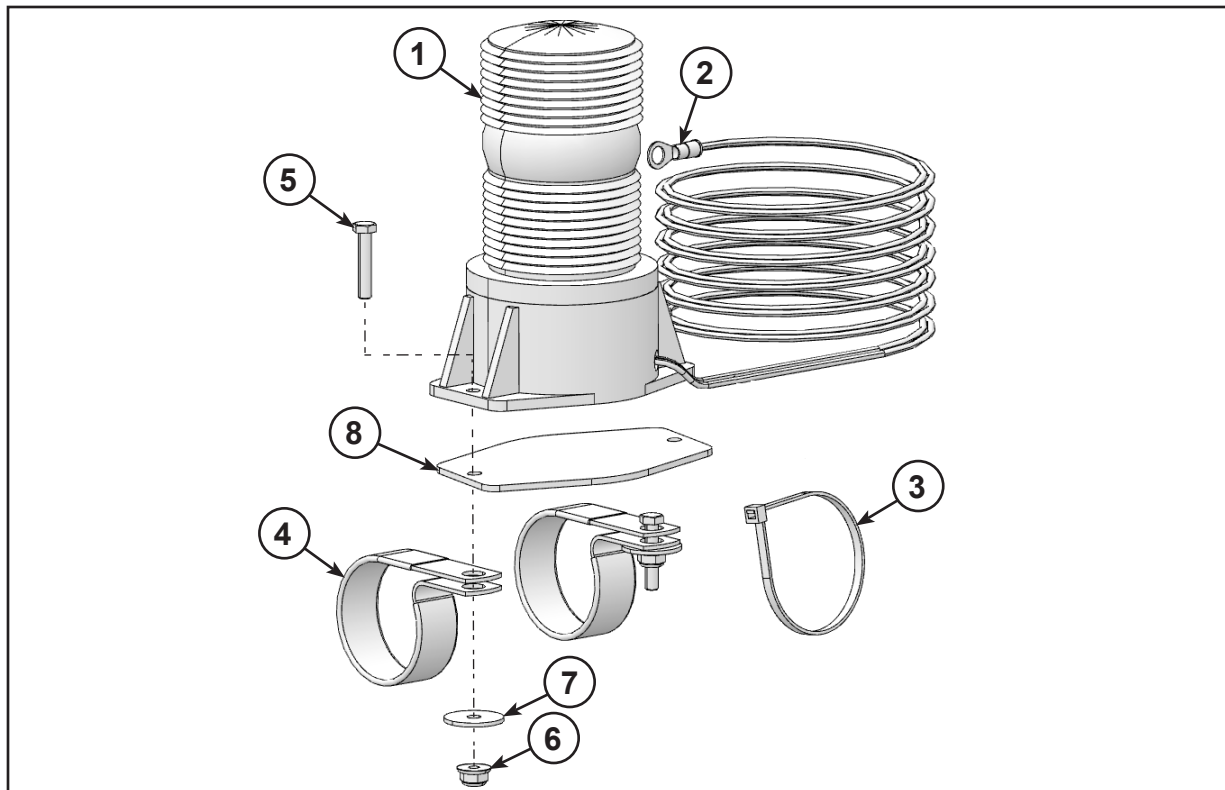
P/N 2880912

## APPLICATION

eM1400, eM1400 LSV, M1400

## BEFORE YOU BEGIN

Read these instructions thoroughly and make sure all parts and tools are accounted for. Please retain these installation instructions for future reference and parts ordering information.



## KIT CONTENTS

Ref	Qty	Part Description	Part Number
1	1	Beacon Lamp, Warning	4013807
2	2	Terminal Ring, 1/4", 14-16 Gage	4013932
3	5	Panduit Strap	7080138
4	2	Hose Clamp, 1.75	7081081
5	2	Hex Bolt - 10-24X1, Head Cap	7512007
6	2	Nyloc Nut - #10-24, Insert, Flange Y	7518287
7	2	Washer - .203X.875X.060-Y	7556044
8	1	Gasket, Beacon Lamp	5813792
	1	Instructions	9925887

## TOOLS NEEDED

Metric Socket Set                  Metric Wrench Set

## APPROXIMATE ASSEMBLY TIME

10 mins

## IMPORTANT

Your Polaris LSV BEACON KIT is exclusively designed for your vehicle. Please read the installation instructions thoroughly before beginning. Installation is easier if the vehicle is clean and free of debris. For your safety, and to ensure a satisfactory installation, perform all installation steps correctly in the sequence shown.

## INSTALLATION INSTRUCTIONS

1. Park the vehicle. Turn key to "OFF" position and remove from the vehicle.
2. Remove seat bottom.

**3. M1400:** Disconnect negative (black) and positive (red) cables from battery.

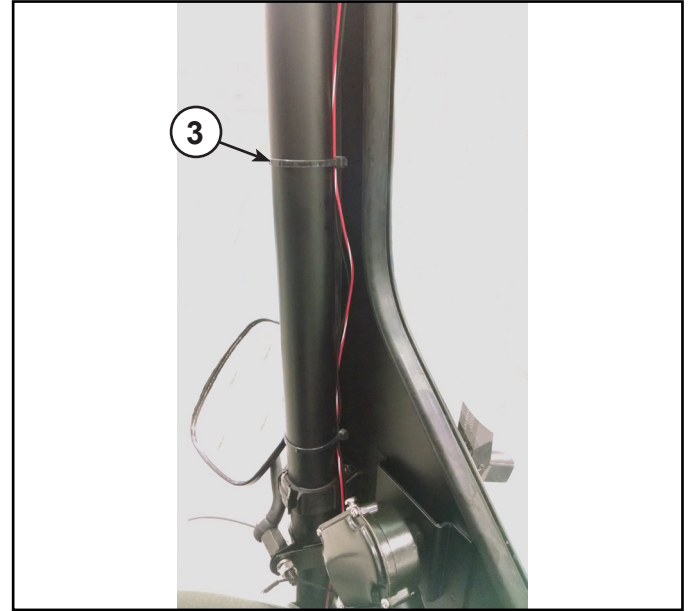
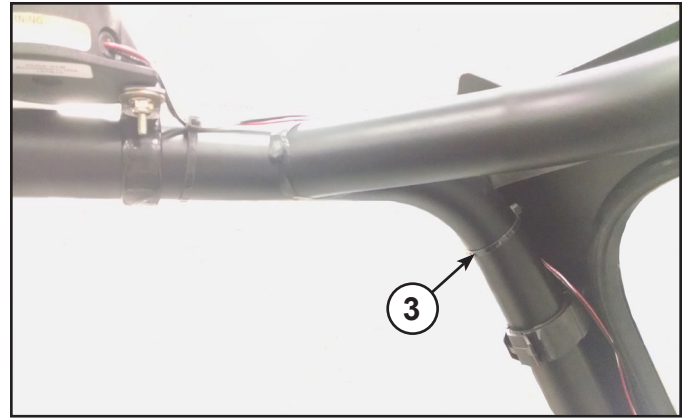
**eM1400, eM1400 LSV:** Disconnect main power connector. See Owner's Manual for reference.

4. Install the beacon lamp (1) to the ROPS bar with a two clamps (4) and gasket (8). Attach the clamp with a bolt (5), nut (6), and washer (7).

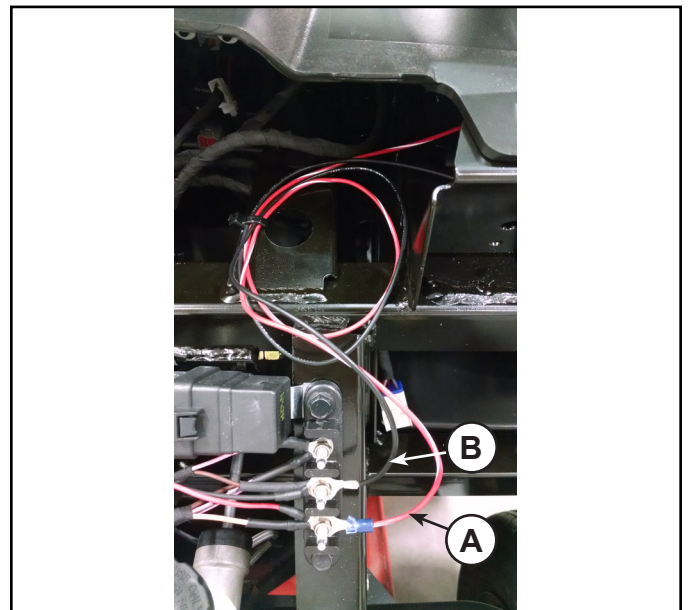
**NOTE:** If vehicle is equipped with a poly roof, install beacon lamp by drilling two holes through roof and use foam gasket between lamp and roof.



5. Connect the lamp with the wire terminal ring (2).  
Route the wire along with the ROPS bars as shown  
in the Figure and secure the routing with panduit  
straps (3).



6. Connect the red (A) and black (B) wires to bus bar  
as shown in figure.



7. **M1400:** Reconnect the negative (black) and positive (red) cables to battery.  
**eM1400, eM1400 LSV:** Reconnect master disconnect plug.
8. Reinstall the seat bottom.
9. Restart the vehicle and check properly functionality of the beacon light.