

MANUAL DUMP BOX KIT



P/N 2880999

APPLICATION

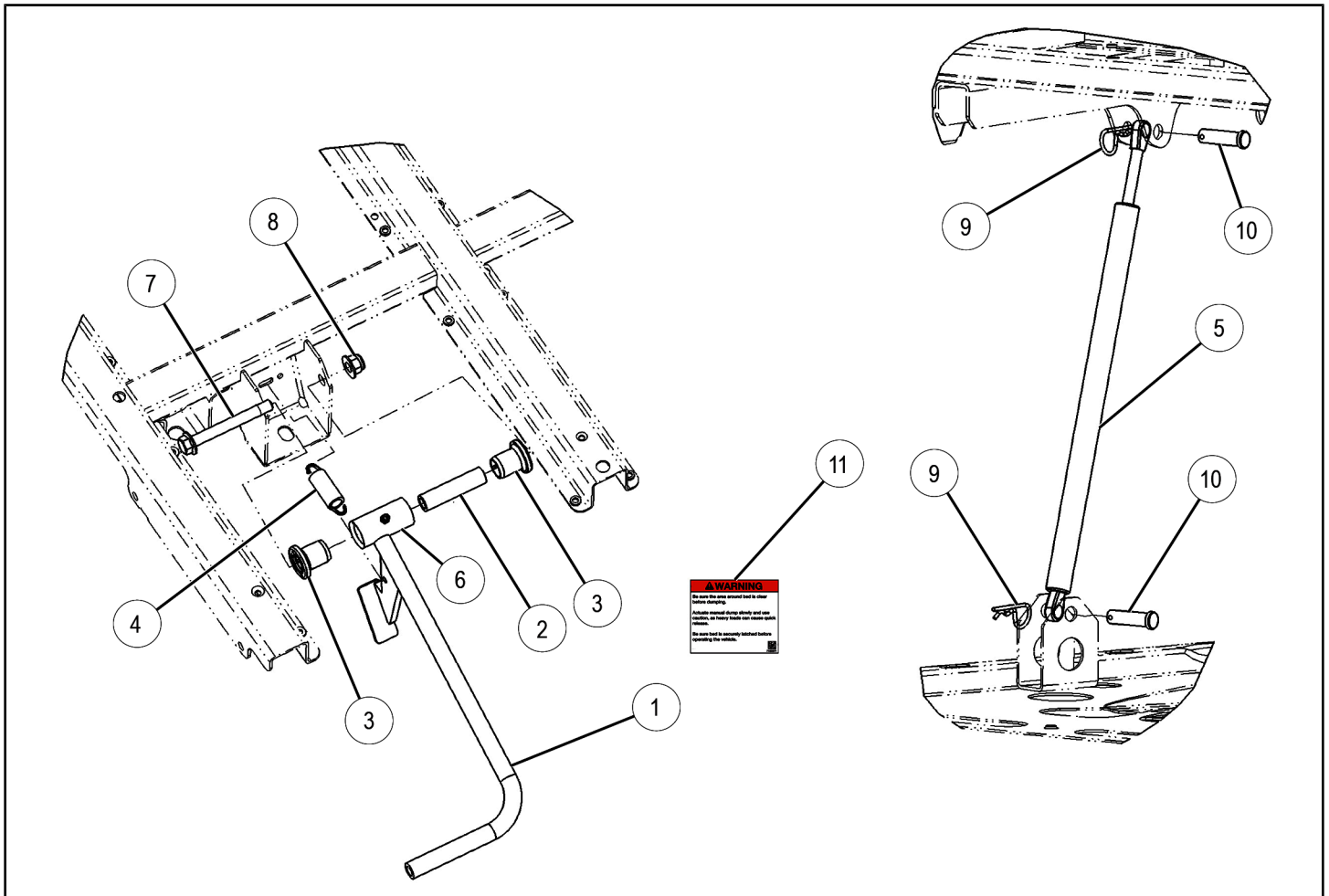
M1400

BEFORE YOU BEGIN

Read these instructions and check to be sure all parts and tools are accounted for. Please retain these installation instructions for future reference and parts ordering information.

KIT CONTENTS

This Kit includes:



REF	QTY	PART DESCRIPTION	PART NUMBER
1	1	Actuator Dump Weld	1021224
2	1	Shaft	5137346
3	2	Bushing	5439874
4	1	Spring	7041687
5	1	Shock Dump Box	7044675
6	1	Fitting - Lub	7080433

REF	QTY	PART DESCRIPTION	PART NUMBER
7	1	Bolt Hex Head Flange - M10 X1.5 X 85	7518466
8	1	Nut Hex Flange - M8 X 1.5	7547313
9	2	Hitch Clip	7661067
10	2	Clevis Pin	7661878
11	1	Decal, Safety	7180971
	1	Instructions	9925961

TOOLS REQUIRED

- 15mm Open End Wrench
- Spring Puller
- 15mm Socket
- Torque Wrench

IMPORTANT

Your MANUAL DUMP BOX KIT is exclusively designed for your vehicle. Please read the installation instructions thoroughly before beginning. Installation is easier if the vehicle is clean and free of debris. For your safety, and to ensure a satisfactory installation, perform all installation steps correctly in the sequence shown.

ASSEMBLY TIME

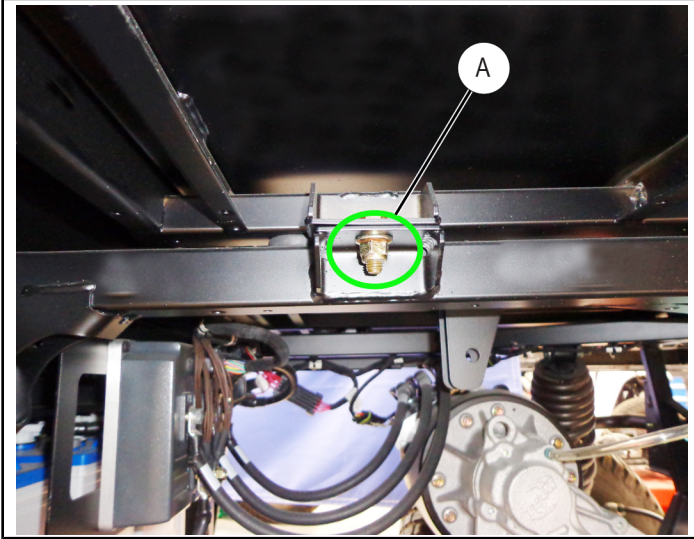
Approximately 15 minutes

INSTALLATION INSTRUCTIONS

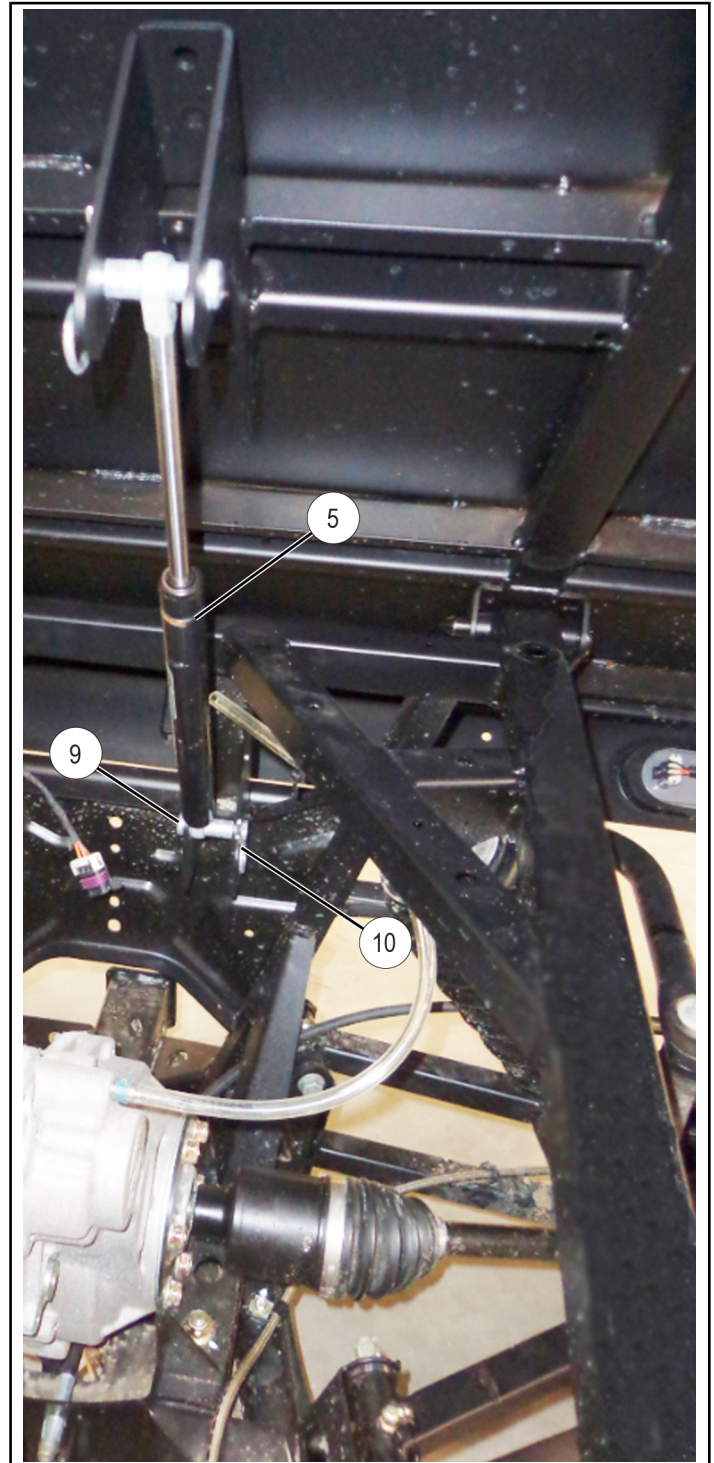
1. Remove fasteners (A) on each side to allow the bed to tilt as shown.

NOTE

Do not tilt bed more than necessary to complete Step 2 or damage to exhaust may occur.



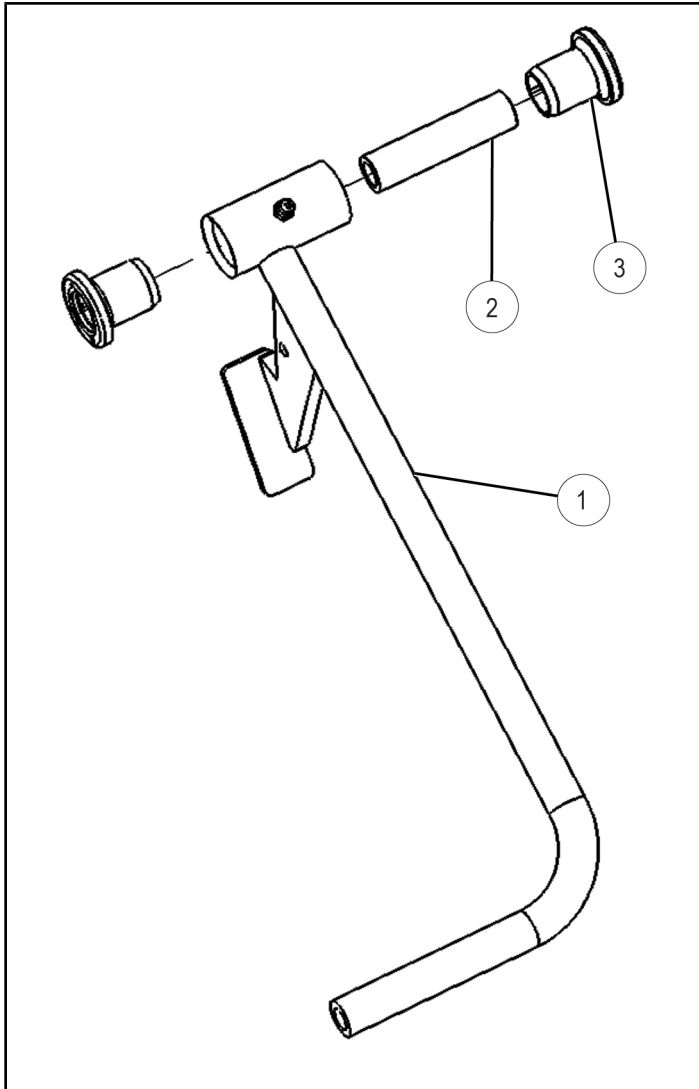
2. Install the shock (5) to hold the bed up. Engage the clevis pins (10) and hitch pin (9) clips with the shock as shown.



3. Install two bushings ③ and shaft ② onto the latch lever ① as shown.

NOTE

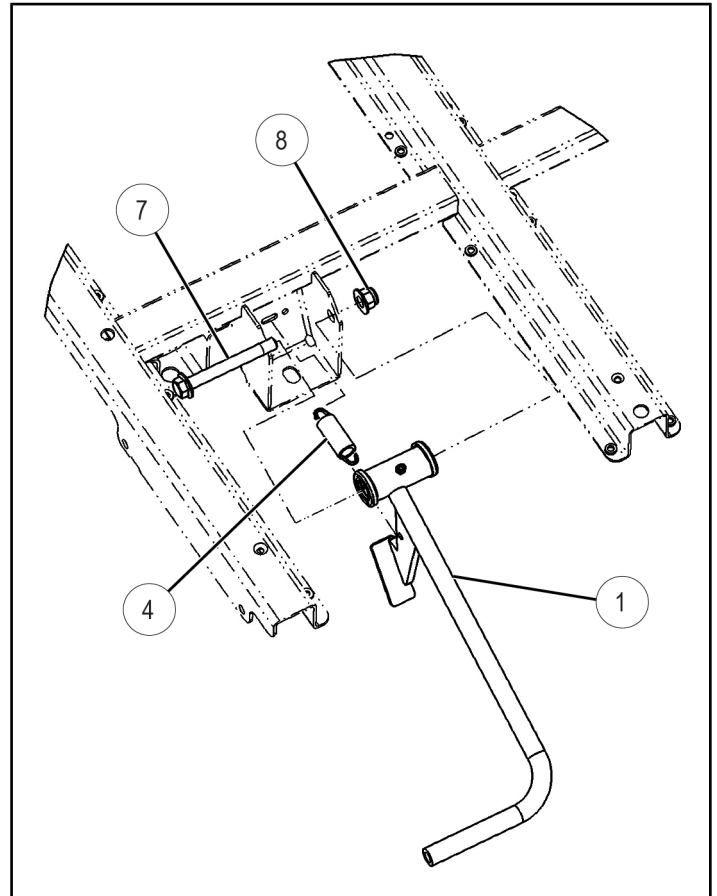
Grease zerk fitting using premium all-season grease (PN 8570063).



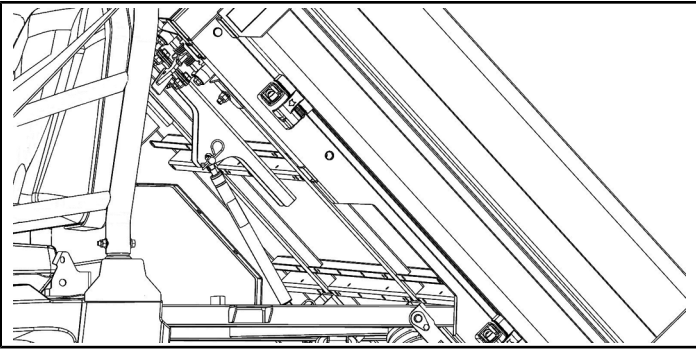
4. Insert bolt ⑦ into the dump latch ①. After aligning it with the mounting holes found underneath the cargo bed on the drivers side. (from the same bracket you removed the bed hold down bolts) as shown.
5. Install spring ④ onto bed frame and latch lever ① using spring puller. Fasten nut ⑧ in place with 15mm ratchet and open end wrench as shown. Torque to specification.

TORQUE

30 ft. lbs. (40.6 Nm)



6. Install manual dump box on vehicle as shown.



7. Position the decal ⑪ as shown.

