

MIRROR KIT



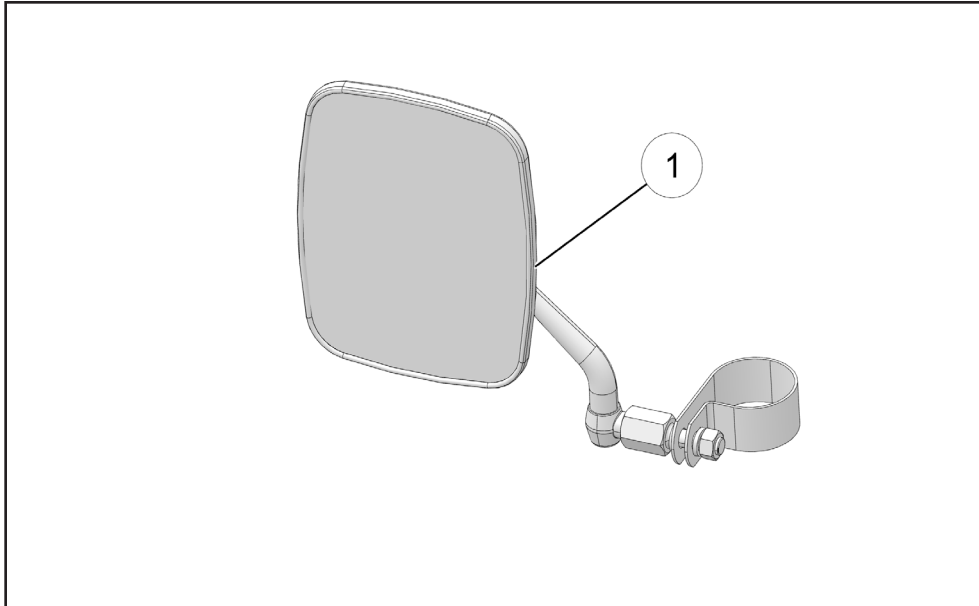
P/N 2881001; 2881002; 2881011 AND 2881012

APPLICATION

eM1400, eM1400 LSV OR M1400

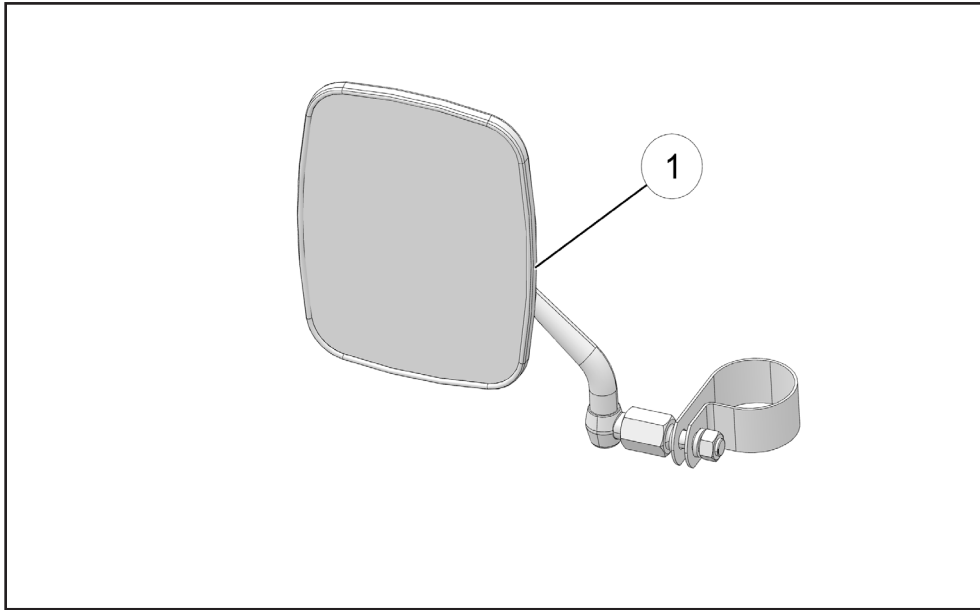
BEFORE YOU BEGIN

Read these instructions thoroughly and make sure all parts and tools are accounted for. Please retain these installation instructions for future reference and parts ordering information.



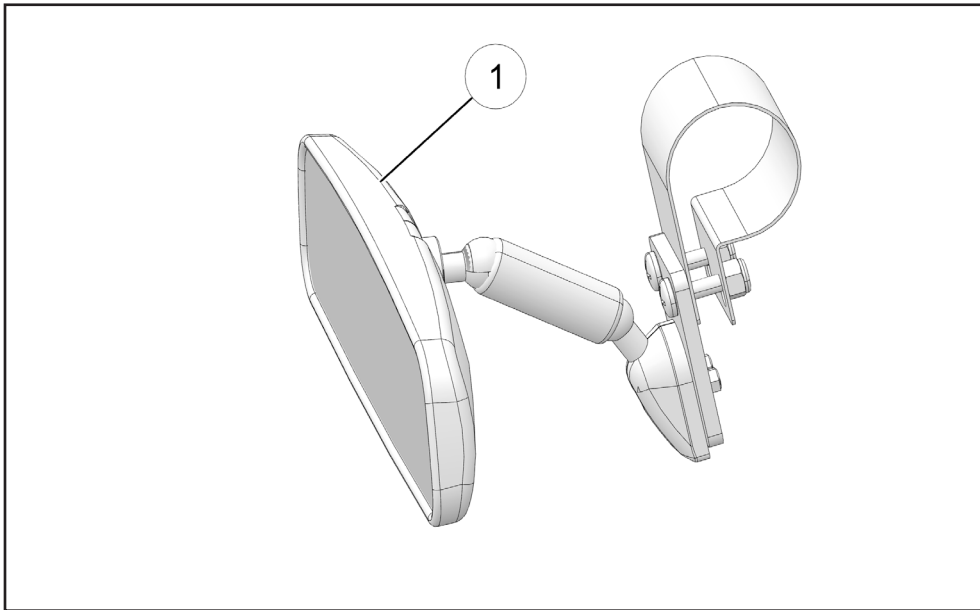
KIT CONTENTS (FOR PN 2881001)

Ref	Qty	Part Description	Part Number
1	1	Side Mirror, Driver	2635705
2	1	Loctite-263, 0.5 ml, Red	8560228
	1	Instructions	9925963



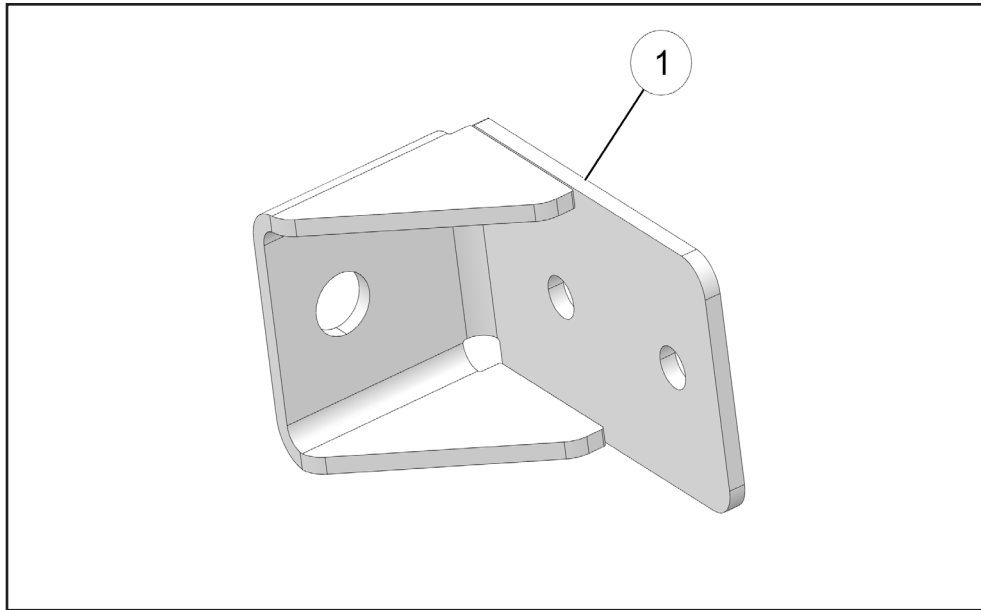
KIT CONTENTS (FOR PN 2881002)

Ref	Qty	Part Description	Part Number
1	1	Passenger Mirror	2635824
2	1	Loctite-263, 0.5 ml, Red	8560228
	1	Instructions	9925963



KIT CONTENTS (FOR PN 2881011)

Ref	Qty	Part Description	Part Number
1	1	Rear View Mirror, Day / Night	2635646
2	1	Loctite-263, 0.5 ml, Red	8560228
	1	Instructions	9925963



KIT CONTENTS (FOR PN 2881012)

Ref	Qty	Part Description	Part Number
1	1	Side Mirror Bracket	5260675-458
	1	Instructions	9925963

TOOLS NEEDED

Metric Wrench Set Safety Glasses T20 Torx
 Metric Socket Set Phillips Screwdriver

APPROXIMATE ASSEMBLY TIME

10 mins

IMPORTANT

Your Polaris MIRROR KIT is exclusively designed for your vehicle. Please read the installation instructions thoroughly before beginning. Installation is easier if the vehicle is clean and free of debris. For your safety, and to ensure a satisfactory installation, perform all installation steps correctly in the sequence shown.

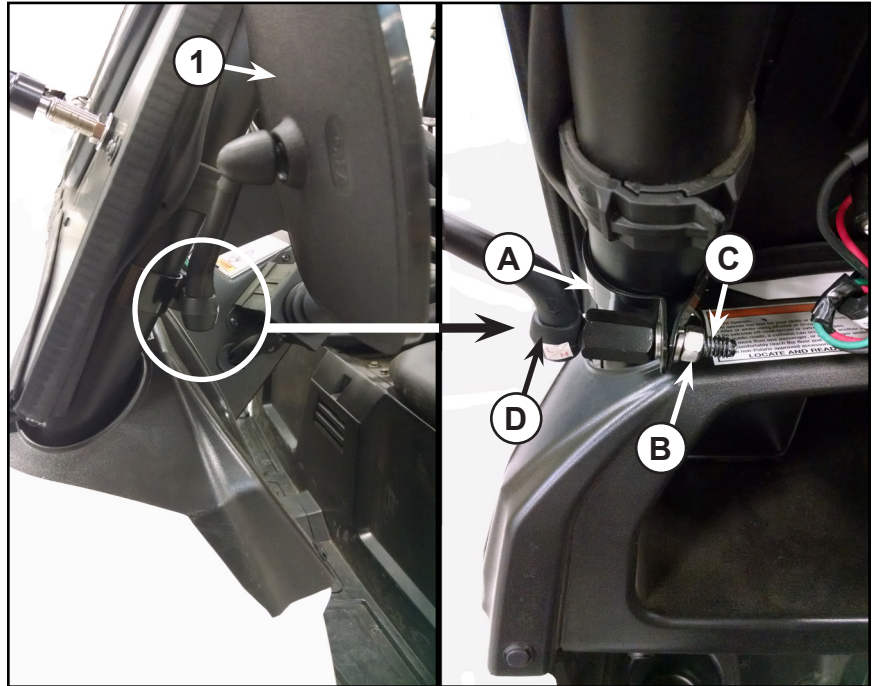
INSTALLATION INSTRUCTIONS

1. Park the vehicle. Turn key to "OFF" position and remove from the vehicle.

Side (Driver) Mirror Installation (PN 2881001)

2. Assemble mirror (D) to mount adapter (B) using red Loctite. Torque to 20 in-lbs. (2.26 Nm).
3. Fix the clamp (A) to the front (driver) side ROPS bar by using mount adapter (B) and nut (C). Ensure the mirror is approximately aligned with respect to the driver's seat position prior to tightening nut. Torque the nut to 2 ft. lbs. (2.7 Nm) as shown in figure.

NOTE: All coarse up and down adjustment of the mirror should be done with a wrench on the flat surfaces of the adapter body (B). Do not attempt to adjust the mirror by rotating it (D) in the Mount Adapter (B). Confirm the side mirror is aligned and adjusted with respect to the driver's seat position.



Passenger Mirror Installation (PN 2881002)

4. Follow same steps as Drivers Side kit above (oriented with passenger side components) for passenger side mirror installation.

Side Mirror Installation if Doors and Glass windshield are installed (PN 2881012)

5. Remove two mount screws (E) from windshield.
6. Install side mirror bracket using screws previously removed. Torque to 30 in-lbs. (3.4 Nm).
7. Assemble mirror to bracket using mount adapter. Ensure the mirror is approximately aligned with respect to the driver's seat position prior to tightening nut. Torque the nut to 2 ft. lbs. (2.71 Nm).
8. Confirm the side mirror is aligned and adjusted with respect to the driver's seat position.



Rear View Mirror Installation (PN 2881011)

9. Mount the clamp (F) on the center of the upper trim with two screws (G) and relevant nuts (H). Torque the screws to 2 ft. lbs. (2.7 Nm). See Figure.
10. Mount the mirror (1) on the clamp by tightening screw as shown in Figure.
11. Adjust the mirror view with respect to the driver's seat position.

