

MIRROR KIT



P/N 2881001, 2881002, 2881011, 2881012

APPLICATION

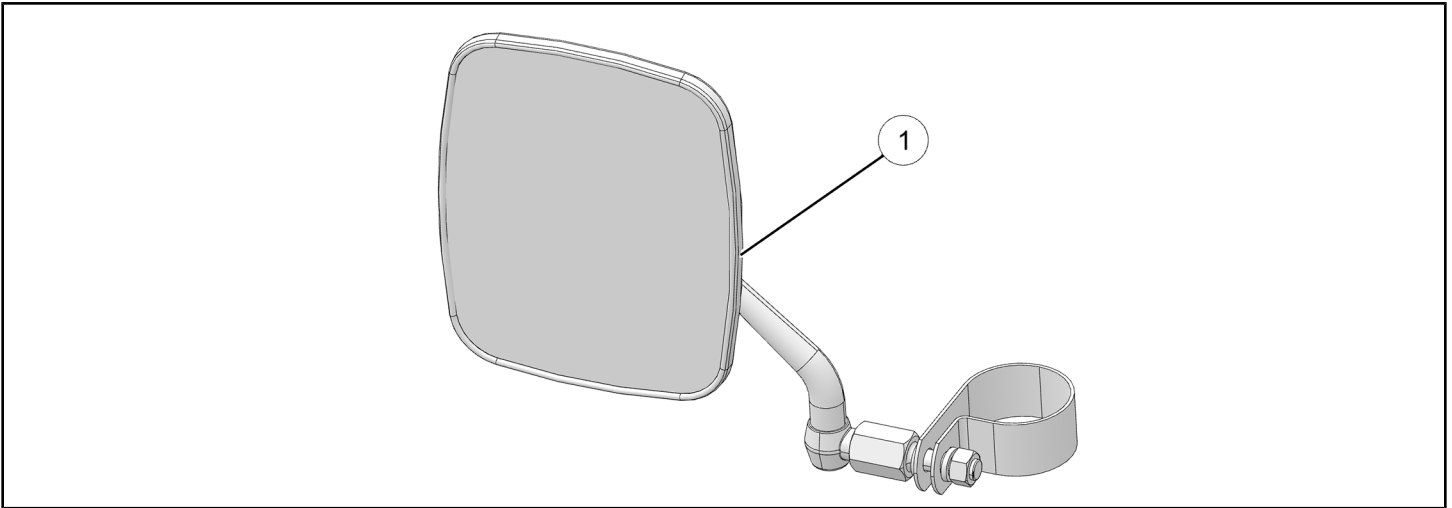
eM1400, eM1400 LSV or M1400

BEFORE YOU BEGIN

Read these instructions and check to be sure all parts and tools are accounted for. Please retain these installation instructions for future reference and parts ordering information.

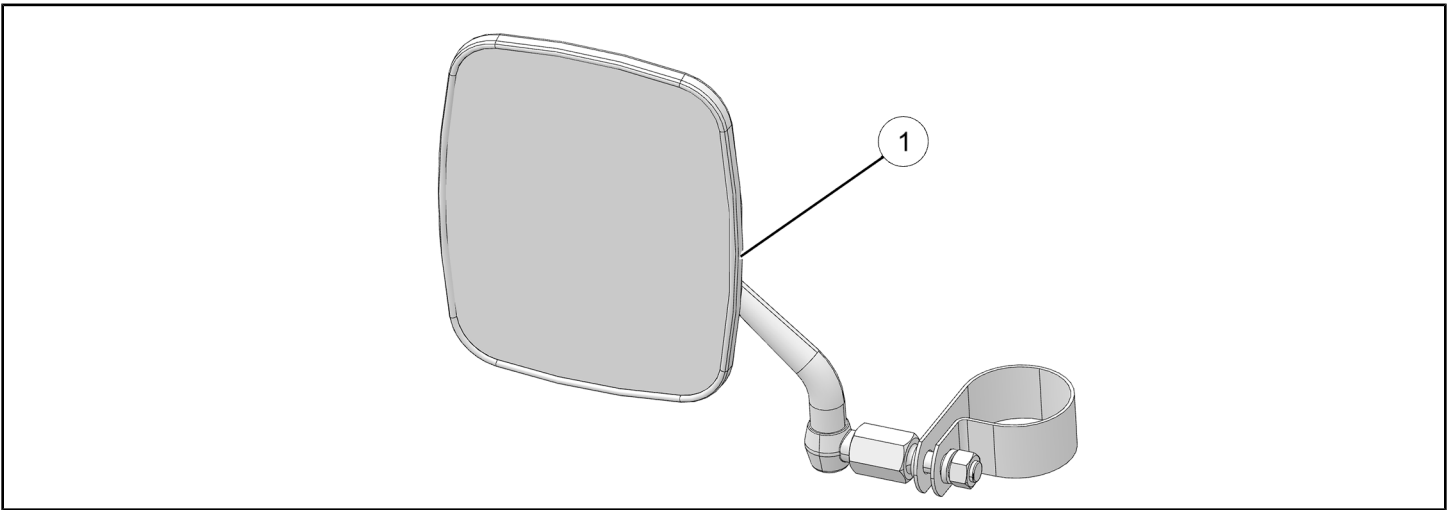
KIT CONTENTS

Kit PN 2881001 includes:



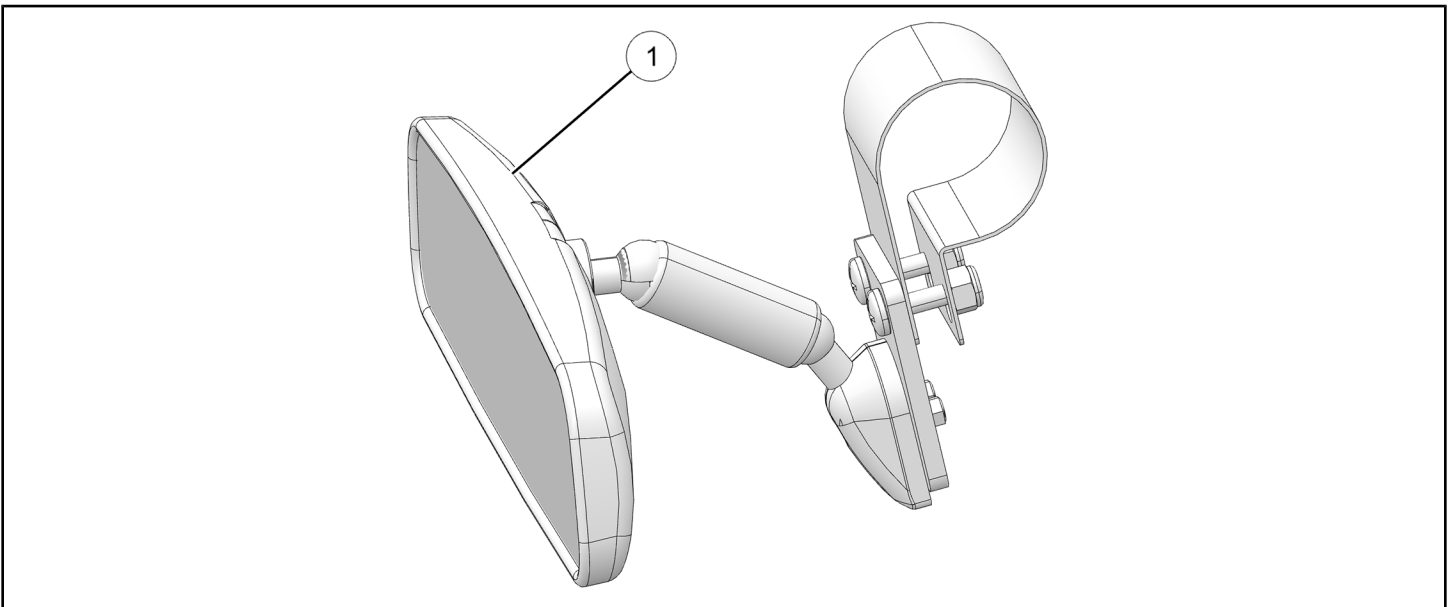
REF	QTY	PART DESCRIPTION	PART NUMBER
1	1	Side Mirror, Driver	2635705
2 (Not Shown)	1	Loctite - 263, 0.5 ml, Red	8560228
	1	Instructions	9925963

Kit PN 2881002 includes:



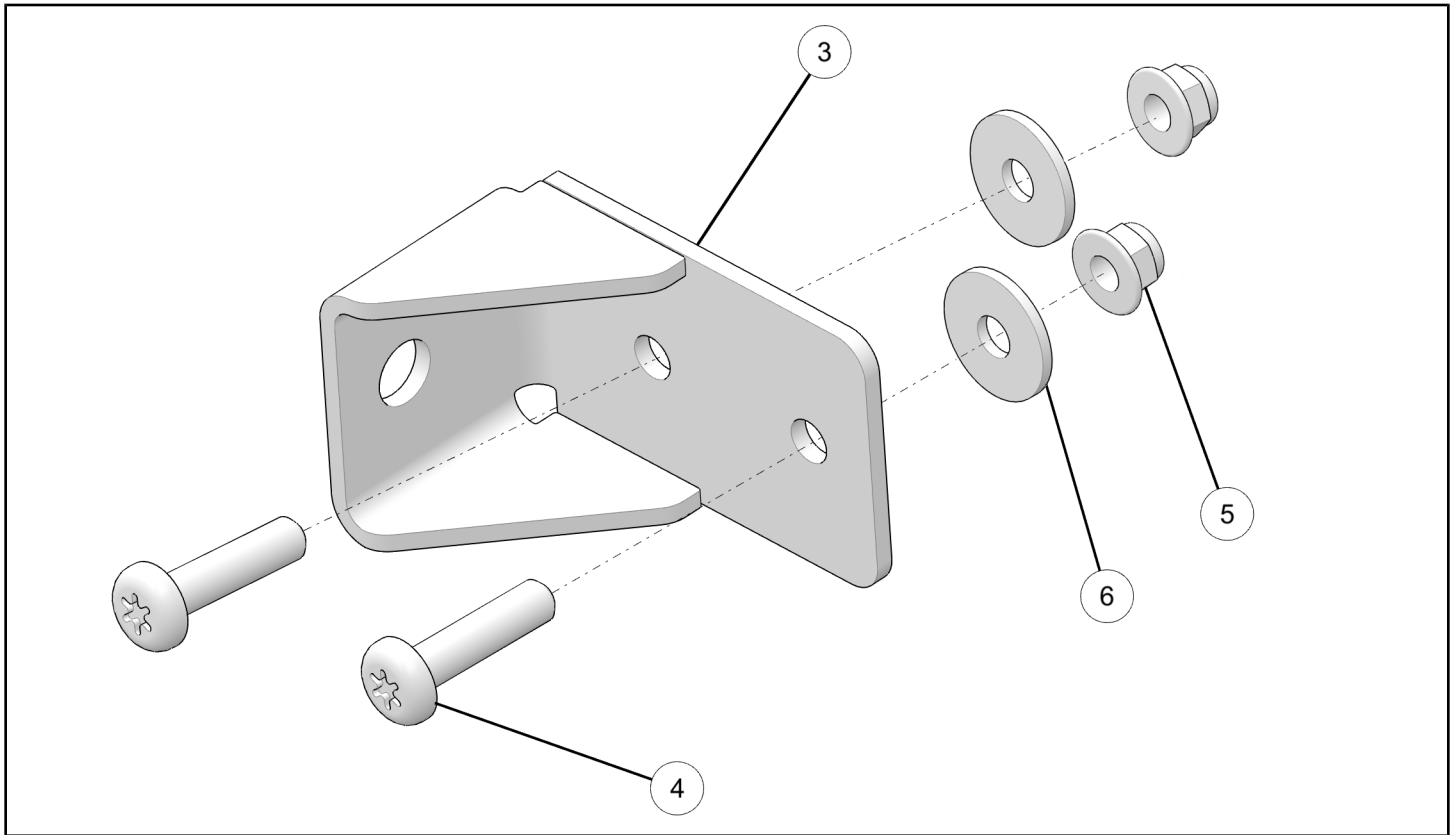
REF	QTY	PART DESCRIPTION	PART NUMBER
1	1	Passenger Mirror	2635824
2 (Not Shown)	1	Loctite - 263, 0.5 ml, Red	8560228
	1	Instructions	9925963

Kit PN 2881011 includes:



REF	QTY	PART DESCRIPTION	PART NUMBER
1	1	Rear View Mirror, Day/Night	2635646
2 (Not Shown)	1	Loctite - 263, 0.5 ml, Red	8560228
	1	Instructions	9925963

Kit PN 2881012 includes:



REF	QTY	PART DESCRIPTION	PART NUMBER
3	1	Side Mirror Bracket	5260675-458
4	2	Bolt - M6 X 1.0 X 25	7518535
5	2	Nut - Hex Flange - M6 X 1.0 8 ZPB NYL	7547453
6	2	Washer - 0.275 X 0.84 X 0.075	7556386
	1	Instructions	9925963

TOOLS REQUIRED

- Metric Wrench Set
- Metric Socket Set
- Safety Glasses
- Phillips Screwdriver
- T27 Torx®
- Drill Bit Set

IMPORTANT

Your MIRROR KIT is exclusively designed for your vehicle. Please read the installation instructions thoroughly before beginning. Installation is easier if the vehicle is clean and free of debris. For your safety, and to ensure a satisfactory installation, perform all installation steps correctly in the sequence shown.

ASSEMBLY TIME

Approximately 10 minutes

INSTALLATION INSTRUCTIONS

1. Park vehicle. Turn key to "OFF" position and remove from vehicle.

SIDE (DRIVER) MIRROR INSTALLATION (PN 2881001)

1. Assemble mirror (D) to mount adapter (B) using red Loctite. Torque to specification.

TORQUE

20 in. lbs. (2.26 Nm)

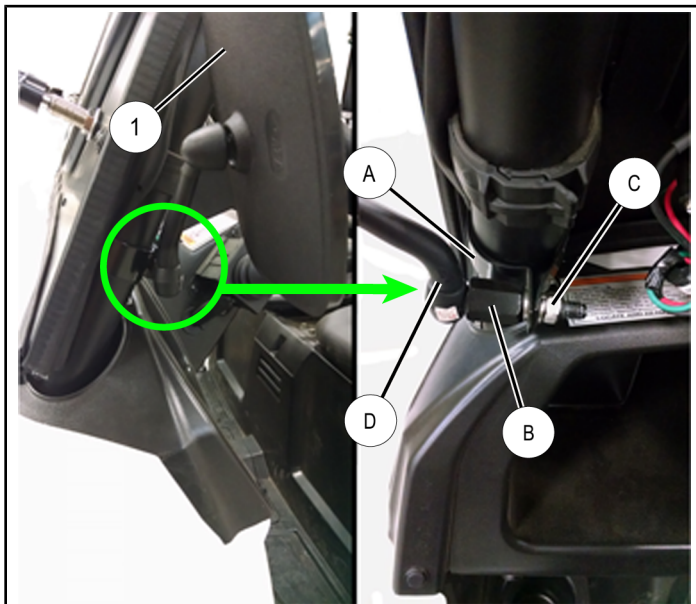
2. Fix the clamp (A) to the front (driver) side ROPS bar by using mount adapter (B) and nut (C). Ensure the mirror is approximately aligned with respect to the driver's seat position prior to tightening nut. Torque nut to specification.

TORQUE

2 ft. lbs. (2.7 Nm)

NOTE

All coarse up and down adjustment of the mirror should be done with a wrench on the flat surfaces of the adapter body (B). Do not attempt to adjust the mirror by rotating it (D) in the mount adapter (B). Confirm the side mirror is aligned and adjusted with respect to the driver's seat position.



PASSENGER MIRROR INSTALLATION (PN 2881002)

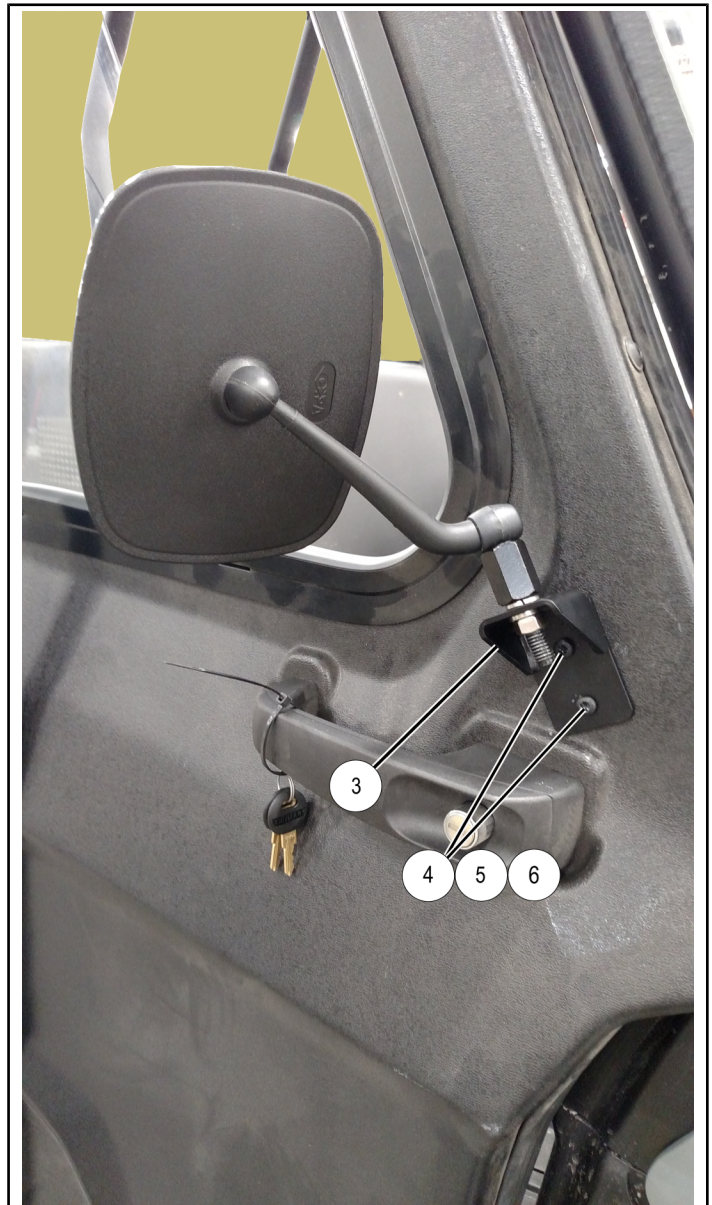
1. Follow same steps as drivers side kit above (oriented with passenger side components) for passenger side mirror installation.

SIDE MIRROR INSTALLATION IF DOORS AND GLASS WINDSHIELD ARE INSTALLED (PN 2881012)

1. Install side mirror bracket (3) to side door using supplied bolts (4), nuts (5) and washers (6) as shown. Torque to specification.

TORQUE

30 in. lbs. (3.4 Nm)



2. Assemble mirror to bracket using mount adapter.

NOTE

For installation to side door, the mirror labeled LH will be used on the passenger side, and the mirror labeled RH will be used on the drivers side.

Ensure the mirror is approximately aligned with respect to the driver's seat position prior to tightening nut. Torque nut to specification.

TORQUE

2 ft. lbs. (2.71 Nm)

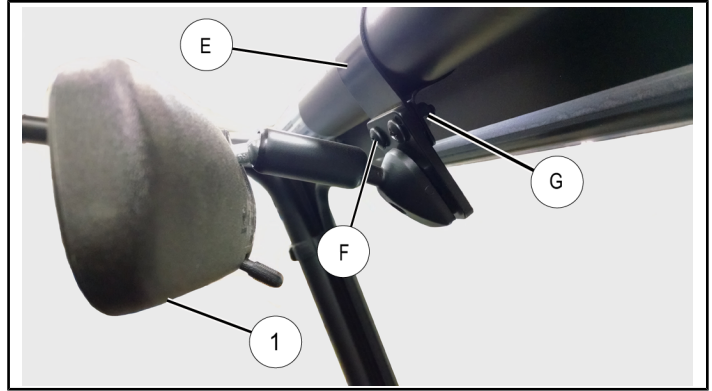
3. Confirm the side mirror is aligned and adjusted with respect to the driver's seat position.

REAR VIEW MIRROR INSTALLATION (PN 2881011)

1. Mount the clamp (E) on the center of the upper trim with two screws (F) and relevant nuts (G). Torque screws to specification.

TORQUE

2 ft. lbs. (2.7 Nm)



2. Mount the mirror ① on the clamp by tightening screw as shown.
3. Adjust the mirror view with respect to the driver's seat position.