





## Service Instructions

### Acrylic Rear Window Installation Instructions

Models: ALL 2007 – Previous

Parts List: Page 7-8

Tool List: Page 6

1. Remove all contents from package.	
2. Begin rear window installation.  	<ul style="list-style-type: none"><li>▪ Lay out acrylic rear window on clean surface so as not to harm or scratch it.</li><li>▪ Adhere ¼” x 1” foam rubber to the window provided in kit.</li><li>▪ See pictures to left and below.</li><li>▪ Cut the foam to the appropriate lengths per side per window per vehicle install (coupe &amp; sedan windows are different heights).</li><li>▪ Remove vinyl/paper backing (shown in picture on next page).</li></ul> <p>(continued on next page)</p>



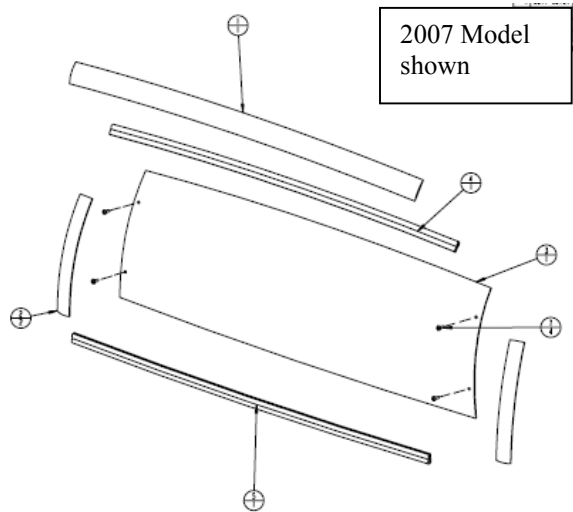
3. Place rear window assembly in rear window opening on the roof rails of the vehicle.



- First, remove black vinyl weather strip molding along top of back roof panel (shown without weather stripping, top picture). Discard. This piece will NOT get reused.
- Place partially assembled window with rubber seal(s), (top & bottom for 2007 models), in to window opening on rear of vehicle.
- Mark rubber seal where it is to be cut along roof rail edges, (top & bottom for 2007 models) so the rubber seal fits between the roof rails. Cut seal.
- Repeat for both left and right sides, (top & bottom for 2007 models).
- See pictures to left.

**NOTE: The rubber seal should fit between the inner edges of the roof rails.**

4. Cut black window trim.



- Flip window over to outside view.
- Measure trim to be cut to height of window. These are 2 pieces for the outside edges. The trim length is determined by the height between the top of the body back panel and the bottom edge of the grey colored back roof panel bracket. Trim should be slightly longer than the actual window height.
- Cut two (2) pieces approximately 15" (depending on model vehicle and rear window heights) for the sides. Trim as necessary. Heights vary per model, Coupe & Sedan.
- Place side moldings in place on outside surface of window. Remove red film on back side to adhere to window.

5. Locate mounting holes.



- Using the predrilled holes in the window (feel for them through the gray foam), drill through the gray foam rubber & black window trim (X 4 holes).
- Set the preassembled window in the rear window opening again. Mark the mount location of the window on the roof rails with a center punch through the black window trim and window.

**HINT: A drill & drill bit may also be used to mark the hole locations. Insert drill bit through predrilled holes to roof rail and drill slightly to leave a desired mark.**

- Using a 5/32" drill bit drill four (4) mounting holes.
- See picture to left.

6. Install rear window.



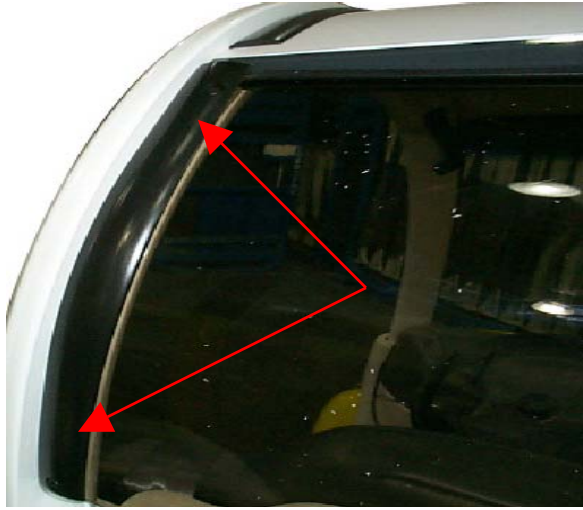
- Insert top rubber seal first and tuck it under rear roof panel.
- **FOR 2007 MODELS, TOP SEAL FIRST THEN BOTTOM SEAL TO TOP OF BODY BACK PANEL.**
- See pictures to left & below.

**NOTE: Window seal tucks under grey colored rear roof panel support bracket.**

- 2007 Models – bottom rubber seal should fit tight to top of back panel.



7. Attach rear window.



- Using a Phillips screwdriver, secure the window with hardware provided (x 4 screws) through black window trim.
- See picture to left.

**CAUTION: Do NOT over tighten screw as it may crack the acrylic rear window!**

8. Prepare black weather strip molding.

- Cut the top piece approximately 38" for the top along roof panel. Trim as necessary. Widths vary per model, Coupe & Sedan. Measure width for verification.

9. Attach black weather strip molding.



- Remove red vinyl backing from molding and adhere to the roof panel as shown.
- Clean roof panel and cross member with isopropyl alcohol before adhering. Surface must be free of all debris for proper adhesion.
- See picture to left.

10. Installation complete.



\* 2006 – Previous Model shown



\* 2007 – Current Model shown

▪ See pictures to left.

### **Tool List:**

- Drill
- Phillips screwdriver
- Scissors
- 5/32" drill bit
- Isopropyl alcohol
- Utility knife

## **Parts List:**

### **2006 – Previous Models (Coupe & Sedan - 4P)**

#### **ASSY, REAR WINDOW – 2 PASSENGER**

<u>0305-01026</u>	WINDOW, REAR 2 PASS	1	EA
<u>0317-01081</u>	STRIP, VINYL - FOAM - 13.5"	2	EA
<u>0317-00935</u>	MOLDING, REAR WINDOW, TOP - 38"	1	EA
<u>0317-00936</u>	MOLDING, REAR WINDOW, SIDE - 15"	2	EA
<u>1010-00091</u>	INSTRUCTIONS, ACRYLIC REAR WINDOW I...	1	EA
<u>0523-00308</u>	SCREW, REAR WINDOW MOUNTING	4	EA
<u>0317-02207</u>	SEAL, WINDOW - REAR HARD 34.25"	1	EA

#### **ASSY, REAR WINDOW – 4 PASSENGER**

<u>0317-01081</u>	STRIP, VINYL - FOAM - 13.5"	2	EA
<u>0317-00935</u>	MOLDING, REAR WINDOW, TOP - 38"	1	EA
<u>0317-00936</u>	MOLDING, REAR WINDOW, SIDE - 15"	2	EA
<u>1010-00091</u>	INSTRUCTIONS, ACRYLIC REAR WINDOW I...	1	EA
<u>0523-00308</u>	SCREW, REAR WINDOW MOUNTING	4	EA
<u>0305-01025</u>	WINDOW, REAR 4 PASS	1	EA
<u>0317-02207</u>	SEAL, WINDOW - REAR HARD 34.25"	1	EA

\* (continued on next page)

## 2007 – Current Models (Coupe & Sedan - ALL)

### ASSY, REAR WINDOW – 6 PASSENGER

<u>0304-02199</u>	TRIM, REAR WINDOW - UPPER	1	EA
<u>0304-02200</u>	TRIM, REAR WINDOW - SIDE	2	EA
<u>0305-02196</u>	WINDOW, REAR - e6	1	EA
<u>0317-02197</u>	SEAL, REAR WINDOW - e6	1	EA
<u>0317-02198</u>	SEAL, REAR WINDOW - e6	1	EA
<u>0523-00308</u>	SCREW, REAR WINDOW MOUNTING	4	EA
<u>0417-00066</u>	FOAM,VINYL -PVC VF-5100 SERIES .187X.750	2	FT

### ASSY, REAR WINDOW – 2 PASSENGER

<u>0305-02299</u>	WINDOW, REAR - e2, eS, eL	1	EA
<u>0304-02199</u>	TRIM, REAR WINDOW - UPPER	1	EA
<u>0304-02306</u>	TRIM, REAR WINDOW - SIDE	2	EA
<u>0317-02197</u>	SEAL, REAR WINDOW - e6	1	EA
<u>0317-02305</u>	SEAL, REAR WINDOW - e2, eS, eL	1	EA
<u>0523-00308</u>	SCREW, REAR WINDOW MOUNTING	4	EA
<u>0417-00066</u>	FOAM,VINYL -PVC VF-5100 SERIES .187X.750	3	FT

### ASSY, REAR WINDOW – 4 PASSENGER

<u>0305-02300</u>	WINDOW, REAR - e4	1	EA
<u>0304-02199</u>	TRIM, REAR WINDOW - UPPER	1	EA
<u>0304-02308</u>	TRIM, REAR WINDOW - SIDE	2	EA
<u>0317-02197</u>	SEAL, REAR WINDOW - e6	1	EA
<u>0317-02305</u>	SEAL, REAR WINDOW - e2, eS, eL	1	EA
<u>0523-00308</u>	SCREW, REAR WINDOW MOUNTING	4	EA
<u>0417-00066</u>	FOAM,VINYL -PVC VF-5100 SERIES .187X.750	3	FT