

OVERHEAD AUDIO KIT



P/N 2881115

APPLICATION

Verify accessory fitment at Polaris.com.

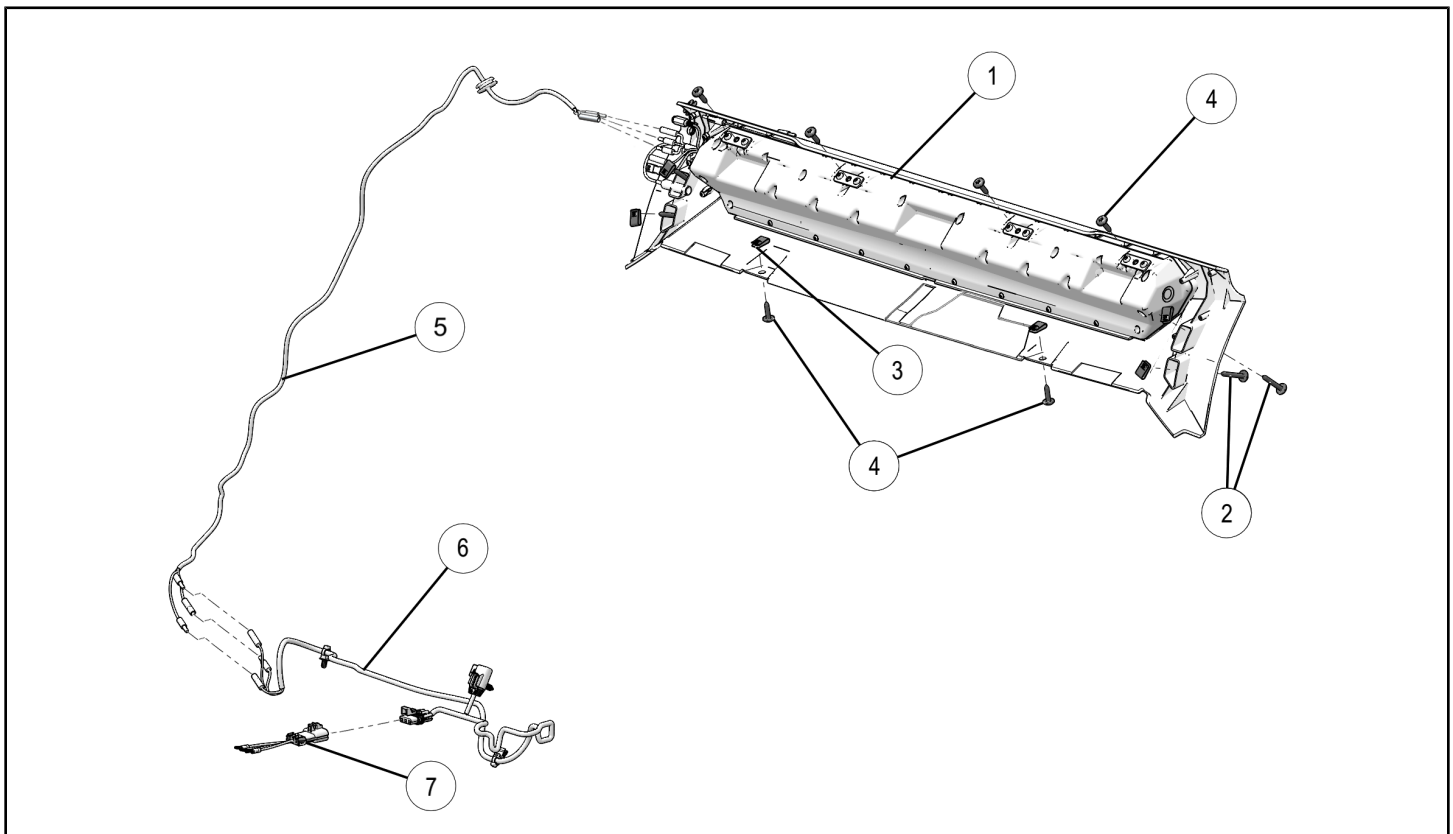
BEFORE YOU BEGIN

Read these instructions and check to be sure all parts and tools are accounted for. Please retain these installation instructions for future reference and parts ordering information.

KIT CONTENTS

This kit contains all parts required for physical and electrical installation. To accommodate additional lighting and/or audio accessories the customer may install Deluxe Harness Kit (PN 2881678, sold separately) instead of included harnesses.

This Kit includes:



REF	QTY	PART DESCRIPTION	PART NUMBER
1	1	Overhead Audio	2636129
2*	4	Screw, Torx® - M6 X 45	-
3*	6	Nut Clip, M6	-
4*	6	Screw, Torx® - M6 X 1.0 X 25	-
5	1	ROPS Harness	2413347
6	1	Dash Harness	2413348

REF	QTY	PART DESCRIPTION	PART NUMBER
7	1	Adapter Harness	2413447
	1	Instructions	9926531

Items marked (*) are included in Hardware Kit PN 2206110.

TOOLS REQUIRED

- Safety Glasses
- Drill
- Drill Bit, 1/4 inch
- Pliers, Push Pin
- Screwdriver Set, Torx®

IMPORTANT

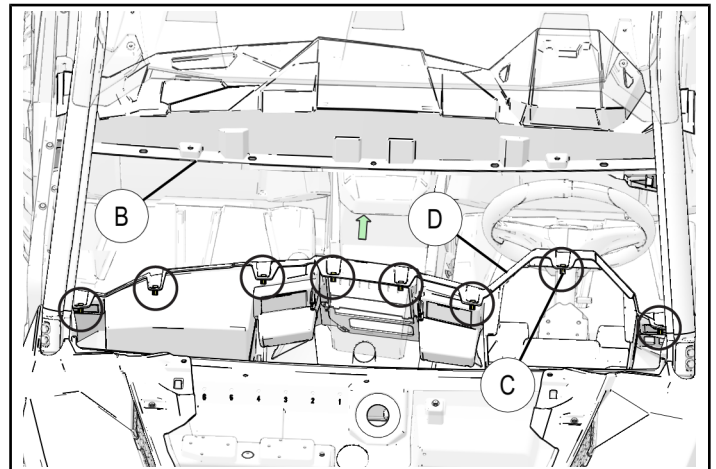
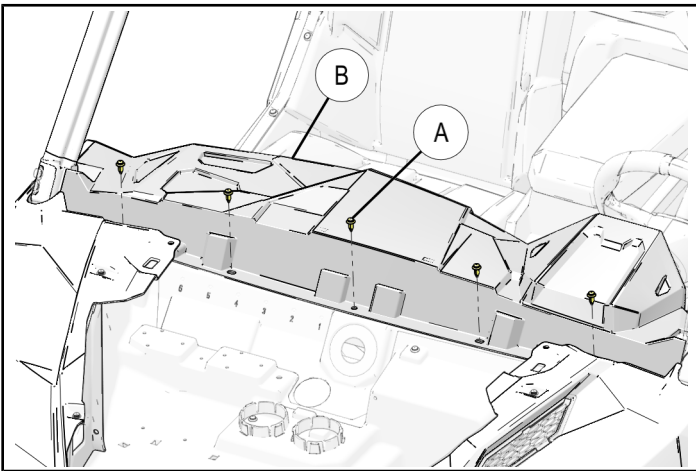
Your Overhead Audio Kit is exclusively designed for your vehicle. Please read the installation instructions thoroughly before beginning. Installation is easier if the vehicle is clean and free of debris. For your safety, and to ensure a satisfactory installation, perform all installation steps correctly in the sequence shown.

ASSEMBLY TIME

Approximately 55–70 minutes

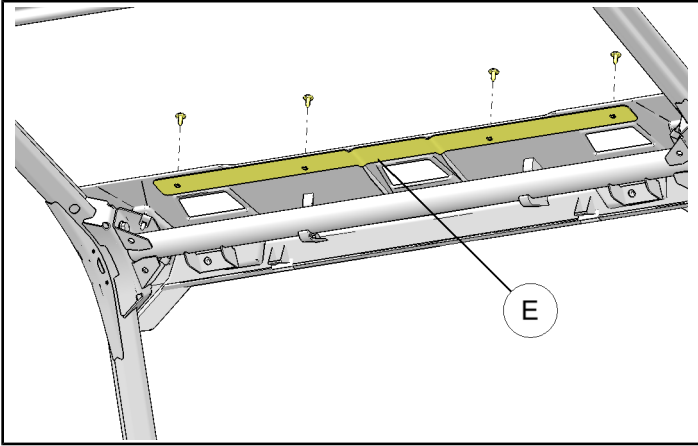
INSTALLATION INSTRUCTIONS

1. Place vehicle in "PARK". Turn key to "OFF" position and remove from vehicle.
2. Gain access.
 - a. Remove hood.
 - b. Remove or open windshield (as applicable).
 - c. Remove upper dash panel.
 - i. Remove five plastic push pins (A) from forward side of upper dash panel (B) as shown.
 - ii. Slide upper dash panel (B) to rear, disengaging eight spring clips (C) retaining upper dash panel to main dash panel (D) as shown.

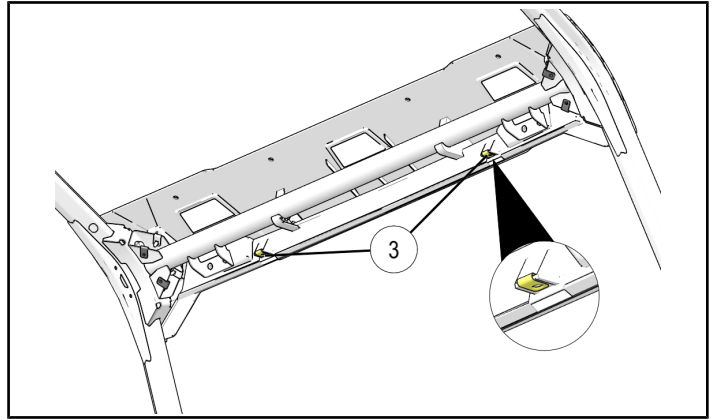


- d. Remove roof (if installed).

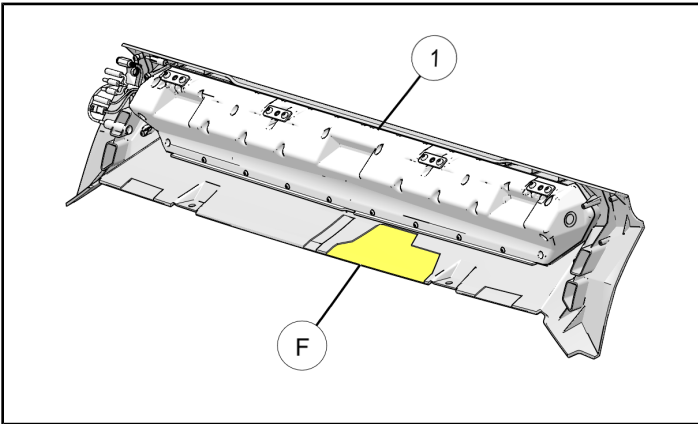
- e. Remove support bracket (E) from lower surface of visor panel (if installed) as shown. Bracket not used with overhead audio.



5. Install two nut clips ③ on lower edge of visor panel as shown. Ensure proper orientation.



3. If installing other accessory kits (sold separately):
- OPTIONAL: Install external antenna.
 - OPTIONAL: If Single Rear View Mirror Kit (PN 2880531 or 2881540) will also be installed, then trim overhead audio ① enclosure at labeled location. See label affixed to interior of audio enclosure for detail.
 - OPTIONAL: If Windshield Wiper Kit (PN 2881090) will also be installed, then trim overhead audio ① enclosure at (F) as shown.



6. Install ROPS harness ⑤.

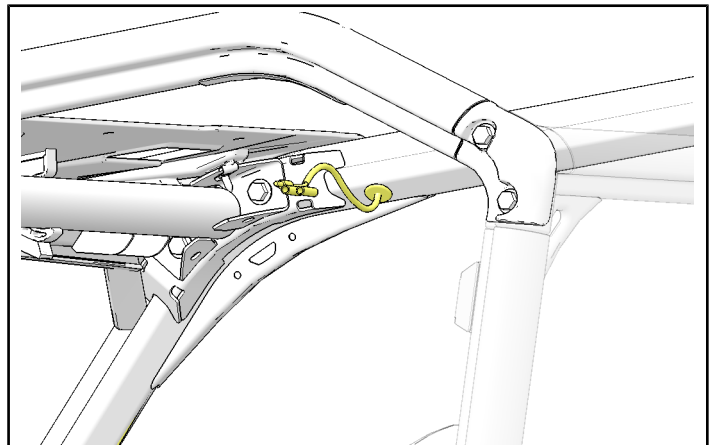
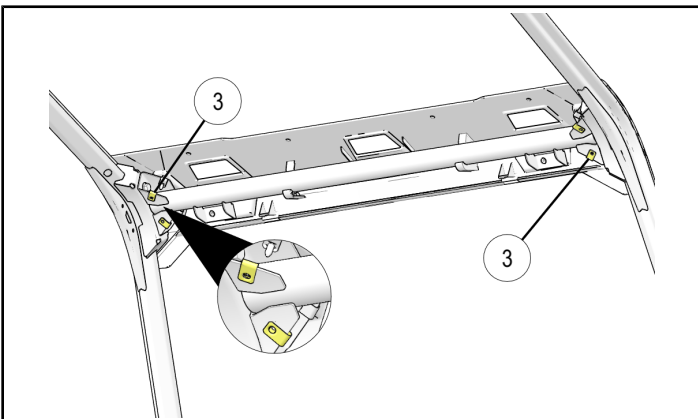
- Route end of harness with three bullet connectors into oval hole at top of passenger side A-pillar, down ROPS, out of welded coupler at base of pillar, and into upper dash compartment (on rear side of firewall) as shown.

NOTE

Leave approximately 6 inches of harness exposed at top of passenger side A-pillar to enable connection to overhead audio ①.



4. Install four nut clips ③ on ROPS front support brackets as shown. Ensure proper orientation.



- b. Connect three bullet connectors at top of passenger side A-pillar to overhead audio ①, matching wire colors (red to red, orange/white stripe to orange, and brown to brown).
- c. OPTIONAL: Connect external antenna (sold separately) to overhead audio ①.

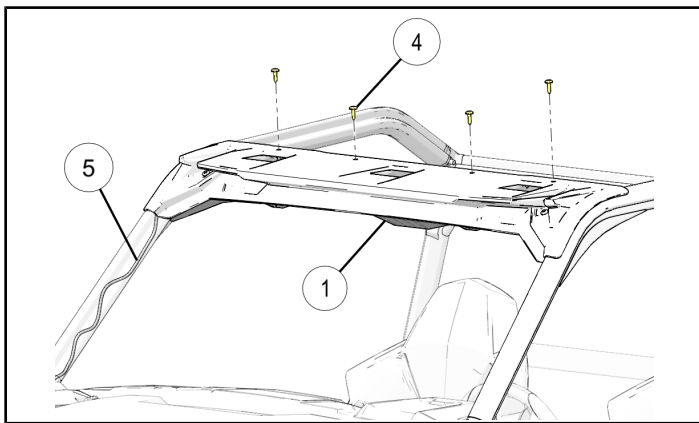
NOTE

See overhead audio operating instructions for antenna connector identification.

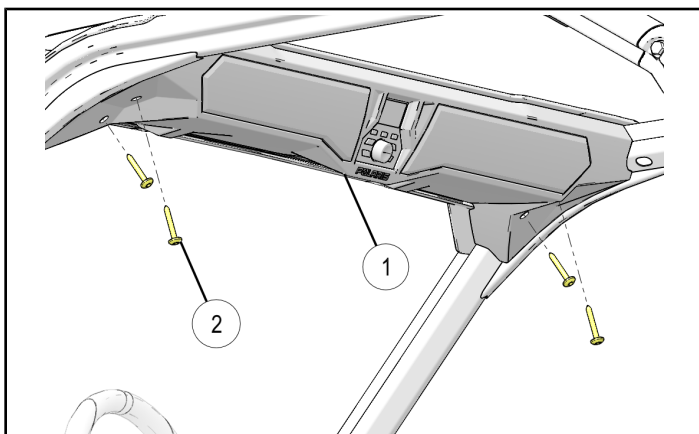
- 7. Feed excess length of ROPS harness ⑤ down ROPS while lifting overhead audio ① into position. Loosely install four screws ④ down through visor panel into overhead audio ① as shown.

TIP

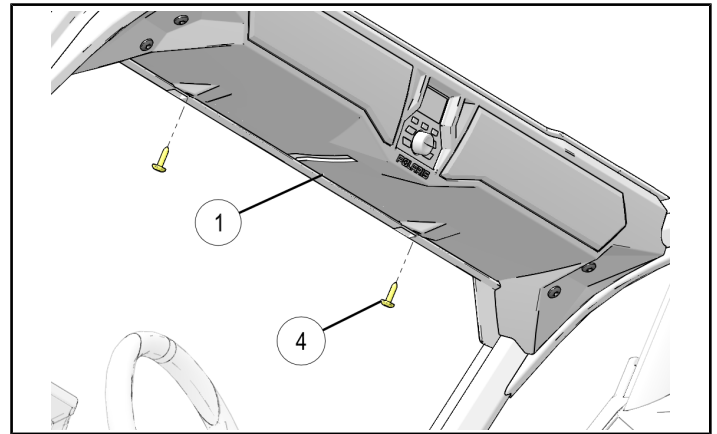
Start with two center screws to facilitate installation.



- 8. Loosely install four screws ② through LH and RH sides of overhead audio ① into previously installed nut clips ③ as shown.

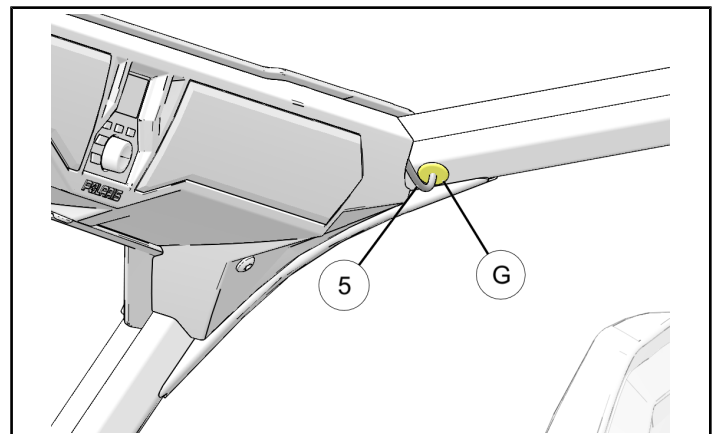


- 9. Loosely install two screws ④ through lower surface of overhead audio ① into previously installed nut clips ③ as shown.



- 10. Tighten all screws ② and ④.

- 11. Install rubber grommet (G) on ROPS harness ⑤ in hole at top of passenger side A-pillar as shown.

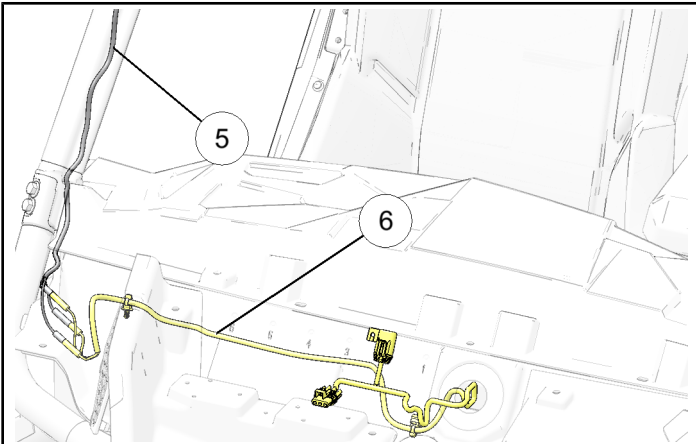


12. Install dash harness ⑥.

- a. From within under-hood compartment (on forward side of firewall), push all bullet connectors rearward through firewall grommet into upper dash compartment as shown.

NOTE

Only fuseholder and terminal block connector will remain on forward side of firewall.



- b. Connect three dash harness ⑥ bullet connectors to corresponding ROPS harness ⑤ bullet connectors.

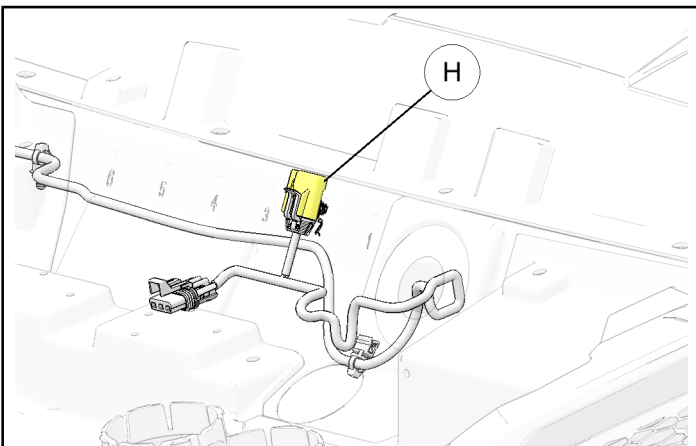
NOTE

Bullet connector lengths on each harness are staggered to assist in identifying proper connections.

- c. On forward side of firewall, drill out one firewall accessory plug (1/4 inch), then install fuseholder (H) as shown.

IMPORTANT

Control drill depth to prevent damage to underlying structure or components.



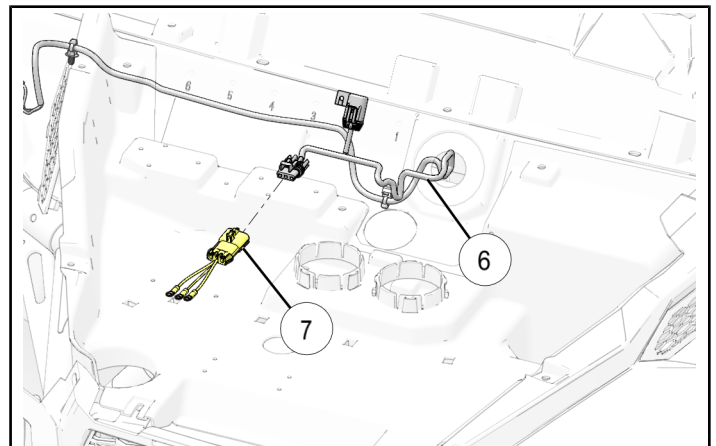
13. Connect dash harness ⑥ to terminal block.

FOR VEHICLES WITH SIX POSITION ACCESSORY TERMINAL BLOCK:

Connect dash harness directly to terminal block at any open location.

FOR VEHICLES WITH THREE POST TERMINAL BLOCK:

- a. Remove driver's seat and battery access cover.
- b. Disconnect black negative (-) lead from battery.
- c. Connect adapter harness ⑦ ring terminals to terminal posts as follows:
 - i. Red harness wire to terminal post with existing red wire (unswitched 12V POS)
 - ii. Orange/white stripe harness wire to terminal post with existing orange wire (accessory switched 12V POS)
 - iii. Brown harness wire to terminal post with existing black wire (12V NEG)
- d. Connect adapter harness ⑦ to dash harness ⑥ as shown.



- e. Reconnect black negative (-) lead to battery.
- f. Reinstall battery access cover and driver's seat.

14. Secure dash harness ⑥ using attached push and edge clips. Secure harnesses as required to prevent chafing against sharp edges or moving parts.

15. Restore access.