

# BLUETOOTH REMOTE KIT



**P/N 2881470**

## APPLICATION

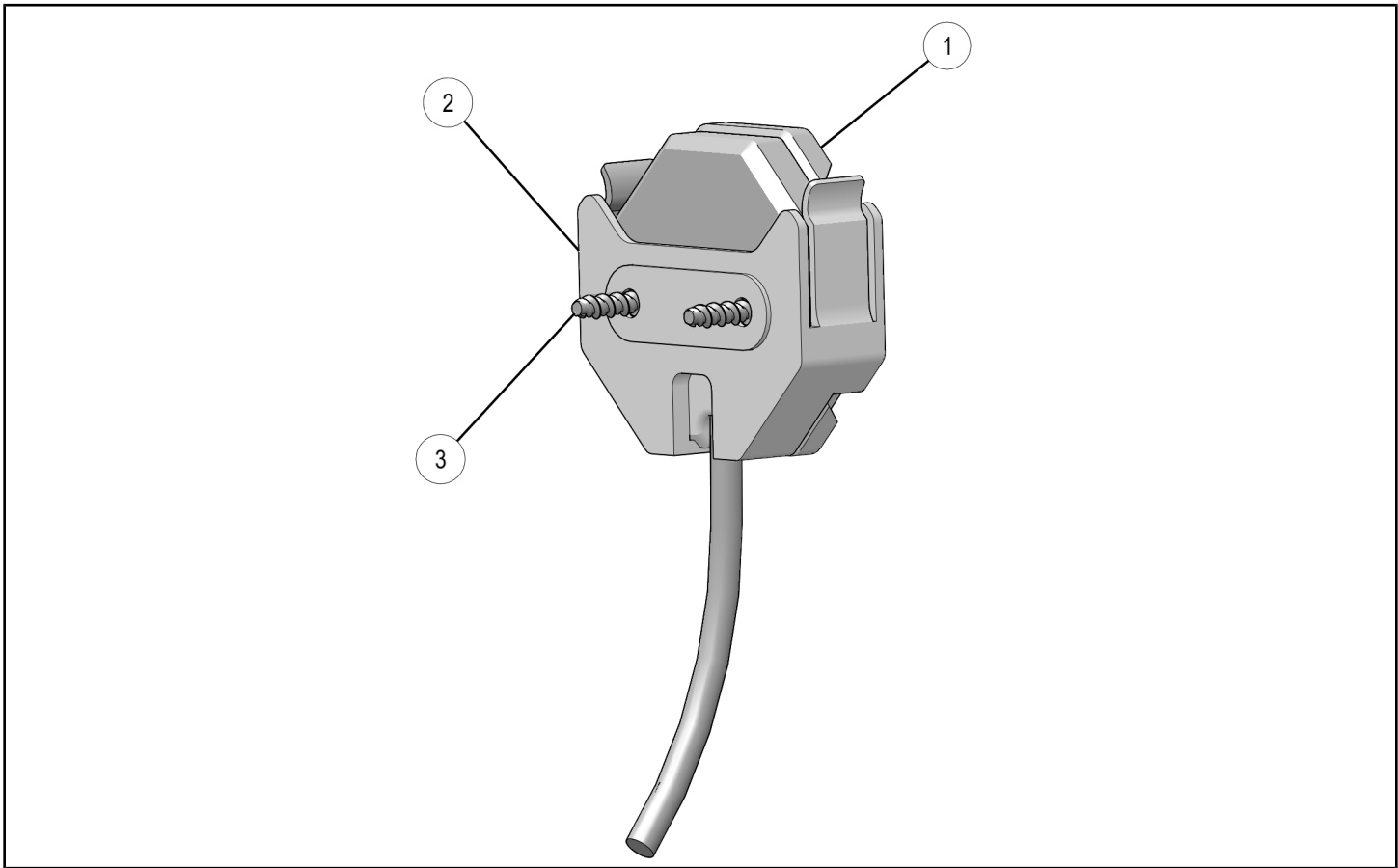
All RZR Models

## BEFORE YOU BEGIN

Read these instructions and check to be sure all parts and tools are accounted for. Please retain these installation instructions for future reference and parts ordering information.

## KIT CONTENTS

This Kit includes:



REF	QTY	PART DESCRIPTION	PART NUMBER
1	1	Bluetooth Remote	-
2	1	Mounting Sleeve	-
3	2	Screws	-
	1	Instructions	9926365

## TOOLS REQUIRED

- Safety Glasses
- Phillips Screwdriver
- Drill
- Drill Bit Set

## IMPORTANT

Your BLUETOOTH REMOTE KIT is exclusively designed for your vehicle. Please read the installation instructions thoroughly before beginning. Installation is easier if the vehicle is clean and free of debris. For your safety, and to ensure a satisfactory installation, perform all installation steps correctly in the sequence shown.

## ASSEMBLY TIME

Approximately 10 minutes

## INSTALLATION INSTRUCTIONS

1. Place vehicle in "PARK". Turn key to "OFF" position and remove from vehicle.
2. Plug remote into audio equipment harness (either PN 2879865 Deluxe Harness Kit or PN 2881617 Ultimate Harness Kit; harness sold separately).
3. With remote ① installed in sleeve ②, identify mounting location. Ensure adequate clearance beneath mounting surface to accommodate screws, and that wire will not interfere with vehicle operation.
4. Remove remote ① from sleeve ②.
5. Using sleeve as template, mark location for two attach holes.
6. Drill attach holes at marked locations.
7. Install sleeve ② to mounting surface using screws ③. Do not overtighten screws.
8. Insert remote into sleeve.

### IMPORTANT

Control drill depth to prevent damage to underlying structure or components.