

# CANVAS UPPER DOOR KIT



**P/N 2882349**

## APPLICATION

Verify accessory fitment at [Polaris.com](http://Polaris.com).

## BEFORE YOU BEGIN

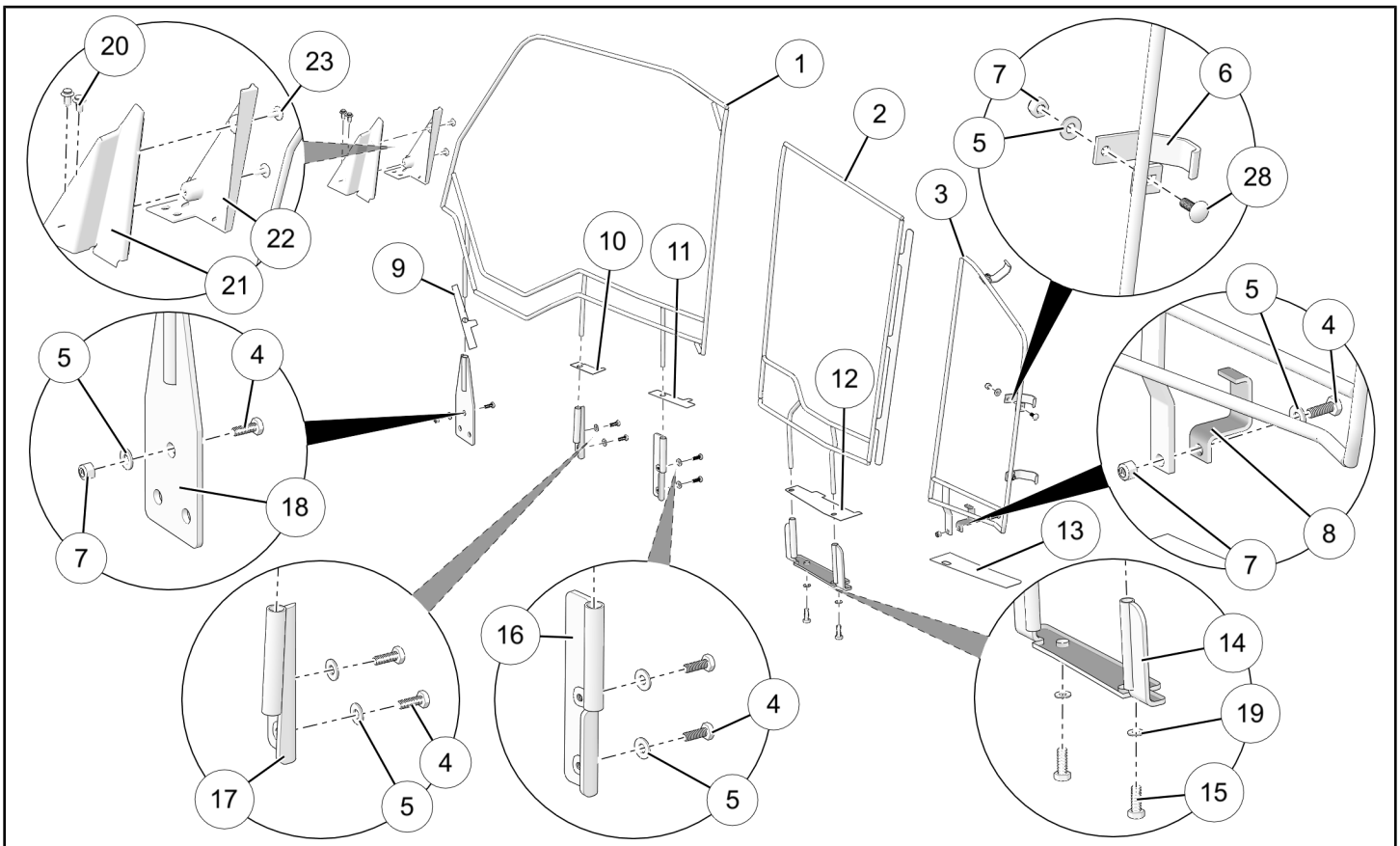
Read these instructions and check to be sure all parts and tools are accounted for. Please retain these installation instructions for future reference and parts ordering information.

## KIT CONTENTS

This Kit includes:

### NOTE

LH side shown; RH side opposite. Canvas not shown for clarity.



REF	QTY	PART DESCRIPTION	PART NUMBER	INCLUDED IN SERVICE KIT
1	1	Door, Front, LH	-	*
	1	Door, Front, RH (not shown)	-	*
2	1	Door, Rear, LH	-	**
	1	Door, Rear, RH (not shown)	-	**
3	1	Panel, Bolster, LH	-	-
	1	Panel, Bolster, RH (not shown)	-	-
4	12	Screw, Hex Head - 1/4-20 X 3/4	-	-

REF	QTY	PART DESCRIPTION	PART NUMBER	INCLUDED IN SERVICE KIT
5	18	Washer, Flat - 1/4	-	-
6	6	Bracket, Bolster Panel, Upper/Rear	-	-
7	10	Nut, Lock - 1/4-20	-	-
8	2	Bracket, Bolster Panel, Lower	-	-
9	-	Template, Front Door, Forward	-	-
10	-	Template, Front Door, Mid	-	-
11	-	Template, Front Door, Rear	-	-
12	-	Template, Rear Door	-	-
13	-	Template, Bolster	-	-
14	1 1	Bracket, Rear Door, LH Bracket, Rear Door, RH (not shown)	- -	- -
15	4	Screw, Hex Head - M10 X 1.5 X 25	-	-
16	1 1	Bracket, Front Door, Rear Post, LH Bracket, Front Door, Rear Post, RH (not shown)	- -	- -
17	1 1	Bracket, Front Door, Mid Post, LH Bracket, Front Door, Mid Post, RH (not shown)	- -	- -
18	2	Bracket, Front Door, Front Post	-	-
19	4	Washer, Flat - 3/8	-	-
20	4	Rivet, Push Pin - 0.315-0.325 X 0.787	7661855	2207185
21	1 1	Trim, A-Pillar, LH, Outboard Trim, A-Pillar, RH, Outboard (not shown)	5452419 5452420	2207185 2207185
22	1 1	Trim, A-Pillar, LH, Inboard Trim, A-Pillar, RH, Inboard (not shown)	5452417 5452418	2207185 2207185
23	4	Screw, Torx® Button Head, High/Low - #1/4-15 X 5/8	-	2207185
24	8	Grommet, Round (not shown)	-	2207149
25	2	Grommet, Angle (not shown)	-	2207149
26	2	Grommet, Slot (not shown)	-	2207149
27	2	Strap, Pull (rear door) (not shown)	-	-
28	6	Bolt, Carriage - 1/4-20 X 3/4	-	-
29	4	Tape, Adhesive, Loop - 1.5 X 6 (not shown)	-	-
30	2	Strap, Hold-Down, 27 inch (rear door) (not shown)	-	-
	1	Instructions	9927810	-

\* FRONT LH Skin: PN 2207176, LH Frame: PN 2207180; RH Skin: PN 2207177, RH Frame: PN 2207181

\*\* REAR LH Skin: PN 2207178, LH Frame: PN 2207182; RH Skin: PN 2207179, RH Frame: PN 2207183

## TOOLS REQUIRED

- Safety Glasses
- Drill
- Drill Bit: 5/16 inch (8 mm), 1/2 inch (13 mm)
- File, Flat
- Ice pick (or equivalent)
- Screwdriver Set, Torx®
- Socket Set, Metric
- Socket Set, Torx® Bit
- Torque Wrench
- Wrench Set, Metric

## IMPORTANT

Your Canvas Upper Door Kit is exclusively designed for your vehicle. Please read the installation instructions thoroughly before beginning. Installation is easier if the vehicle is clean and free of debris. For your safety, and to ensure a satisfactory installation, perform all installation steps correctly in the sequence shown.

## ASSEMBLY TIME

Approximately 2–3 hours

## INSTALLATION INSTRUCTIONS

Shift vehicle transmission into “PARK”. Turn ignition switch to “OFF” position and remove key.

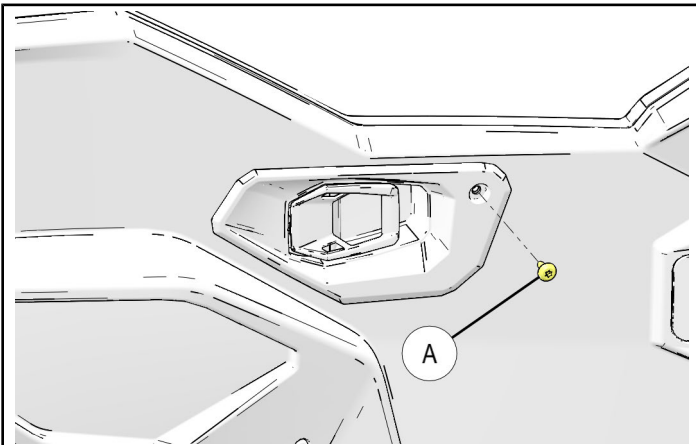
### FRONT DOOR INSTALLATION

#### NOTE

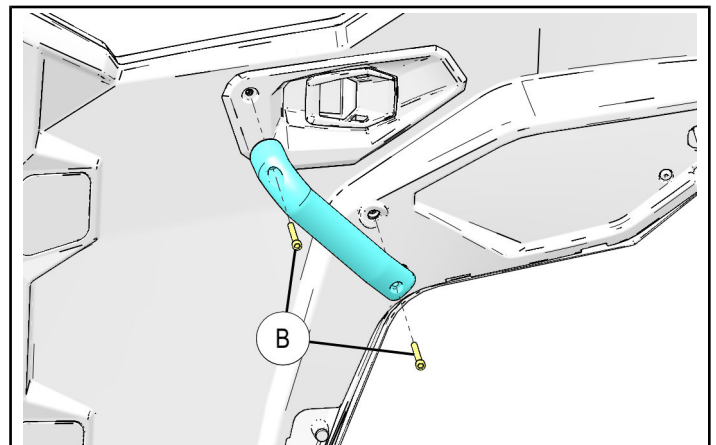
LH side shown; RH side opposite except as noted.

1. Gain access.
  - a. Remove trim.

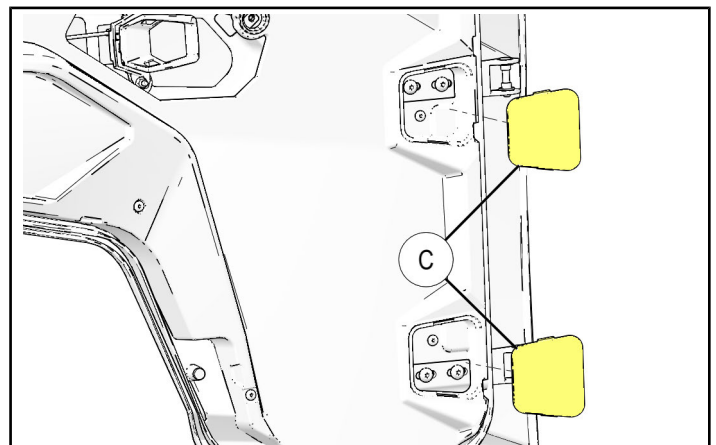
**LH Door:** Remove one screw (A) as shown, then remove trim. Retain screw.



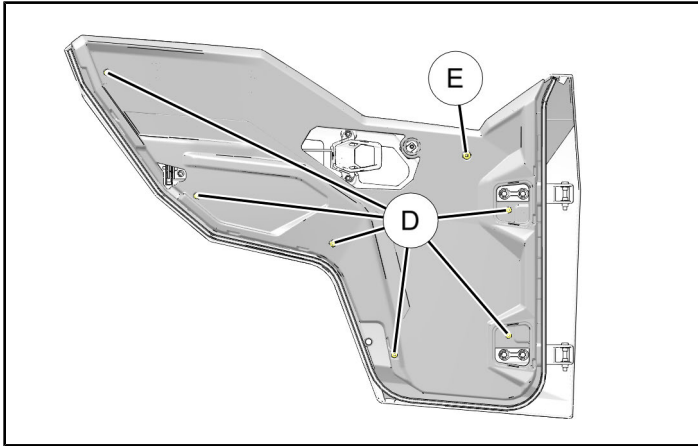
**RH door:** Remove two screws (B) as shown, then remove grab handle and trim. Retain screws.



- b. Remove two hinge access covers (C) by carefully detaching upper and lower locking tabs from inner door panel as shown.



- c. Remove six screws **(D)** and one screw **(E)** securing inner door panel to frame, then remove panel. Retain screws.

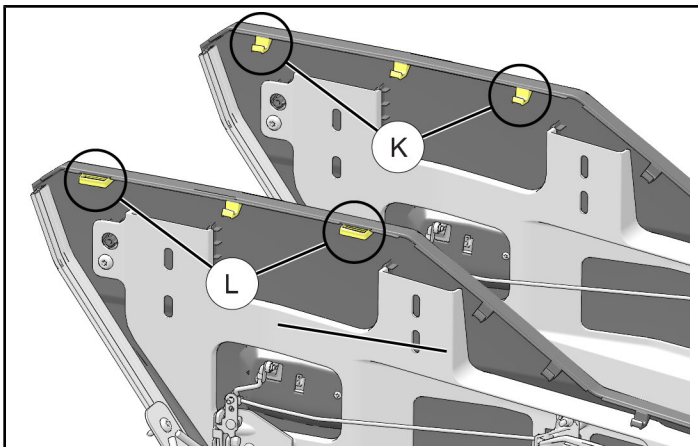


2. Drill holes for upper door posts.

- a. The front door exterior panels on MY17 vehicles were manufactured in one of two configurations:

- Hooks **(K)**
- Slots **(L)**

Examine upper rear surface of exterior door panel to determine your vehicle configuration. Specific configuration will affect templates **(10)** and **(11)**.



- b. Detach template pages located at end of this instruction.
- c. Locate REFERENCE DIMENSION on each template page.

Verify templates were printed to proper scale by using ruler to verify REFERENCE DIMENSION is exactly 4 inches.

**IMPORTANT**

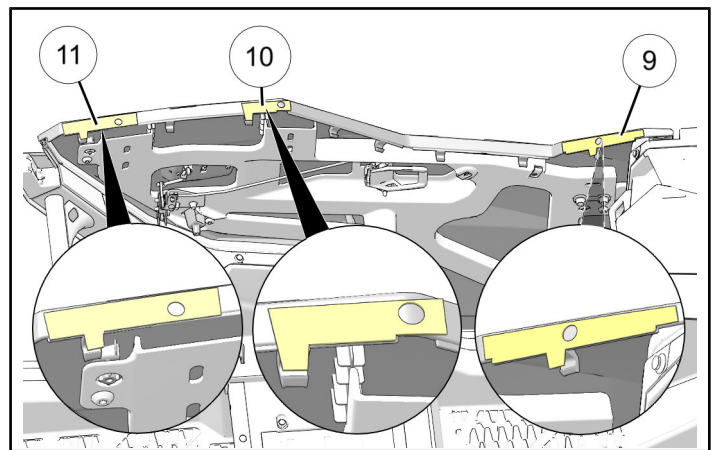
If your measurement is not exactly 4 inches, then reprint template pages from electronic file using print setting **“Actual Size”** (not **“Fit”**) to obtain 1:1 scale. Electronic file available from your **Authorized Polaris Dealer**.

- d. Carefully cut out three LH (or RH) templates **(9)****(10)****(11)**. Templates **(10)** and **(11)** are provided in both configurations, hooks and slots. Choose proper configuration for your vehicle.
- e. Secure templates to top surface of outer door panel, ensuring proper location and orientation. Use ice pick (or equivalent) to mark center of each hole.

Ensure inboard edge of template is aligned with inboard edge of offset lip on door panel as shown.

**NOTE**

Templates **(10)** and **(11)** shown in hook configuration; slot configuration similar. LH side shown; RH side opposite.



- f. Carefully drill 1/2 inch (13 mm) hole at each marked location.

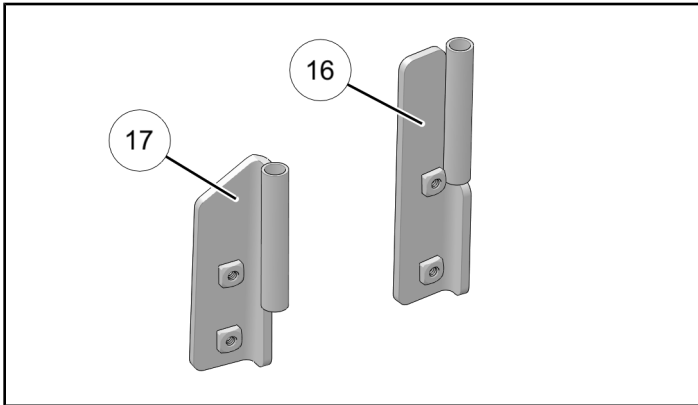
**IMPORTANT**

Control drill depth to prevent damage to underlying structure or components.

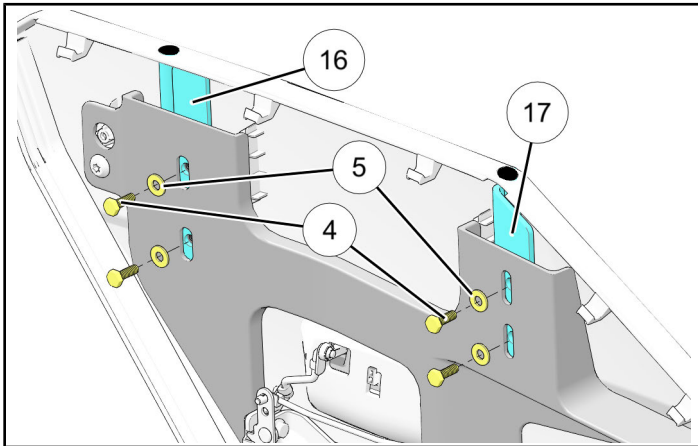
3. Install mid and rear post brackets.
  - a. Identify mid post bracket ⑰ and rear post bracket ⑯.

**NOTE**

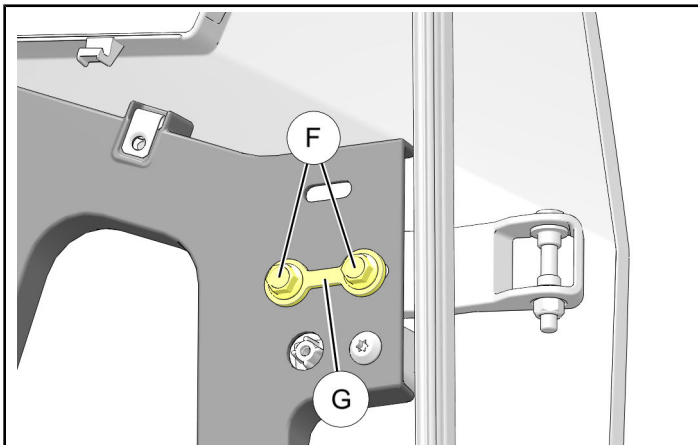
LH brackets shown; RH brackets opposite.



- b. Loosely install mid post bracket ⑰ to outer surface of door frame using two each screws ④ and washers ⑤. Repeat for rear post bracket ⑯.

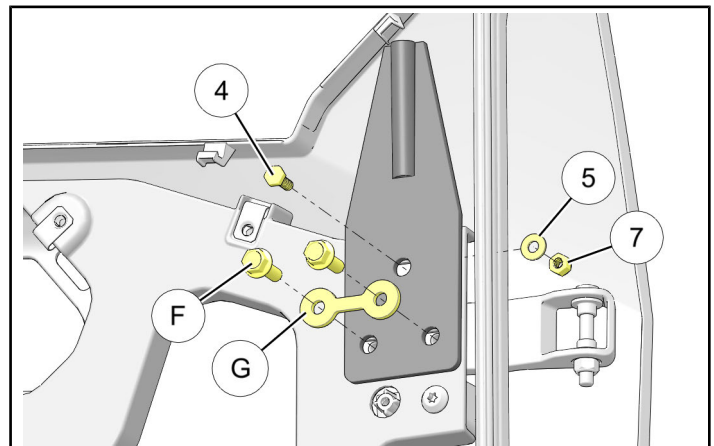
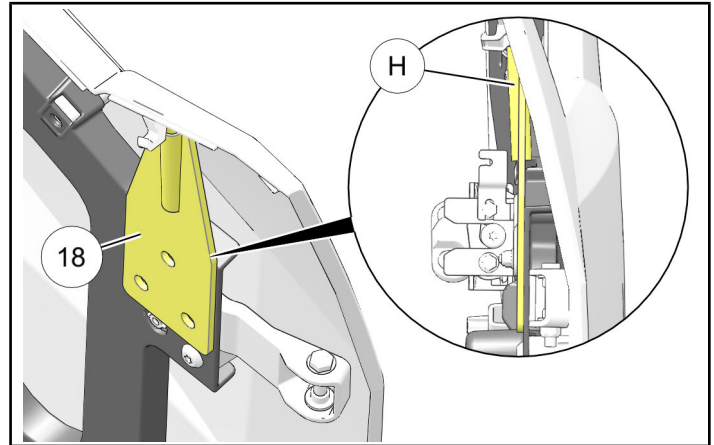


4. Install front post bracket.
  - a. With door closed and latched, remove two upper hinge screws F and double-washer G. Retain screws and washer.



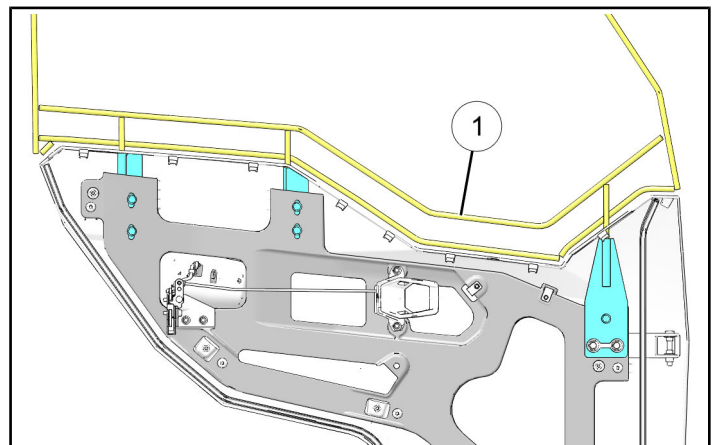
- b. Loosely install front post bracket ⑱ to inner surface of door frame using two retained hinge screws F and double-washer G.

Ensure proper orientation: Top of tube H must be angled INWARD as shown.



- c. OPTIONAL: If desired, additional screw ④, washer ⑤, and nut ⑦ may be installed at upper bracket fastener hole.

5. Install upper door ① posts into post brackets.





6. With door closed, adjust upper and lower doors as required to fit vehicle opening, then tighten all screws ④. Torque two hinge screws ⑤ to specification.

### TORQUE

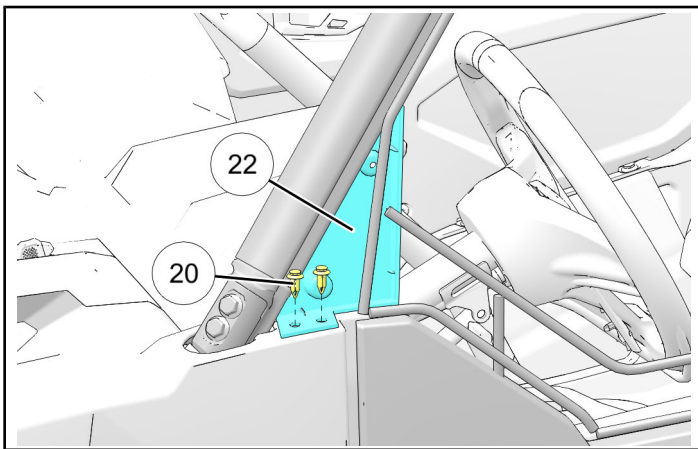
Hinge screws ⑤: 27 ft. lbs. (37 Nm) ± 10%

7. Install A-pillar trim.
  - a. Position inboard A-pillar trim ②② as shown, then using trim as template mark and drill two 5/16 inch (8 mm) holes in front fender.
 

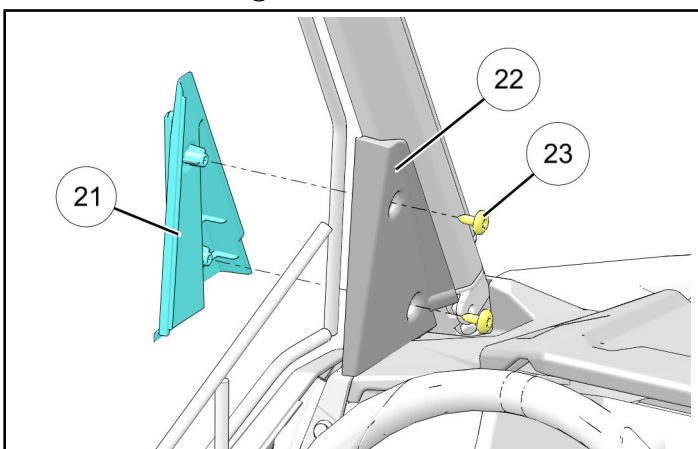
Install trim to fender using two push pin rivets ②①.

### IMPORTANT

Control drill depth to prevent damage to underlying structure or components.

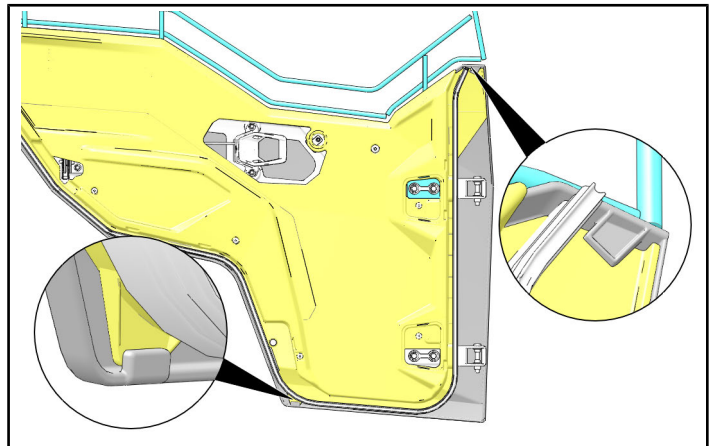


- b. Install outboard trim ②① to inboard trim ②② using two screws ②③.



8. Restore access.

When installing inner door panel ensure upper forward and lower rear corners are positioned BEHIND outer door tabs as shown.



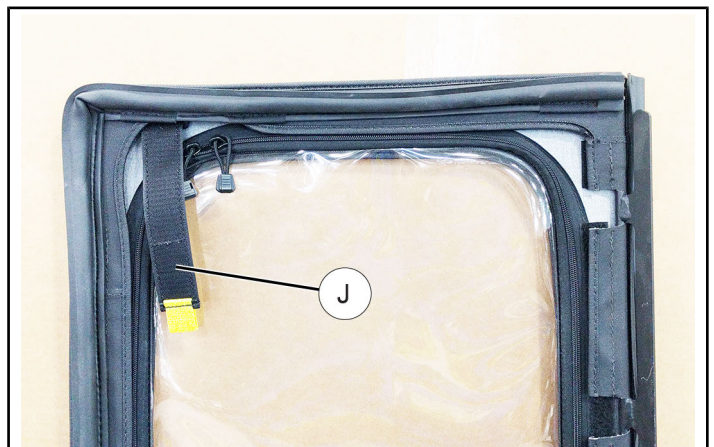
9. Install retention strap.

### NOTE

During vehicle operation retention strap helps prevent airflow through cab from venting out top of door.

Right rear door shown; other doors similar.

- a. With door closed, notice location where retention strap ① can be secured to ROPS, roof panel, or roof liner.



- b. Clean installation surface as required, peel adhesive backing from adhesive tape ②⑨, and press firmly into place.
  - c. Close door, then secure retention strap ① to adhesive tape ②⑨.

10. Carefully trim any excess seal material hanging from door.

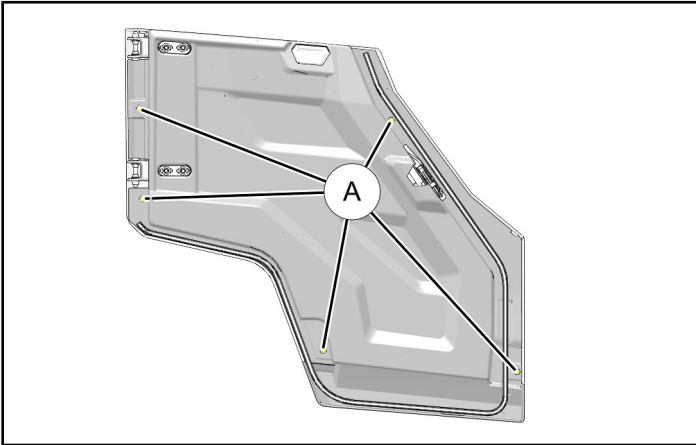
11. Repeat Steps 1–10 for opposite door.

## REAR DOOR INSTALLATION

### NOTE

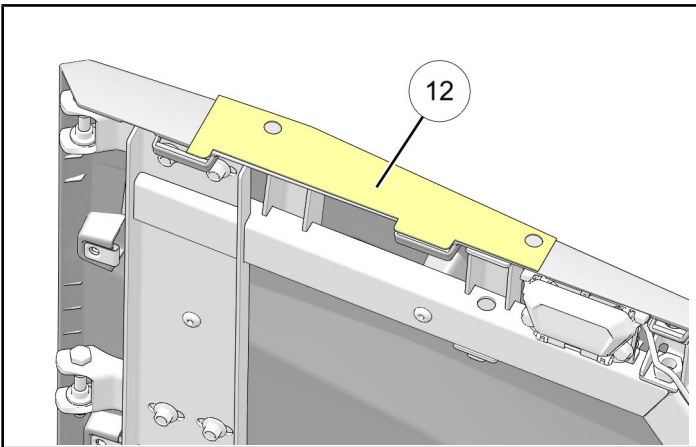
LH side shown; RH side opposite except as noted.

1. Remove five screws (A) securing inner door panel to frame, then remove panel. Retain screws.



2. Drill holes for upper door posts.
  - a. Carefully cut out LH (or RH) template (12). Secure template to top surface of outer door panel, ensuring proper location and orientation. Use ice pick (or equivalent) to mark center of each hole.

Ensure inboard edge of template is aligned with inboard edge of offset lip on door panel as shown.

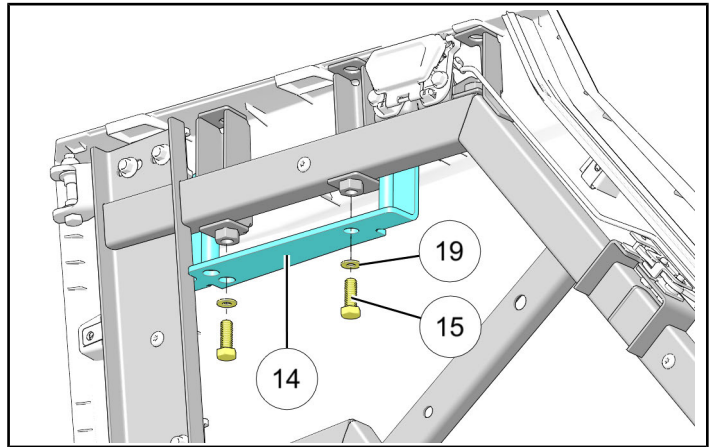


- b. Carefully drill 1/2 inch (13 mm) hole at each marked location.

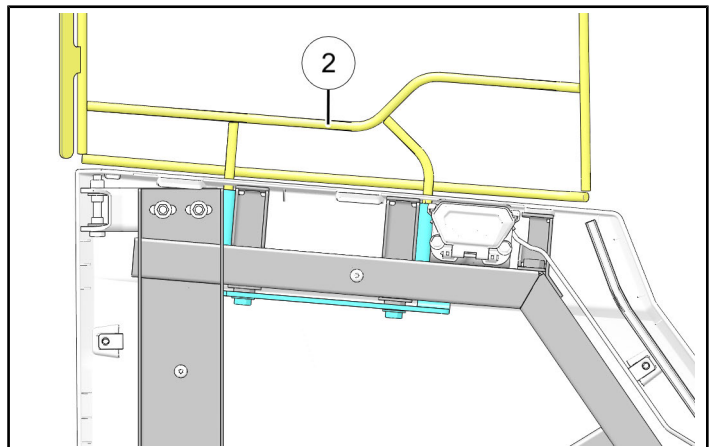
### IMPORTANT

Control drill depth to prevent damage to underlying structure or components.

3. Install post bracket (14) to door frame using two each screws (15) and washers (19).

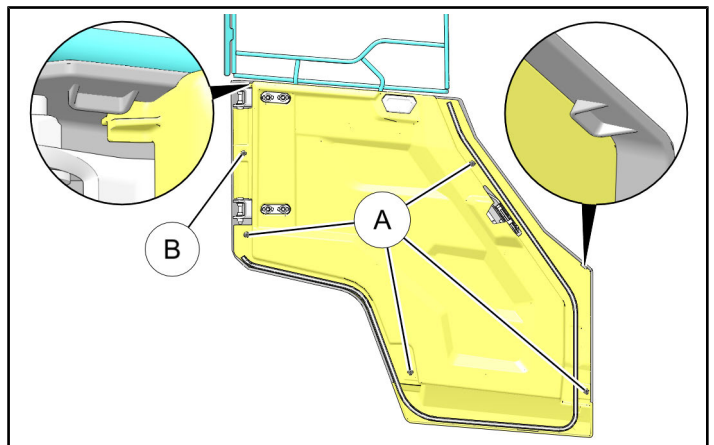


4. Install upper door (2) posts into post brackets.



5. Reinstall inner door panel using only FOUR Retained screws (A). Do not reinstall screw (B) at this time.

When installing inner door panel ensure forward and upper rear corners are positioned BEHIND outer door tabs as shown.





6. Install hold-down strap.
  - a. Loosely install hold down strap ⑩ (metal grommet) to REAR side of door panel using retained screw ⑧.
  - b. Route plastic clip around upper door frame as shown, then tighten screw.

**NOTE**

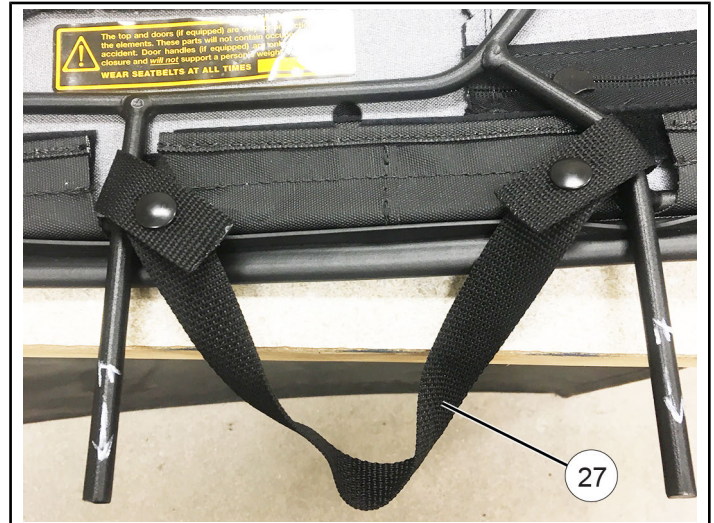
RH door shown; LH door opposite.



- c. Thread opposite end of strap through clip, then tighten strap.



7. Install pull strap ⑳ to upper door ② by wrapping each end of strap around door frame, then snapping ends together as shown.



8. Install retention strap.

**NOTE**

During vehicle operation retention strap helps prevent airflow through cab from venting out top of door.

Right rear door shown; other doors similar.

- a. With door closed, observe location where retention strap ㉑ can be secured to ROPS, roof panel, or roof liner.



- b. Clean installation surface as required, peel adhesive backing from adhesive tape ㉒, and press firmly into place.
  - c. Close door, then secure retention strap ㉑ to adhesive tape ㉒.
9. Carefully trim any excess seal material hanging from door.
10. Repeat Steps 1–9 for opposite door.



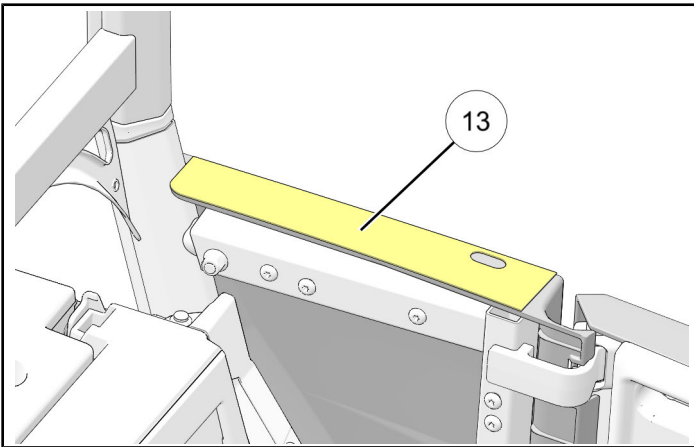
## BOLSTER PANEL INSTALLATION

### NOTE

LH side shown; RH side opposite except as noted.

1. Cut slot for bolster panel post.
  - a. Carefully cut out LH (or RH) template ⑬. Secure template to top surface of body bolster panel, ensuring proper location and orientation. Use ice pick (or equivalent) to mark center at each end of slot.

Ensure inboard edge of template is aligned with inboard edge of offset lip on door panel as shown.

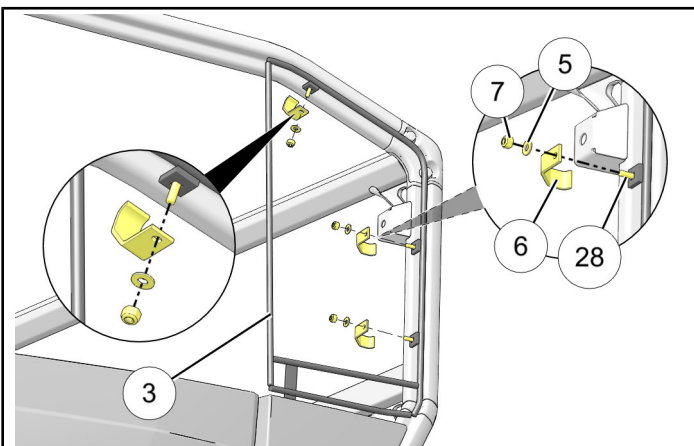


- b. Carefully drill 1/2 inch (13 mm) hole at each marked location.

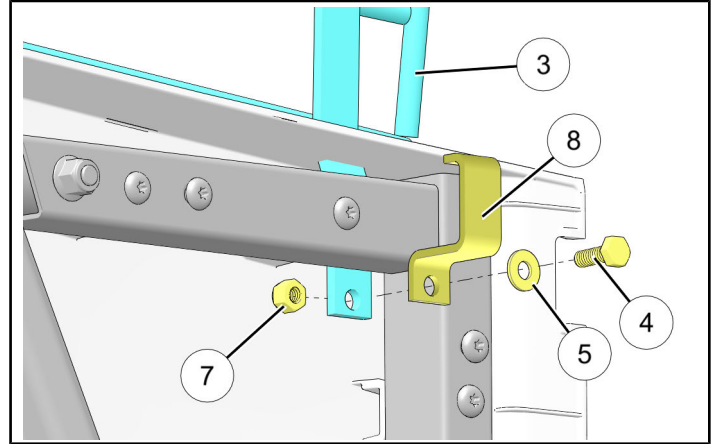
### IMPORTANT

Control drill depth to prevent damage to underlying structure or components.

- c. Carefully file between holes as required to create slot.
2. Loosely install bolster panel ③ post through slot, then loosely secure panel to ROPS using three each bolster panel brackets ⑥, carriage bolts ⑳, washers ⑤, and nuts ⑦.



3. Loosely install bolster panel ③ post to vehicle frame using bolster panel bracket ⑧, screw ④, washer ⑤, and nut ⑦.



4. Tighten all nuts ⑦.
5. Repeat Steps 1–4 for opposite side.

## VEHICLE OPERATION

This Canvas Upper Door Kit is recommended for use under the following conditions:

- **If windshield is fully closed** then canvas windows can be open or closed, as desired.
- **If windshield is partially open** (such as Tip-Out Glass Windshield Kit PN 2881108) then canvas windows should be partially open.
- **If windshield is fully open, or no windshield is installed**, then canvas windows should be fully open.

### IMPORTANT

Upper doors not designed to withstand unrestricted air flow through cab.

## UPPER DOOR REMOVAL

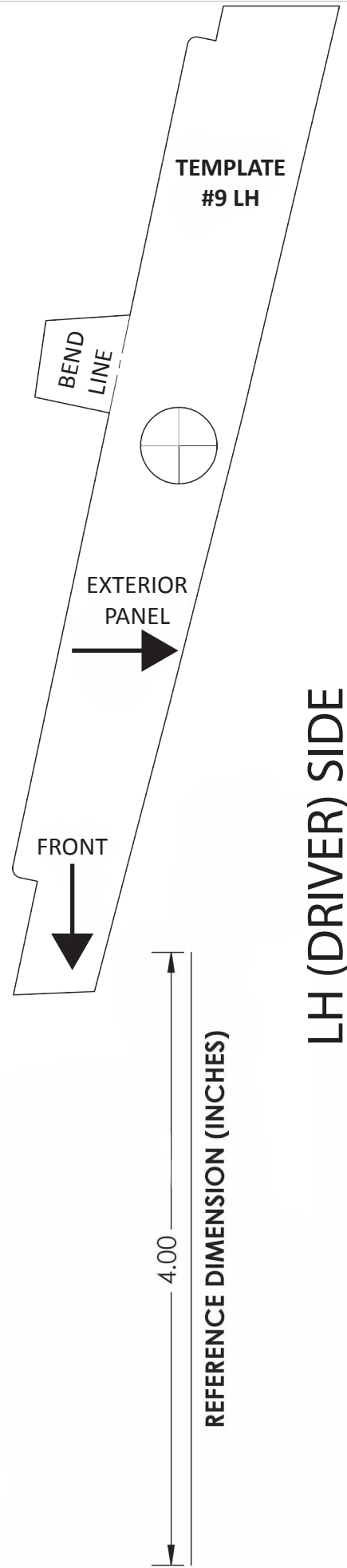
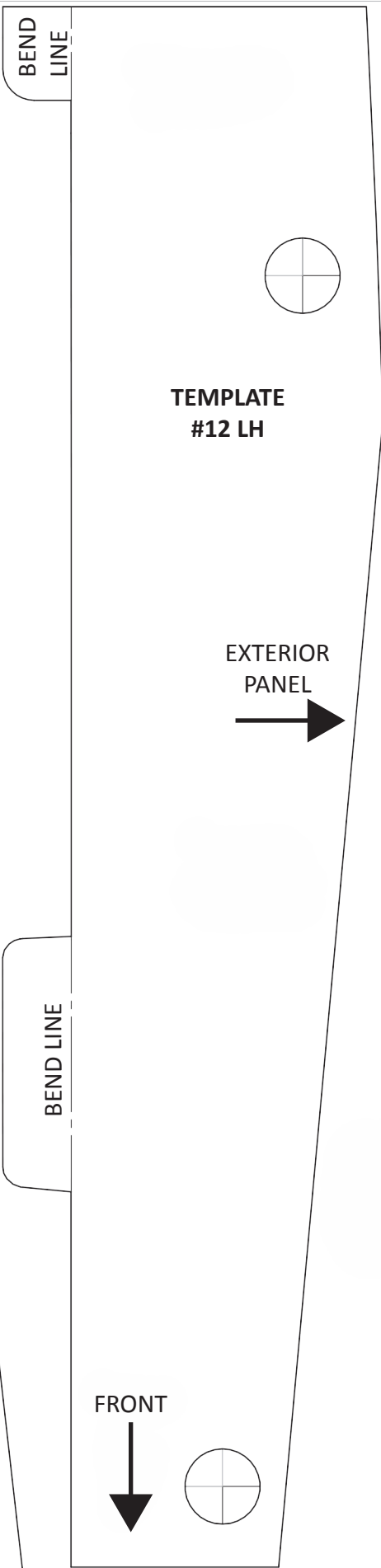
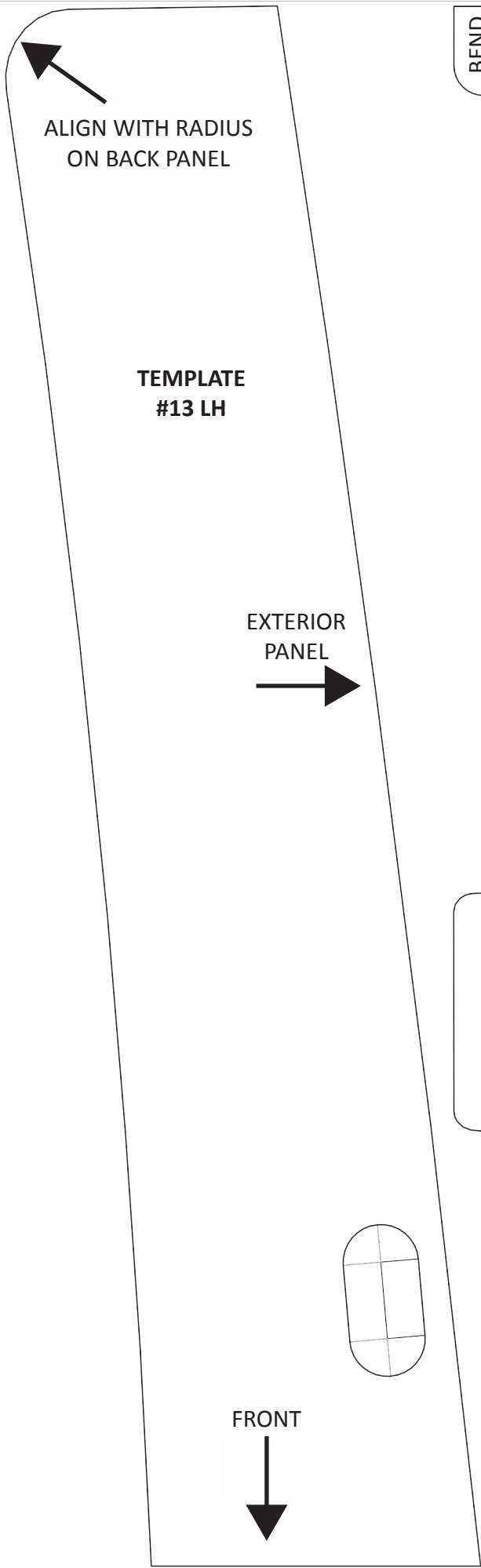
If upper doors are removed, outer door panel holes may be plugged as follows:

- Front Door: Two round grommets ⑳ and one angle grommet ㉑
- Rear Door: Two round grommets ㉒
- Bolster Panel: One slot grommet ㉓

## FEEDBACK FORM

A feedback form has been created for the installer to provide any comments, questions or concerns about the installation instructions. The form is viewable on mobile devices by scanning the QR code or by clicking [HERE](#) if viewing on a PC.



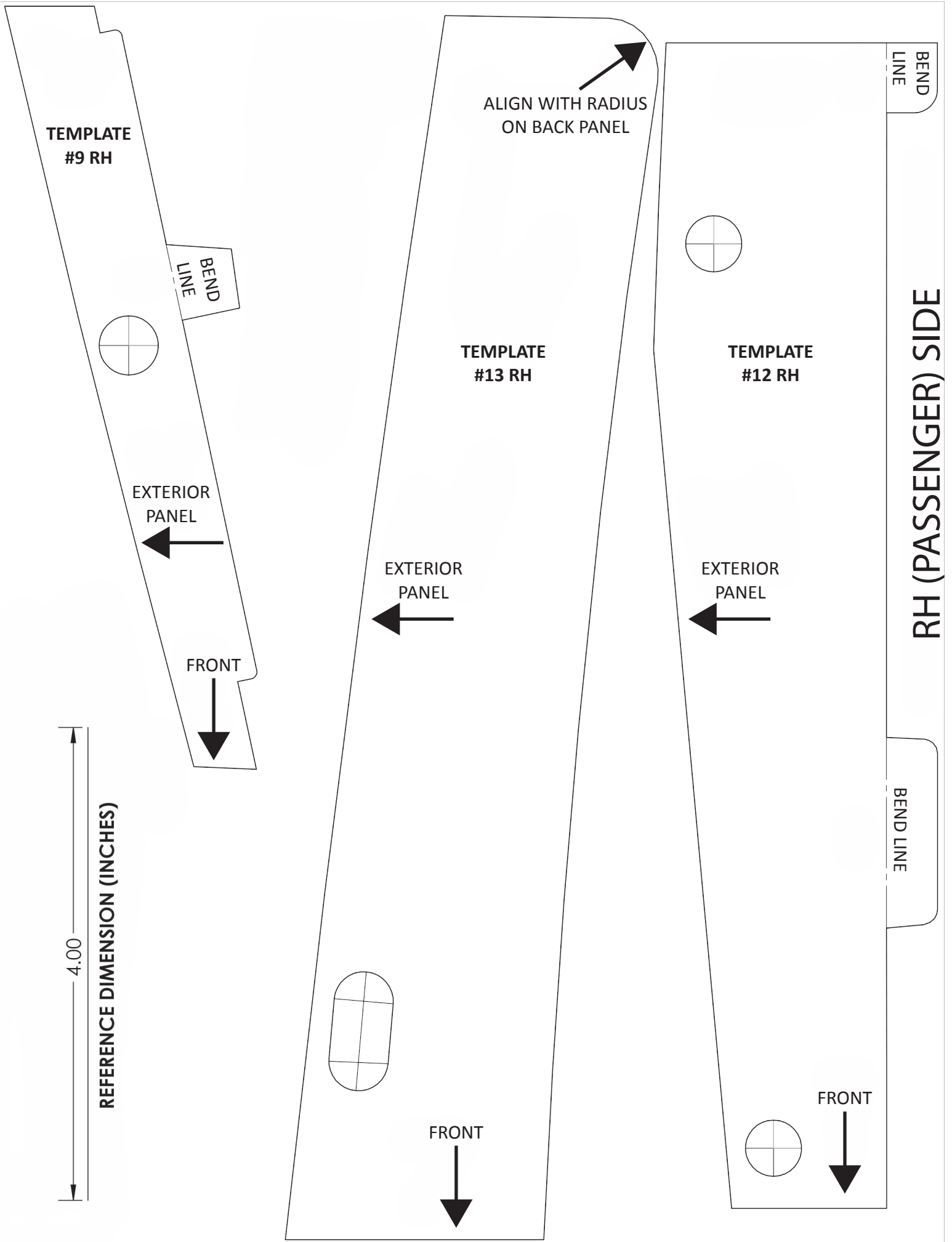


4.00  
REFERENCE DIMENSION (INCHES)

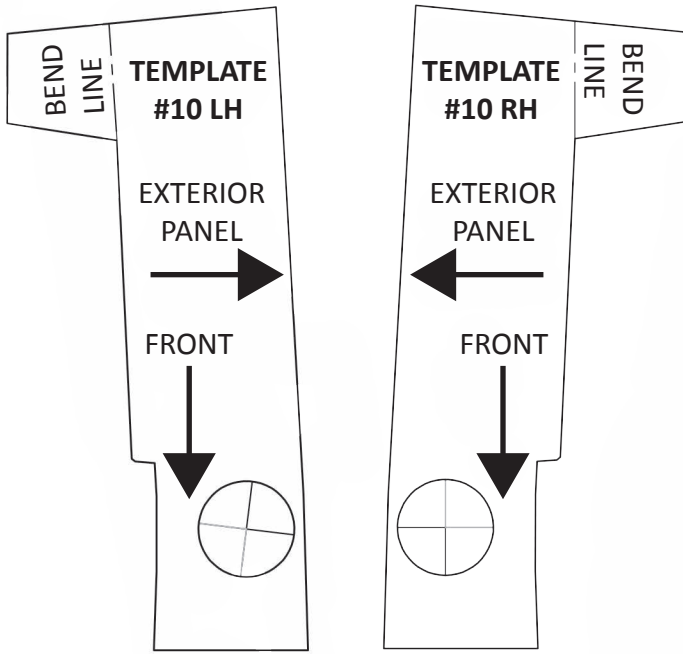
LH (DRIVER) SIDE

**THIS PAGE INTENTIONALLY BLANK; TEMPLATE ON PREVIOUS PAGE**

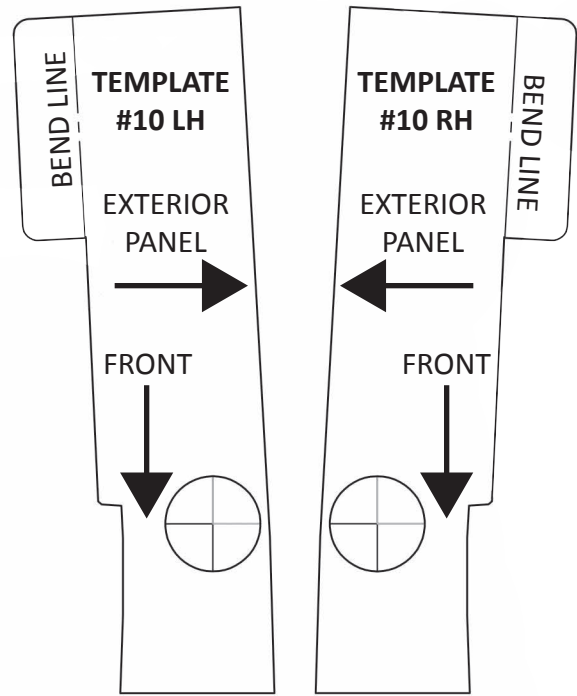




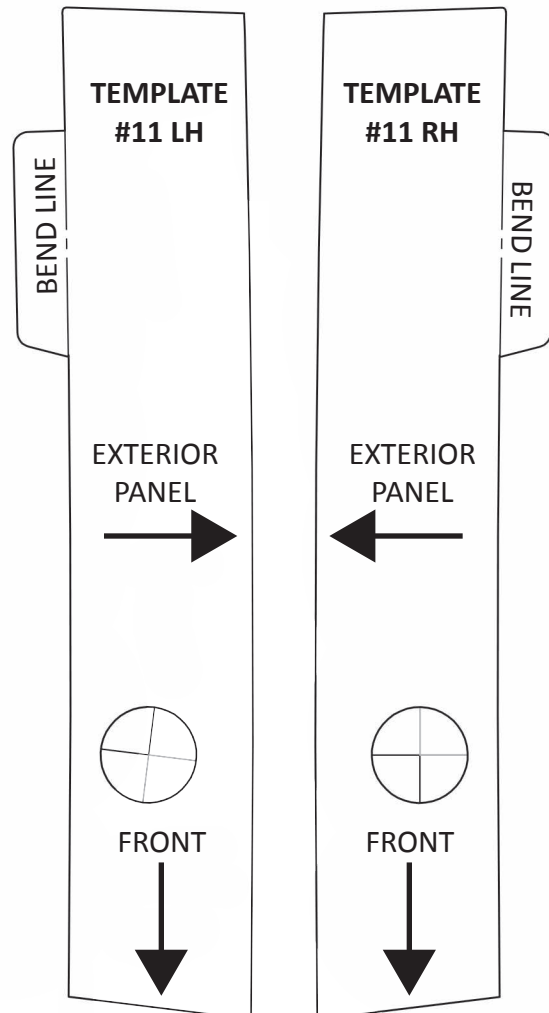
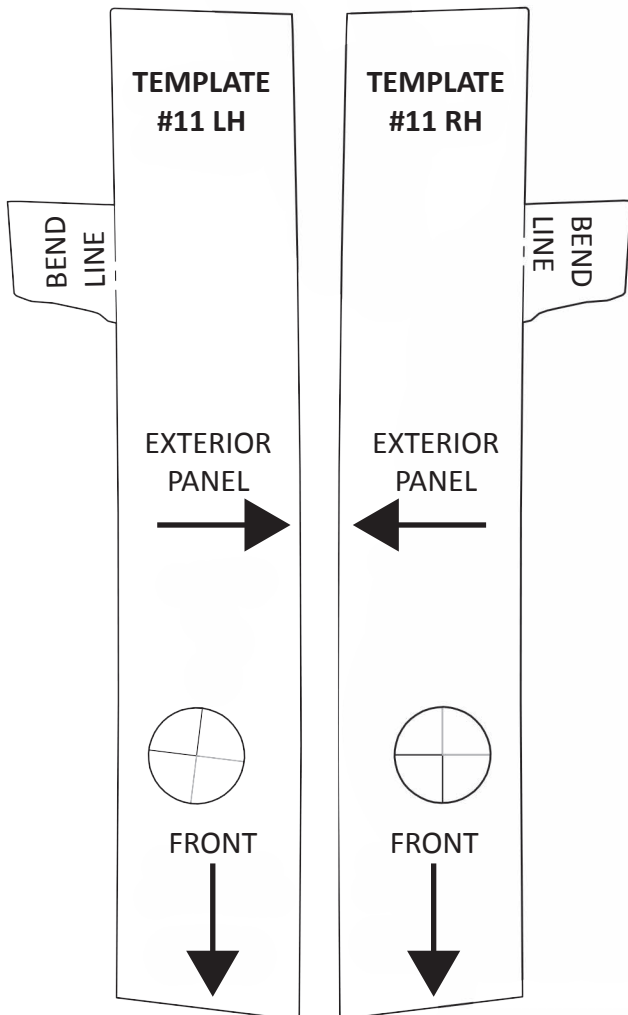
**THIS PAGE INTENTIONALLY BLANK; TEMPLATE ON PREVIOUS PAGE**



**FRONT DOOR  
EXTERIOR PANEL  
HOOKS**



**FRONT DOOR  
EXTERIOR PANEL  
SLOTS**



4.00  
REFERENCE DIMENSION (INCHES)

**THIS PAGE INTENTIONALLY BLANK; TEMPLATE ON PREVIOUS PAGE**