

# PREMIUM DOOR KIT



**P/N 2883717**

## APPLICATION

Verify accessory fitment at [Polaris.com](http://Polaris.com).

## BEFORE YOU BEGIN

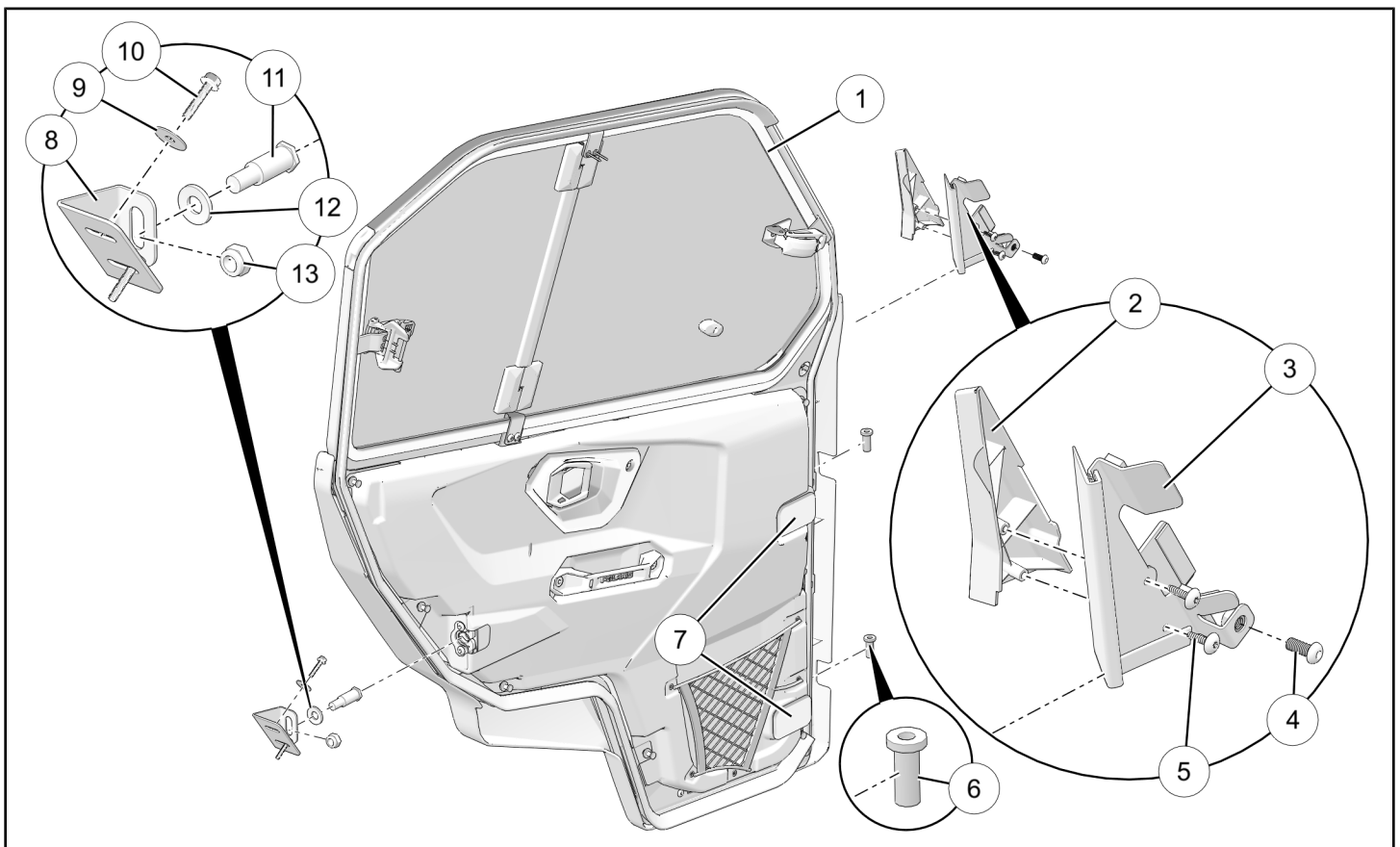
Read these instructions and check to be sure all parts and tools are accounted for. Please retain these installation instructions for future reference and parts ordering information.

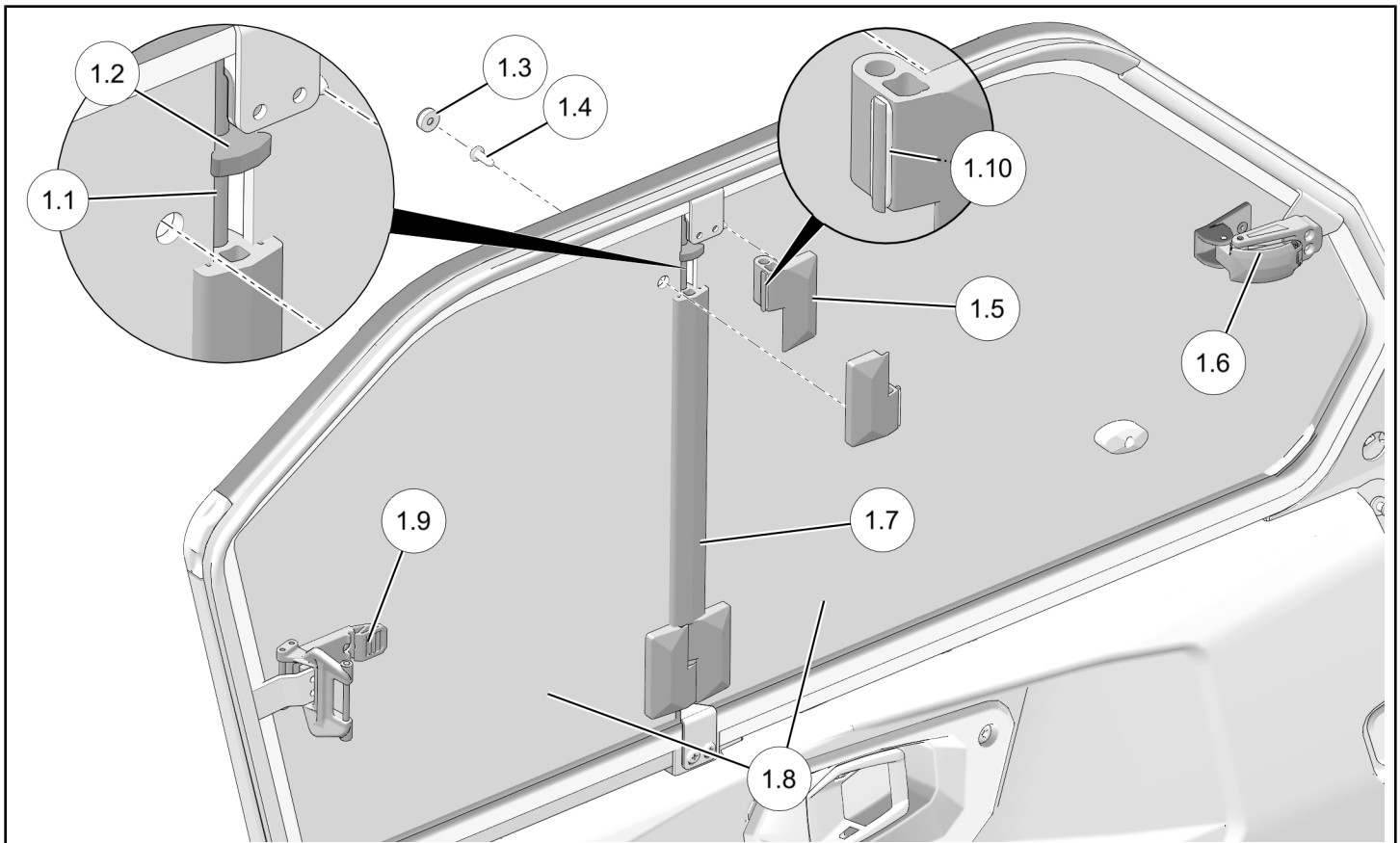
## KIT CONTENTS

This Kit includes:

### NOTE

LH side shown; RH side opposite.





REF	QTY	PART DESCRIPTION	PART NUMBER	INCLUDED IN SERVICE KIT
1	1 1	Door Assembly (includes items 1.1–1.10) LH RH (not shown)	2637337 2637338	- -
1.1	1	- Pin, Hinge	-	2207063
1.2	2	- Seal, Hinge	-	2207063
1.3	4	- Cap	-	2207063
1.4	4	- Screw, Torx® Truss Head, High/Low - #14 X 3/4	-	2207063
1.5	4	- Hinge	-	2207063
1.6	1	- Latch, Forward	-	2208019
1.7	1	- Seal, Center	-	2207063
1.8	1 1	- Glass, Front and Rear, LH - Glass, Front and Rear, RH (not shown)	- -	2207065 2207066
1.9	1	- Latch, Rear	-	2208019
1.10	4	- Seal, Hinge	-	2207063
2	1 1	Trim, A-Pillar, LH, Outboard Trim, A-Pillar, RH, Outboard (not shown)	- -	2207064* 2207064*
3	1 1	Trim, A-Pillar, LH, Inboard Trim, A-Pillar, RH, Inboard (not shown)	- -	2207064* 2207064*
4	2	Screw, Button Head Hex - M8 X 1.25 X 20	-	2207064*

REF	QTY	PART DESCRIPTION	PART NUMBER	INCLUDED IN SERVICE KIT
5	4	Screw, Torx® - 10-12 X 3/4	-	2207064*
6	4	Bushing, Hinge	-	2207064*
7	4	Cover, Hinge Access	-	2207064*
8	1 1	Bracket, Striker, LH Bracket, Striker, RH (not shown)	- -	2207064* 2207064*
9	4	Washer - M6.5 X 25 X 1.5	-	2207064*
10	4	Screw, Hex Flange - M6 X 1.0 X 30	-	2207064*
11	2	Pin, Striker	-	2207064*
12	2	Washer, Conical Spring - M12	-	2207064*
13	2	Nut, Hex, Locking - M12 X 1.75	-	2207064*
	1	Instructions	9929298	-

\* Service kit contains parts and hardware required for BOTH sides of vehicle.

## TOOLS REQUIRED

- Safety Glasses
- E-Clip Tool\*
- Hex Key Set, Metric
- Pry Tool
- Screwdriver Set, Torx®
- Socket Set, Metric
- Torque Wrench
- Wrench Set, Metric

\* Tool requirement dependent on specific installation.

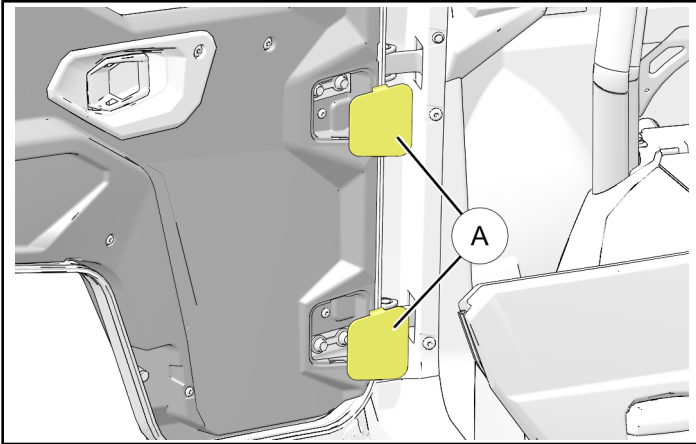
## IMPORTANT

Your Premium Door Kit is exclusively designed for your vehicle. Please read the installation instructions thoroughly before beginning. Installation is easier if the vehicle is clean and free of debris. For your safety, and to ensure a satisfactory installation, perform all installation steps correctly in the sequence shown.

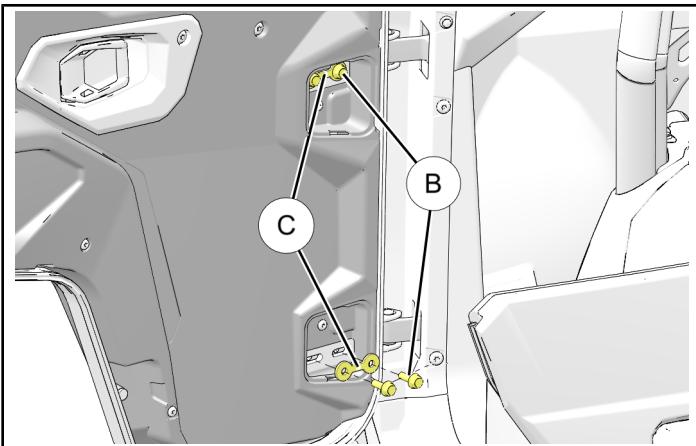
# INSTALLATION INSTRUCTIONS

## REMOVE EXISTING DOORS

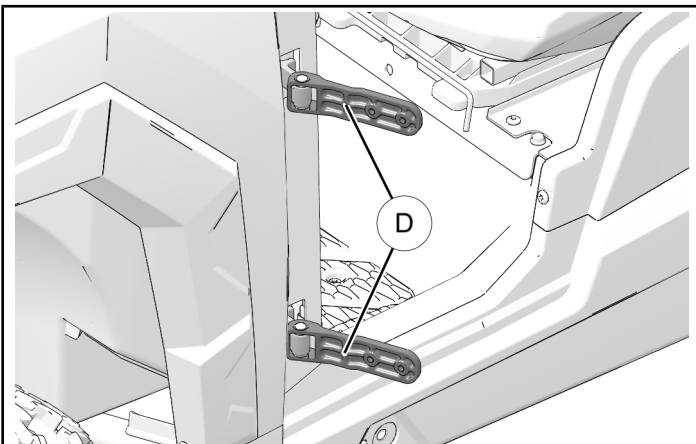
1. Shift vehicle transmission into "PARK". Turn key to "OFF" position and remove from vehicle.
2. With LH door open, remove two hinge access covers (A) by carefully detaching upper and lower locking tabs from door panel. Covers will not be reused with new door.



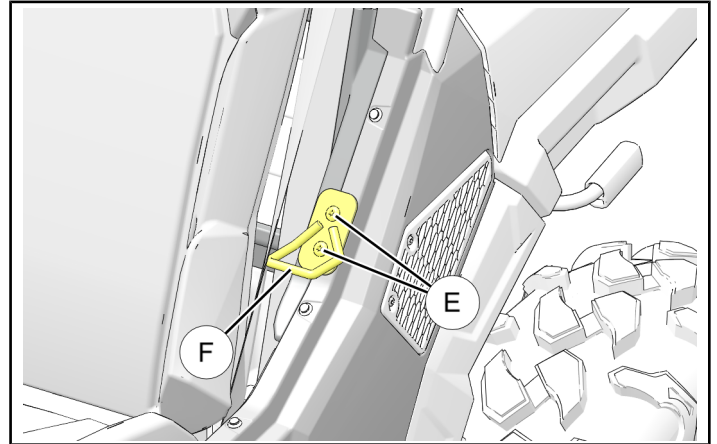
3. Remove two screws (B) and double washer (C) from each door-side hinge. Retain screws and washers.



4. Slide door assembly off door-side hinges (D).



5. Remove two screws (E), then remove striker plate (F). Screws and striker plate will not be reused with new door.



6. Repeat Steps 2–5 for RH door.

### NOTE

Retain hinge access covers (A), screws (E), and striker plate (F) for seasonal reinstallation of existing door.

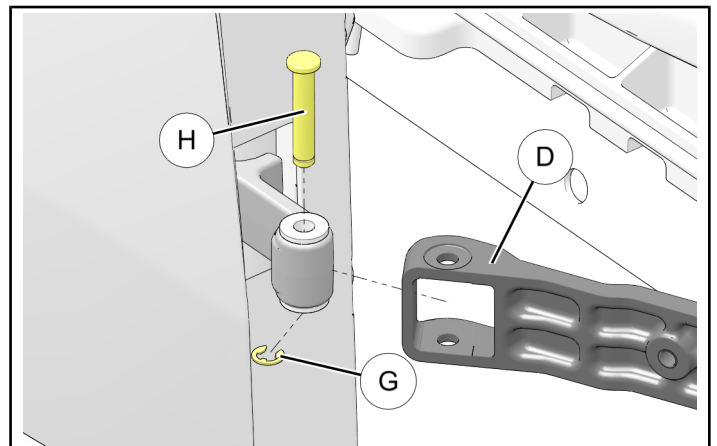
Door-side hinge screws (B) and double washer (C) will be reused to install new door (1).

## REPLACE HINGE BUSHINGS

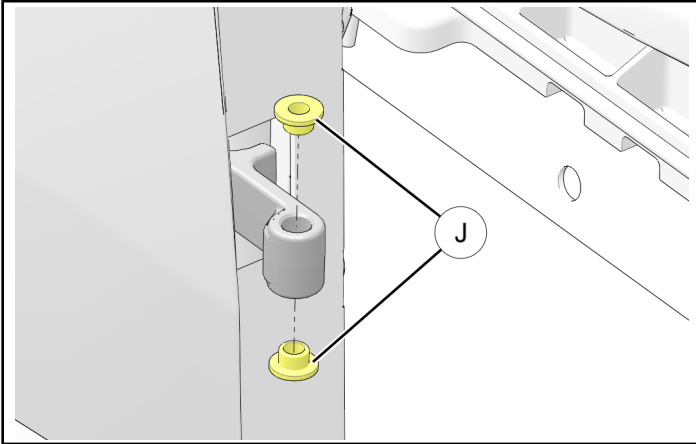
1. Remove clip (G), hinge pin (H), and door-side hinge (D). Repeat for remaining hinges (LH and RH doors). Retain clips, pins, and hinges.

### NOTE

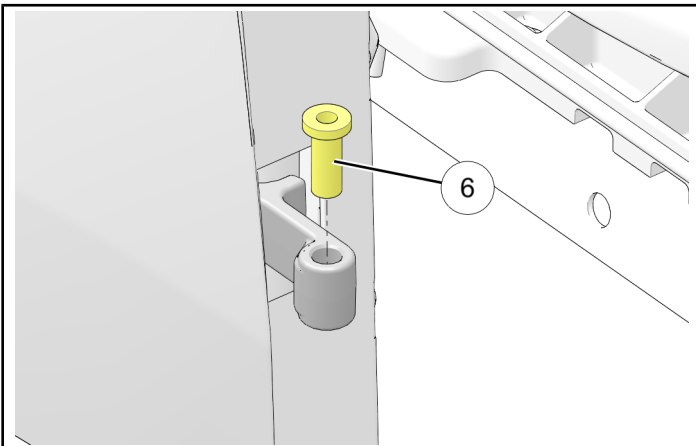
LH and RH door-side hinges are interchangeable. Some vehicles use bolt and lock nut instead of pin and clip. Retain bolts and nuts.



- Remove upper and lower hinge pin bushings ① from all vehicle-side hinges. Bushings will not be reused.

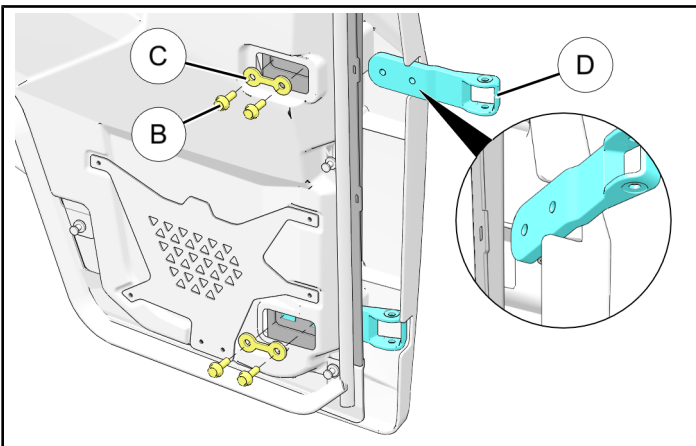


- Insert new bushing ⑥ TOP-DOWN into all vehicle-side hinges.



## INSTALL NEW DOORS

- Loosely install retained door-side hinge ④ to new LH door ① using two screws ② and double washer ③. Repeat for lower hinge.



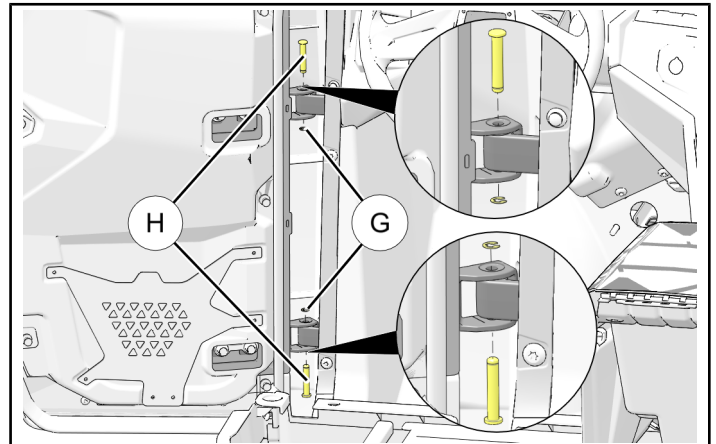
- Position new door ① so door-side hinge pin holes align with vehicle-side hinge pin holes.

Install retained UPPER hinge pin (or bolt) ⑧ from TOP-DOWN, then install LOWER hinge pin (or bolt) ⑧ from BOTTOM-UP (to clear door web).

- If pins are used, secure each with retained clip ⑥.
- If bolts are used, secure each with retained lock nut, then torque to specification.

### TORQUE

8 ft. lbs. (11 Nm) ± 10%



- Push door inwards while attempting to center door in ROPS/chassis opening. Hold door in place, then observe gap between door assembly ① and ROPS/chassis (around entire perimeter of door).

Adjust as required so door is centered, then torque hinge screws ② to specification.

### TORQUE

27 ft. lbs. (37 Nm) ± 10%

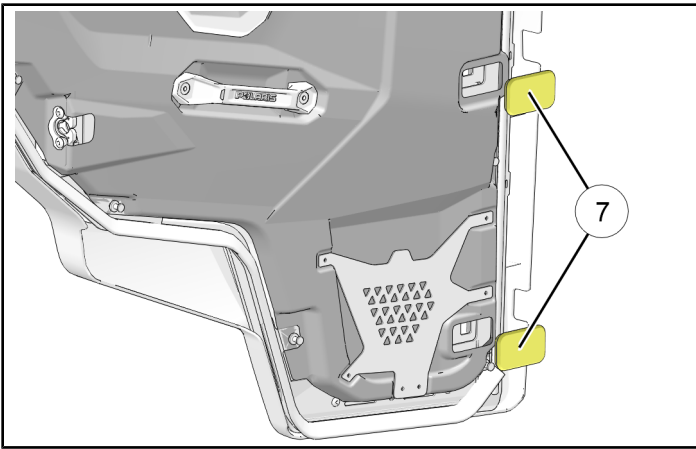
### NOTE

Seal compression will be adjusted in Step 5c.

### TIP

Have one person hold and center the door, and a second person tighten the screws.

4. Install two hinge access covers (7) to new door (1).

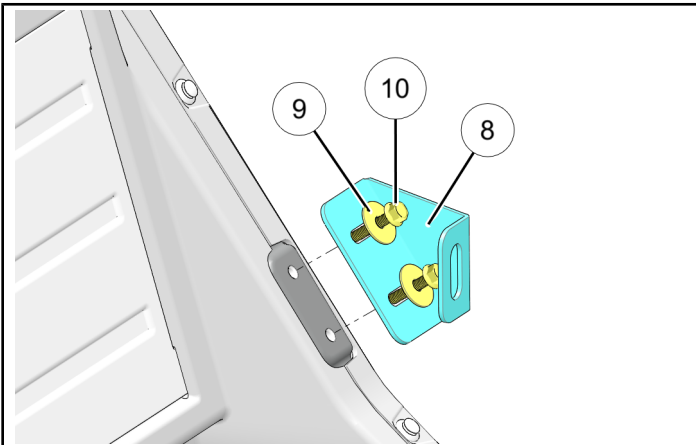


5. Install striker bracket and pin.

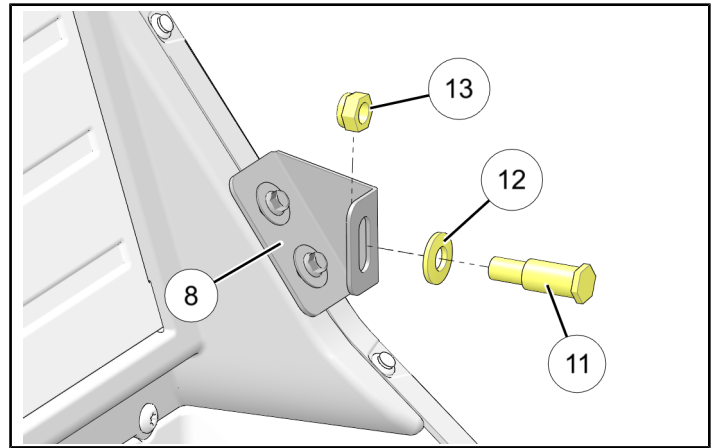
- a. Install striker bracket (8) to vehicle using two each screws (10) and washers (9). Position bracket in middle of adjustment slots. Do not fully tighten screws at this time.

**TIP**

Slide striker bracket outboard in slots to provide room for socket. Install screws until almost seated, then slide bracket to middle of slots and continue tightening with wrench.



- b. Install striker pin (11) and conical spring washer (12) to striker bracket (8) using nut (13). Ensure cupped-side of washer is towards striker bracket. Position striker in middle of adjustment slot. Do not fully tighten nut at this time.

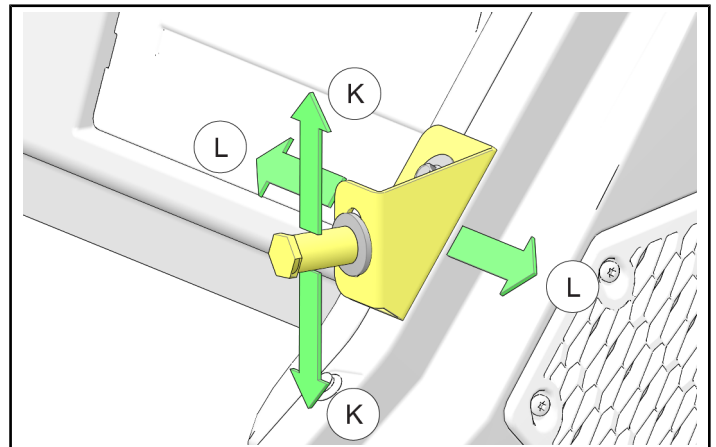


- c. Open door latch (to properly position pawls), then slowly close door and observe engagement of striker pin (11) into door latch.

Adjust striker pin and/or striker bracket (8) to achieve the following:

- HEIGHT (K):** Pin shank should be centered vertically in opening of latch frame. To adjust, loosen nut (13), move striker pin (11) up or down as required, then retighten nut.
- DEPTH (L):** As required to achieve desired seal compression and door fairing. To adjust, loosen screws (10), move striker bracket (8) inboard or outboard as required, then retighten screws.

Ensure depth adjustment is made with latch pawls at FULL closure as shown (second "click"), not at partial closure (first "click").



- d. Torque fasteners to specification.

**TORQUE**

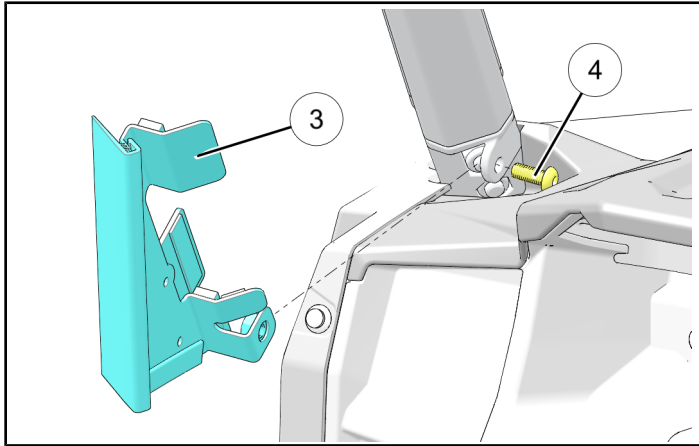
Screws (10): 7 ft. lbs. (9 Nm) ± 10%  
Nut (13): 30 ft. lbs. (41 Nm) ± 10%

6. Install A-pillar trim.
- a. Install inboard trim ③ to A-pillar mounting ear using screw ④.

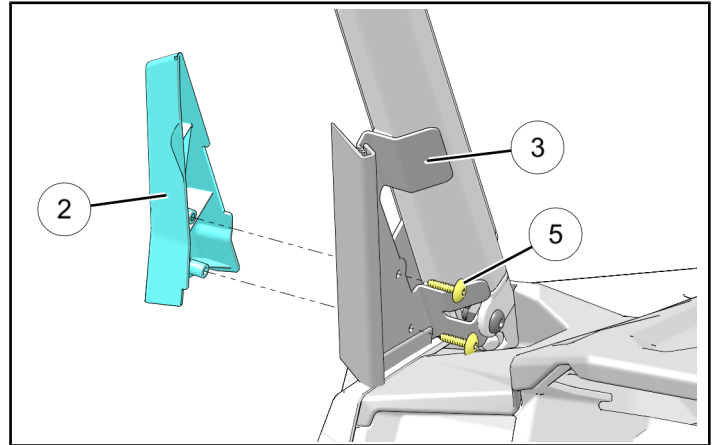
**NOTE**

If Poly Flip Down Windshield Kit (PN 2882174) or Tip-Out Glass Windshield (PN 2881108) is installed, then remove and discard M8 nut on outboard side of A-pillar mounting ear.

Reinstall windshield component (bracket or ball fitting, as applicable) AND inboard trim to ear using weld nut attached to trim.



- b. Install outboard trim ② to inboard trim ③ using two screws ⑤. Do NOT overtighten screws.



7. Repeat Steps 1–6 for RH door.

**FEEDBACK FORM**

A feedback form has been created for the installer to provide any comments, questions or concerns about the installation instructions. The form is viewable on mobile devices by scanning the QR code or by clicking [HERE](#) if viewing on a PC.

**FEEDBACK FORM**

