

DUAL REAR GUN MOUNT KIT



P/N 2881528

APPLICATION

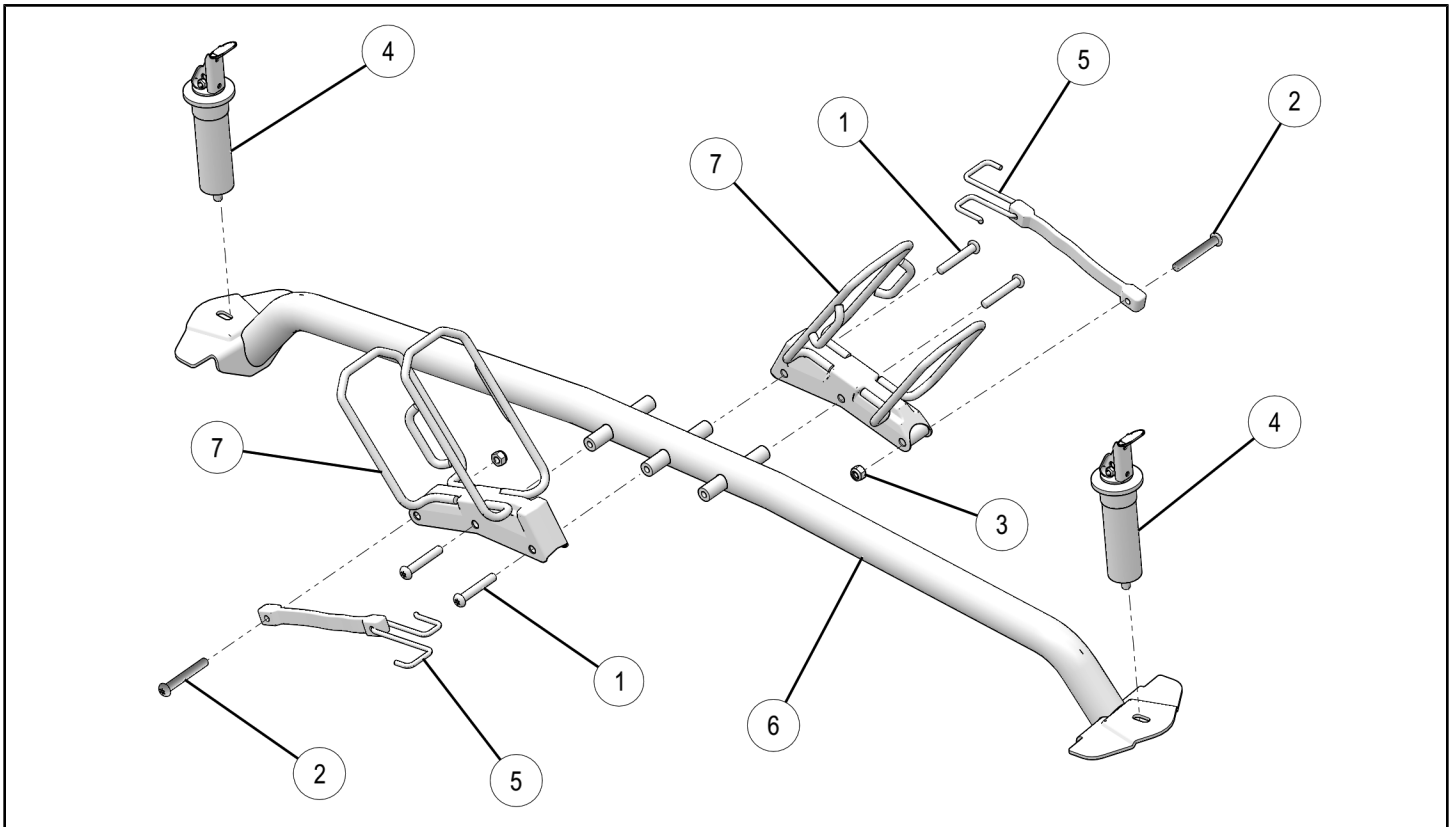
Verify accessory fitment at Polaris.com.

BEFORE YOU BEGIN

Read these instructions and check to be sure all parts and tools are accounted for. Please retain these installation instructions for future reference and parts ordering information.

KIT CONTENTS

This Kit includes:



REF	QTY	PART DESCRIPTION	PART NUMBER
1	4	Screw, Torx® Button Head - M8 X 1.25 X 50	-
2	2	Screw, Torx® Button Head - M8 X 1.25 X 60	-
3	2	Nut, Hex - M8 X 1.25	-
4	2	Expansion Anchor Kit	-
5	2	Strap	-
6	1	Mount	-
7	2	Scabbard	-
	1	Instructions	9926943

TOOLS REQUIRED

- Safety Glasses
- Screwdriver, Phillips

- Screwdriver Set, Torx®
- Wrench Set, Metric

IMPORTANT

Your DUAL REAR GUN MOUNT KIT is exclusively designed for your vehicle. Please read the installation instructions thoroughly before beginning. Installation is easier if the vehicle is clean and free of debris. For your safety, and to ensure a satisfactory installation, perform all installation steps correctly in the sequence shown.

ASSEMBLY TIME

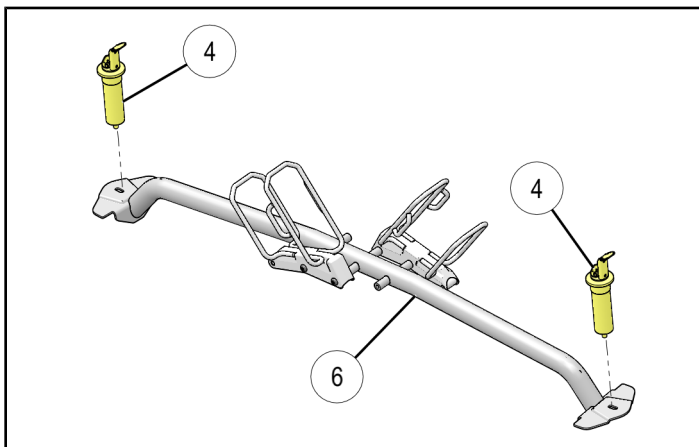
Approximately 10 minutes

INSTALLATION INSTRUCTIONS

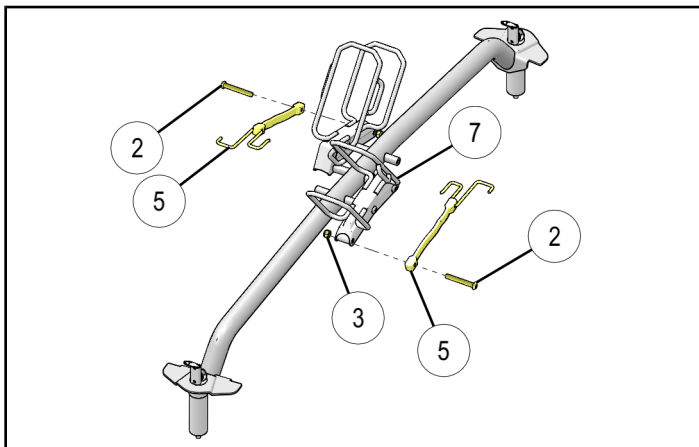
1. Shift vehicle transmission into "PARK". Turn key to "OFF" position and remove from vehicle.
2. Install two LOCK & RIDE® expansion anchors ④ to mount ⑥ as shown.

NOTE

Refer to instructions included with LOCK & RIDE® expansion anchor.



3. Install one strap (5) to each scabbard (7) using one screw (2) and nut (3) as shown.



4. Install gun mount ⑥ into bed until expansion anchors ④ are fully seated, then depress upper cams to lock in place as shown. If installation is loose, remove gun mount ⑥ from vehicle, tighten nut at base of expansion anchor, and reinstall.

NOTE

Installation is possible in front set of bed holes only. Ensure proper orientation of gun mount; mounting brackets on each end of tubing are angled to fit bed profile.

