

SINGLE REAR GUN MOUNT KIT



P/N 2881747

APPLICATION

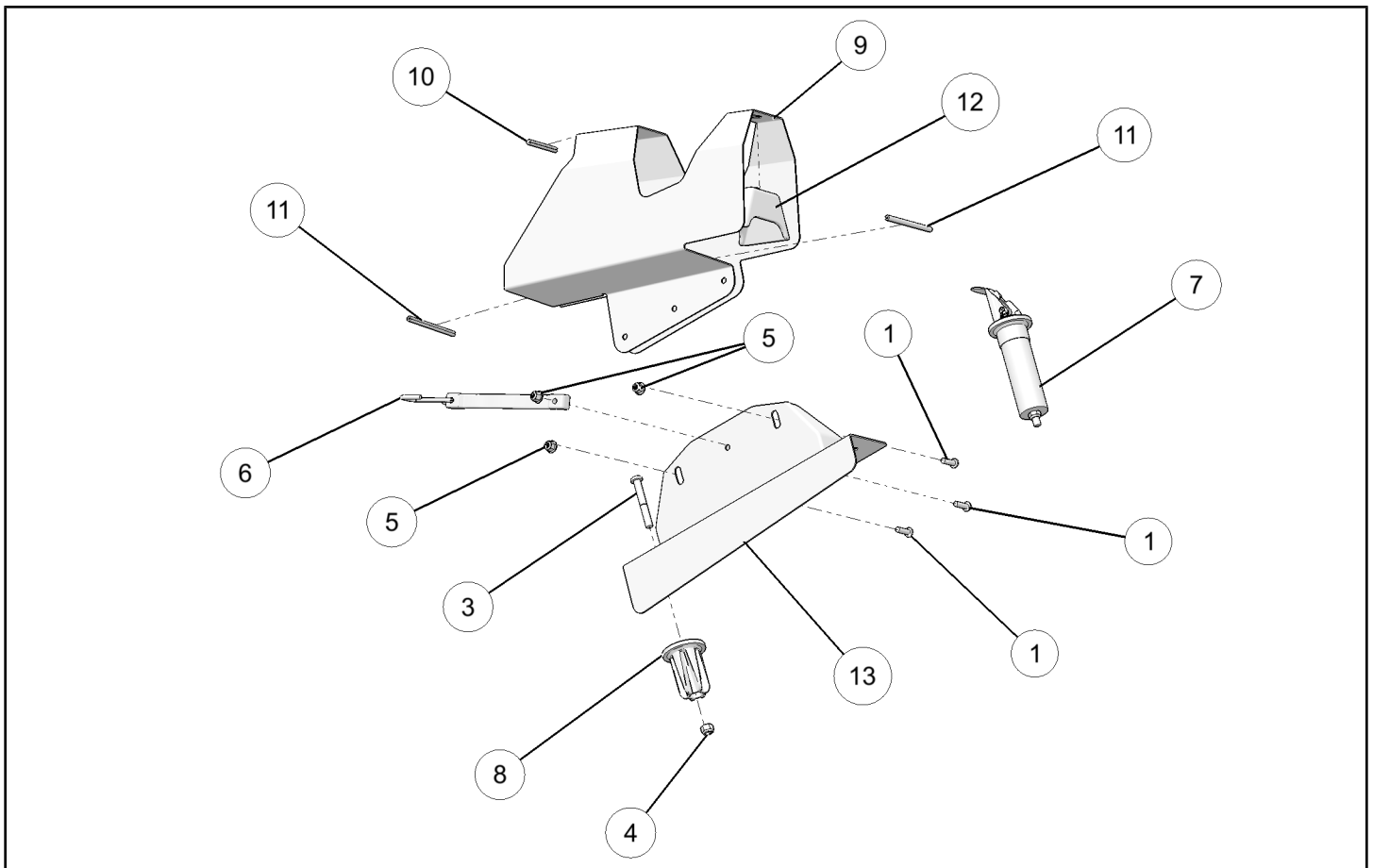
Verify accessory fitment at Polaris.com.

BEFORE YOU BEGIN

Read these instructions and check to be sure all parts and tools are accounted for. Please retain these installation instructions for future reference and parts ordering information.

KIT CONTENTS

This Kit includes:



REF	QTY	PART DESCRIPTION	PART NUMBER
1	2	Screw - M6 X 1.0 X 20	-
2	1	Screw - M6 X 1.0 X 35	-
3	1	Screw - M8 X 1.25 X 60	-
4	1	Nut, Hex - M8 X 1.25	-
5	3	Nut, Hex Flange - M6 X 1.0	-
6	1	Strap	-

REF	QTY	PART DESCRIPTION	PART NUMBER
7	1	Expansion Anchor Kit	-
8	1	Pilot	-
9	1	Scabbard	-
10	1	Trim, Upper	-
11	2	Trim, Lower	-
12	1	Rubber Bumper	-
13	1	Mount	-
	1	Instructions	9926942

TOOLS REQUIRED

- Safety Glasses
- Screwdriver, Phillips
- Hex Key Set, Metric
- Wrench Set, Metric

IMPORTANT

Your SINGLE REAR GUN MOUNT KIT is exclusively designed for your vehicle. Please read the installation instructions thoroughly before beginning. Installation is easier if the vehicle is clean and free of debris. For your safety, and to ensure a satisfactory installation, perform all installation steps correctly in the sequence shown.

ASSEMBLY TIME

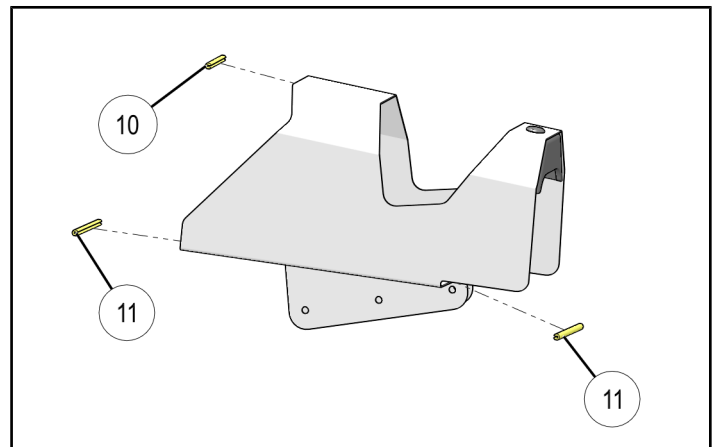
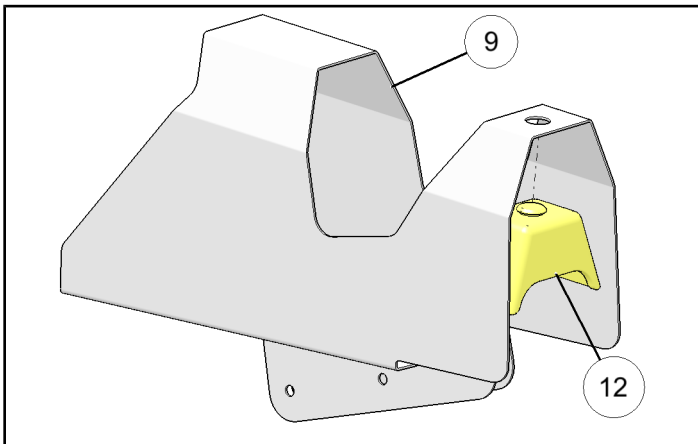
Approximately 10 minutes

INSTALLATION INSTRUCTIONS

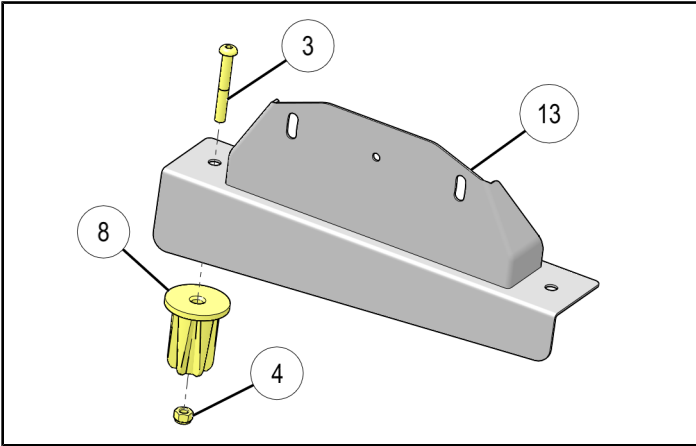
1. Shift vehicle transmission into "PARK". Turn key to "OFF" position and remove from vehicle.
2. If gun mount kit will be used with Kolpin Gun Boot IV (sold separately), then install rubber bumper ⑫ to scabbard ⑨ by pushing into place as shown.
3. Install one upper trim segment ⑩ and two lower trim segments ⑪ by pushing into place as shown.

NOTE

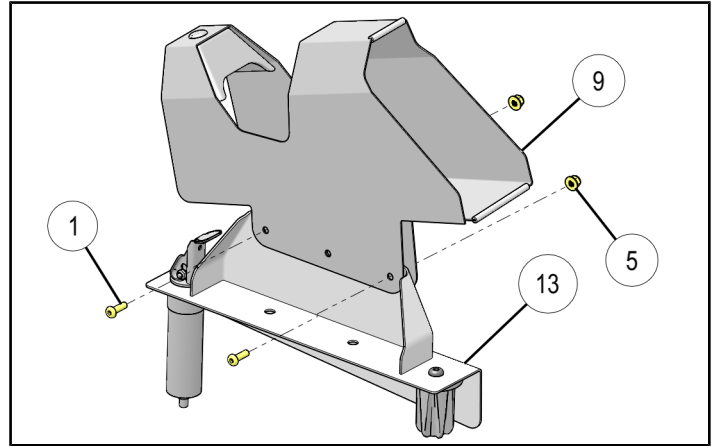
Rubber bumper not required for Kolpin Gun Boot 6.0.



4. Install pilot ⑧ to mount ⑬ using screw ③ and nut ④ as shown.



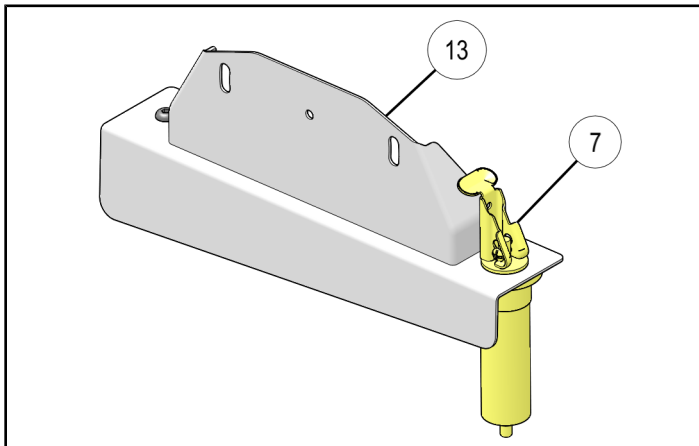
6. Install scabbard ⑨ to mount ⑬ using two screws ① and nuts ⑤ as shown.



5. Install LOCK & RIDE® expansion anchor ⑦ to mount ⑬ as shown.

NOTE

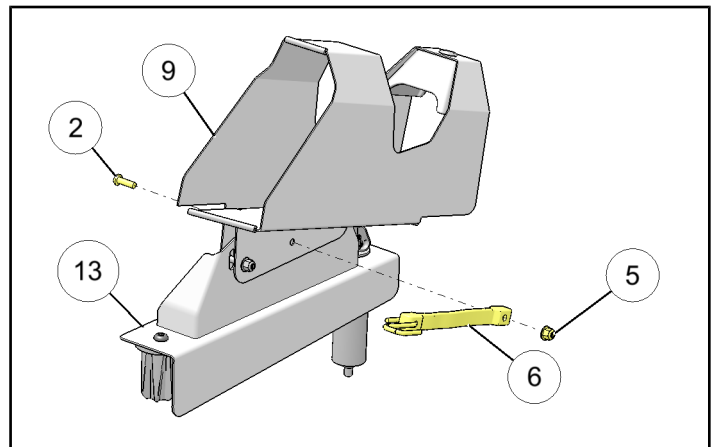
Refer to instructions included with LOCK & RIDE® expansion anchor.



7. Install strap ⑥ to scabbard ⑨ and mount ⑬ using one screw ② and nut ⑤ as shown.

NOTE

Opposite (hook) end of strap will attach to gun boot.



8. Open bed.

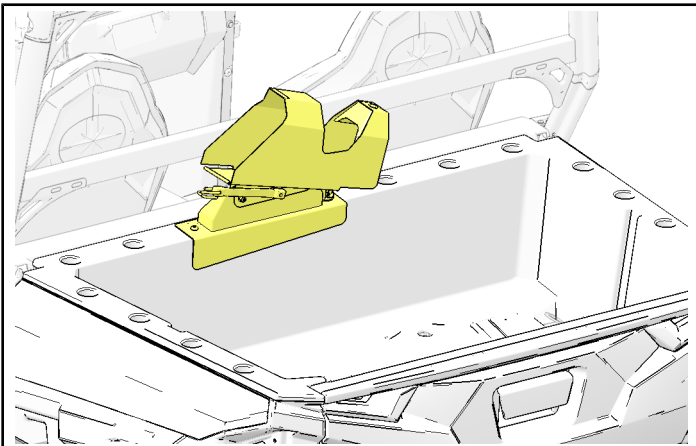
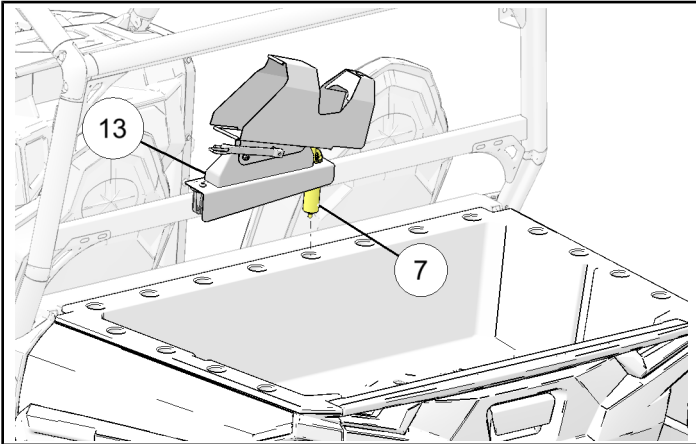
NOTE

Bed must be open to install or remove gun mount. After installation, bed can be opened or closed as desired.

9. Install gun mount ⑬ into bed until expansion anchor ⑦ is fully seated, then depress upper cam to lock in place. If installation is loose, remove gun mount ⑬ from vehicle, tighten nut at base of expansion anchor, and reinstall.

IMPORTANT

Ensure gun mount is located so gun boot does not protrude beyond sides of vehicle.



10. Close bed.