

GLACIER PRO MID SIZE PUSH FRAME KIT

P/N 2880260

POLARIS

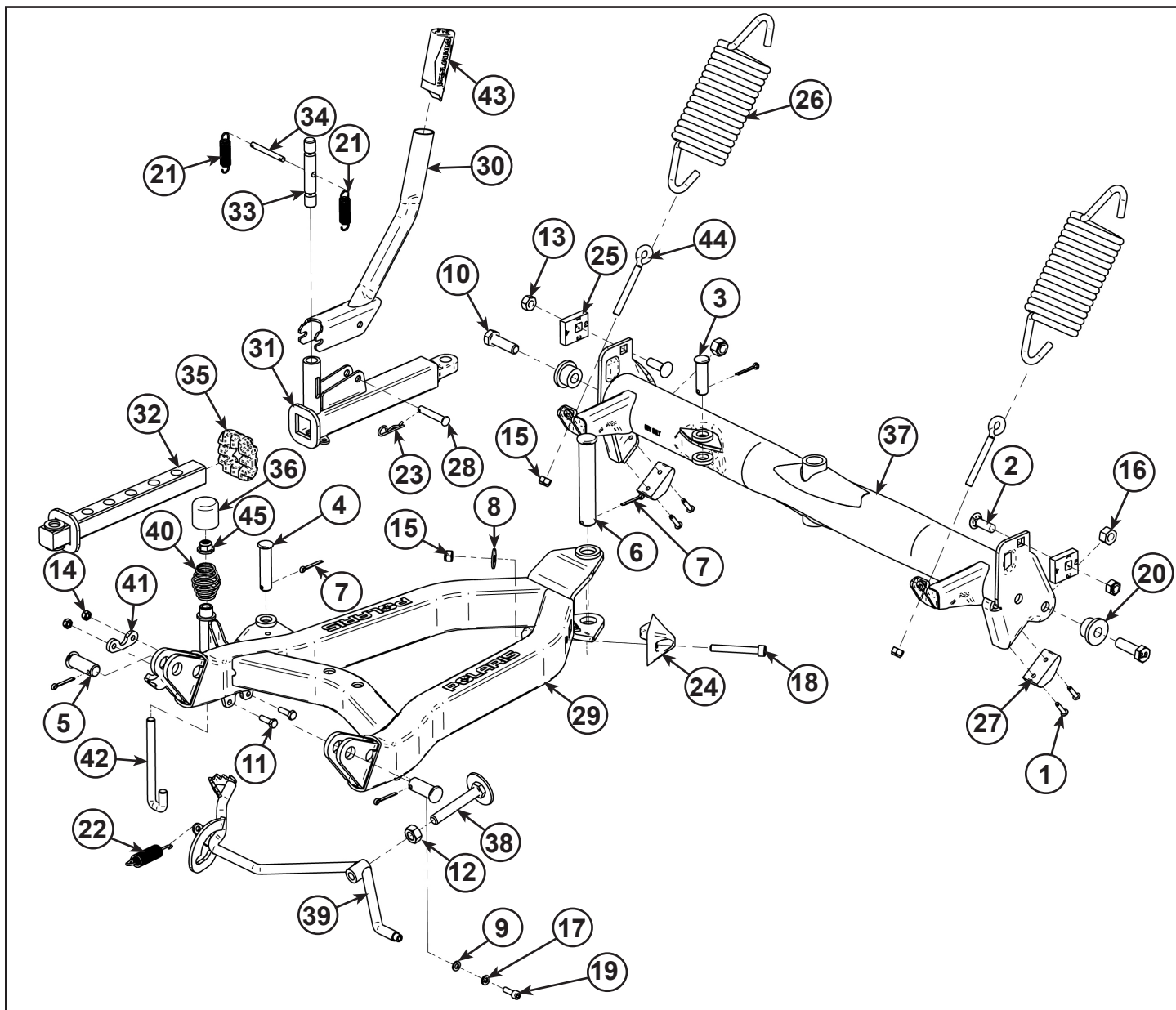
ENGINEERED PARTS
ACCESSORIES & APPAREL

APPLICATION

2010 AND NEWER RANGER MID-SIZE MODELS;
2015 AND NEWER RZR 900 MODELS

BEFORE YOU BEGIN

Read these instructions thoroughly and make sure all parts and tools are accounted for. Please retain these installation instructions for future reference and parts ordering information.



Spare Kits											
Ref	Description	Plow Kit (2880260)	Shear Pin Kit (2205527)	Kickstand Kit (2205534)	Bumper Kit (2205529)	Plow Pivot Kit (2205530)	Angle Selector Kit (2205528)	Pins Kit (2205526)	Angle Pin Kit (2205068)	Plow Spring Kit (2205382)	Blade Parts Kit (2205380)
1	Rivet 4.8mm X 19mm	4x			4x	4x					
2	Carriage Bolt, M10-1.5 X 30mm	2x									2x
3	Clevis Pin, Ø14mm X 45mm	1x					1x	1x	1x		
4	Clevis Pin, Ø14mm X 60mm	1x					1x	1x	1x		
5	Clevis Pin, Ø16mm X 40mm	2x						2x			
6	Clevis Pin, Ø20mm X 115mm	1x						1x			
7	Cotter Pin, Ø3 X 25mm	5x					2x	5x	2x		
8	Fender Washer, M8	1x			1x						
9	Flat Washer, M6	1x		1x							
10	Hexagonal Bolt, M12 X 1.75 X 40	2x									2x
11	Hexagonal Bolt, M6-1.0 X 20	2x		2x							
12	Hexagonal Nut, M12 X 1.75	1x		1x							
13	Hexagonal Nylon Nut, M10-1.5	2x									2x
14	Hexagonal Nylon Nut, M6-1.0	2x		2x							
15	Hexagonal Nylon Nut, M8-1.25	3x			1x						2x
16	Hexagonal Nylon Nut, M12-1.75	2x									2x
17	Lock Washer, M6	1x		1x							
18	Socket Head Cap Screw, M8-1.25 X 60mm	1x			1x						
19	Socket Head Cap Screw, M6-1 X 18mm	1x		1x							
20	Pivot Sleeve	2x									2x
21	Tension Spring	2x					2x	2x			
22	Kickstand Spring	1x		1x							
23	"R" Pin Short	1x					1x	1x			
24	Impact Stopper	1x			1x						
25	4 Position Bloc	2x									2x
26	Trip Spring	2x								2x	
27	Trip Stopper	2x			2x	2x					
28	Clevis Pin, Ø8mm X 45mm	1x					1x	1x			
30	Angle Lever	1x					1x				
31	Angling Outer Tube	1x					1x				
32	Slide Bar	1x					1x				
33	Shear Pin	1x	1x				1x	1x			
34	Pin (Mid-Size)	1x					1x	1x			

Spare Kits											
Ref	Description	Plow Kit (2880260)	Shear Pin Kit (2205527)	Kickstand Kit (2205534)	Bumper Kit (2205529)	Plow Pivot Kit (2205530)	Angle Selector Kit (2205528)	Pins Kit (2205526)	Angle Pin Kit (2205068)	Plow Spring Kit (2205382)	Blade Parts Kit (2205380)
35	Rubber Stopper	1x			1x		1x				
36	Cap	1x		1x	1x						
37	Pivot	1x				1x					
38	Kickstand Shoe	1x		1x							
39	Pedal	1x		1x							
40	Compression Spring	1x		1x							
41	Pedal Support	1x		1x							
42	J Rod	1x		1x							
43	Handle	1x					1x	1x			
44	Eye Bolt, M8-1.25X 70	2x									2x
45	Jam Nut	1x		1x							
	Instructions (P/N 9925213)	1x									

TOOLS NEEDED

13 mm, 15 mm, 17 mm and 19 mm Wrenches and Sockets

Long Nose Pliers

APPROXIMATE ASSEMBLY TIME

30 mins.

IMPORTANT

Your Polaris GLACIER PRO MID SIZE PUSH FRAME KIT is exclusively designed for your vehicle. Please read the installation instructions thoroughly before beginning. Installation is easier if the vehicle is clean and free of debris. For your safety, and to ensure a satisfactory installation, perform all installation steps correctly in the sequence shown.

Read and understand the following operating instructions to avoid severe personal injury or death. Compliance with these measures will also ensure that your snow plow will give you many years of good use.

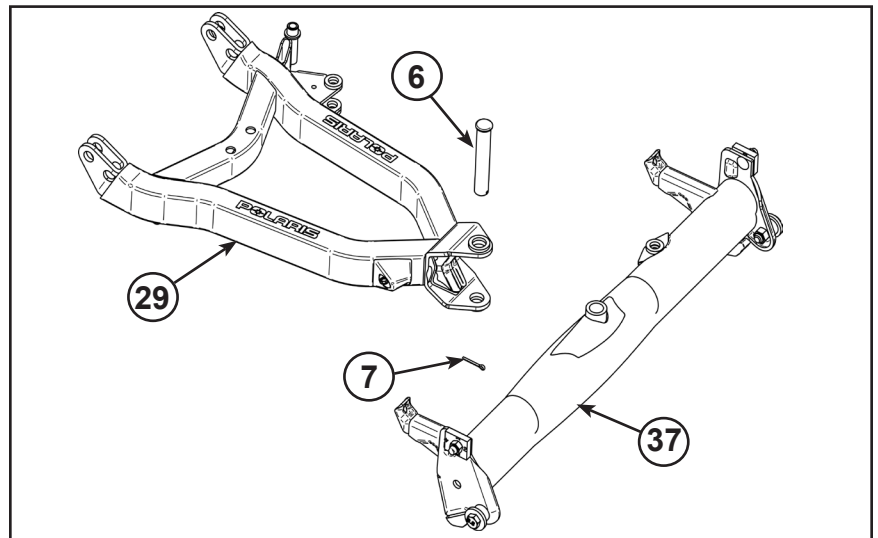
1. Re-torque all bolts and nuts after the first 30 minutes of use.
2. Do not exceed 5 mp/h (8 km/h) with blade installed.
3. Operate with extreme caution on slopes, grades and rough terrain.
4. Keep bystanders away from blade and ATV while in motion.
5. Do not allow riders on the blade or ATV when plowing.
6. When plowing snow or dirt into a pile, start backing up before raising the blade.
7. Do not ram the blade into the pile "Slow down before hitting a pile".
8. Beware of possible hidden objects under snow.
9. Read blade Owner's Manual, ATV Operator's Manual, and Safety Decals prior to operation.
10. Always wear appropriate protective clothing as recommended in your ATV Operator's Manual.
11. Before adjusting blade angle: stop ATV engine, set and lock brakes, raise blade with the winch. Do not attempt to raise the blade by hand.
12. Lower the blade to the down position when blade and ATV are not in use.
13. Polaris recommends to remove the blade and plow frame before trail riding.

INSTALLATION INSTRUCTIONS

IMPORTANT: The use of a Pro HD 4500 lb. winch or a Polaris winch with the combination of Pro HD auto-stop and synthetic winch rope are recommended for use with this plow system to prevent premature failure of the winch cable. The winch should be installed on the unit prior to installing this kit.

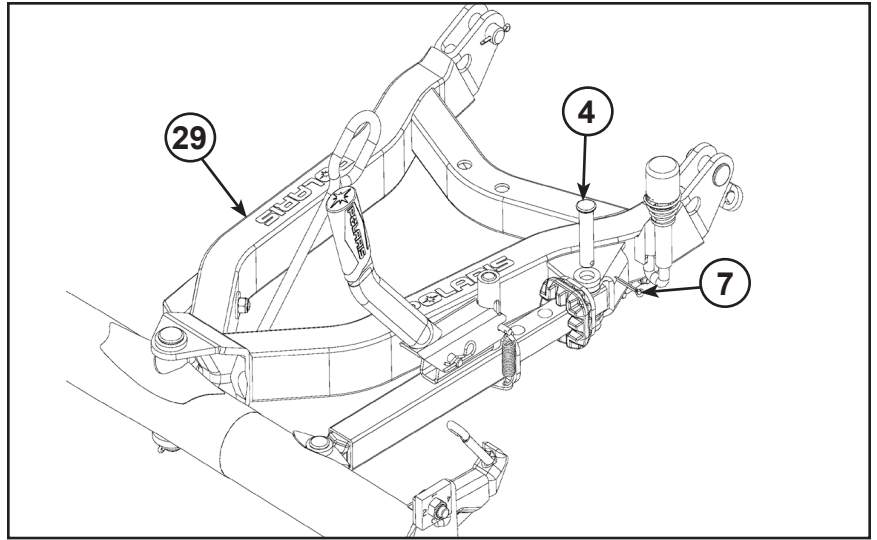
PIVOT ASSEMBLY:

1. Position the main frame (29) to the center of the plow pivot (37). Insert clevis pin (6) of the plow pivot at the top.
2. Insert the cotter pin $\varnothing 3 \times 25$ mm (7) and fold both ends so that it cannot be removed.

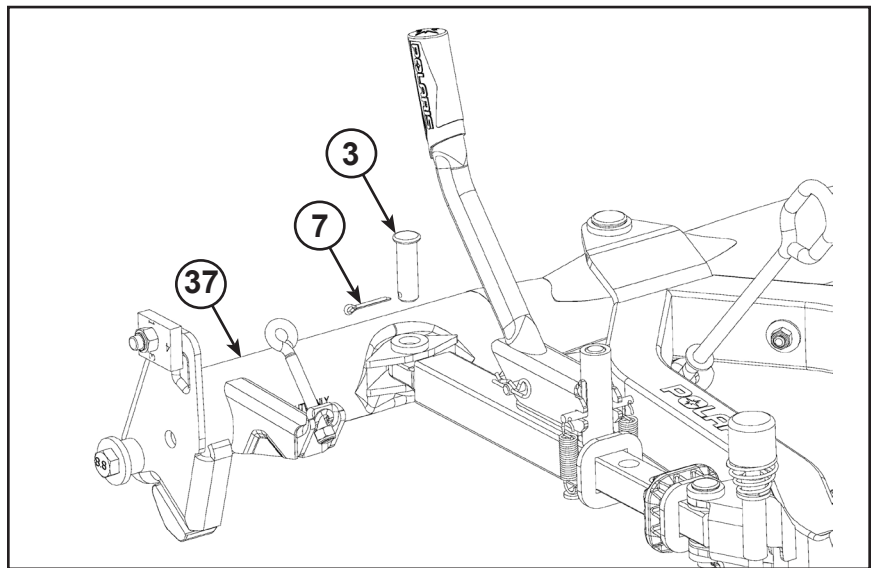


MANUAL ANGLE MECHANISM ASSEMBLY:

1. Position the rear pivot of the manual angle mechanism in the main plow frame bracket (29) as indicated in the figure. Align the holes and install the 14mm x 60mm clevis pin (4) to secure the parts in place.
2. Insert the cotter pin (7) and fold both ends so that it cannot be removed.



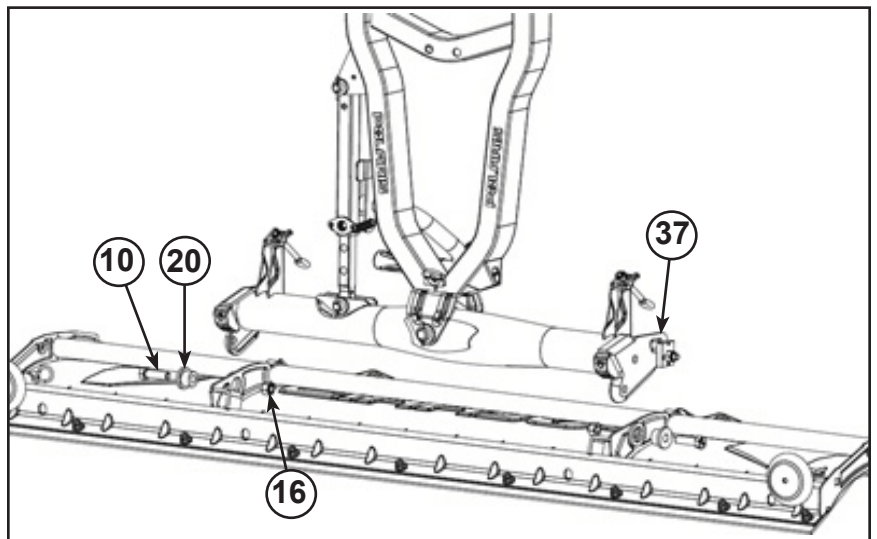
3. Position the front pivot of the manual angle mechanism in the plow pivot bracket (37) as indicated in the figure. Align the holes and install the 14mm x 45mm clevis pin (3) to secure the parts in place.
4. Insert the cotter pin (7) and fold both ends so that it cannot be removed.



PLOW ASSEMBLY INSTRUCTIONS:

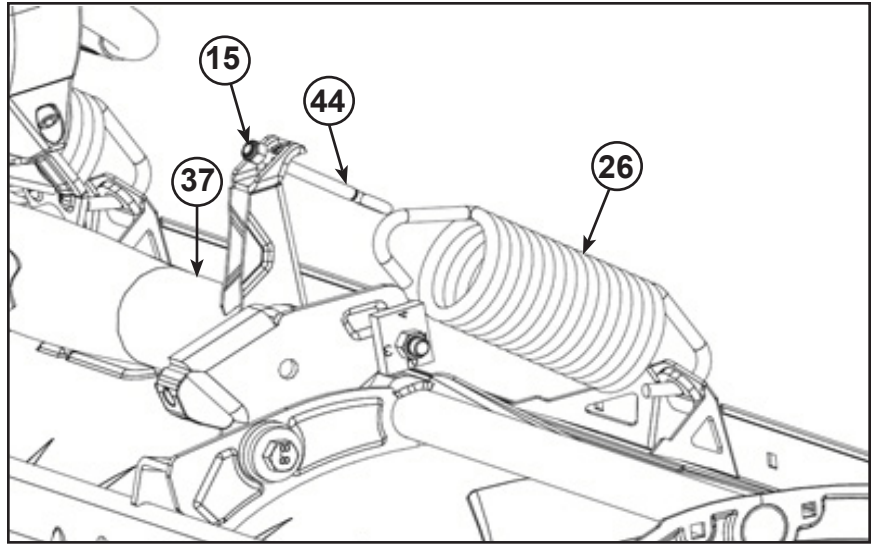
Assembly of the Plow to the Pivot:

1. Place the plow on the ground with the rear of the blade facing up. Take care to lay the blade on a clean surface to avoid damaging the blade during installation. Use the blade packaging to protect the blade during this step if possible.
2. Align the mounting holes in the plow pivot (37) with the mounting holes in the blade as indicated in the illustration.
3. Install the two flange sleeves (20) into the holes of the plow with the two M12-1.75 x 40 mm hex. bolts (10) and tighten the M12-1.75 self-locking nuts (16).



- Hook one end of a plow spring (26) to plow upper holes and fix the other end to the plow pivot (37) using two M8 eye bolts (44) and two M8-1.25 self-locking nuts (15).

NOTE: The plow is designed to trip forward when it hits a solid object. When the pressure on the plow is released, it will return to its original position by itself. The plow springs (26) may be set stiffer by tightening the self-locking nuts (15) located at the ends of the eye bolts (44). For less tension, loosen the self-locking nuts (15).

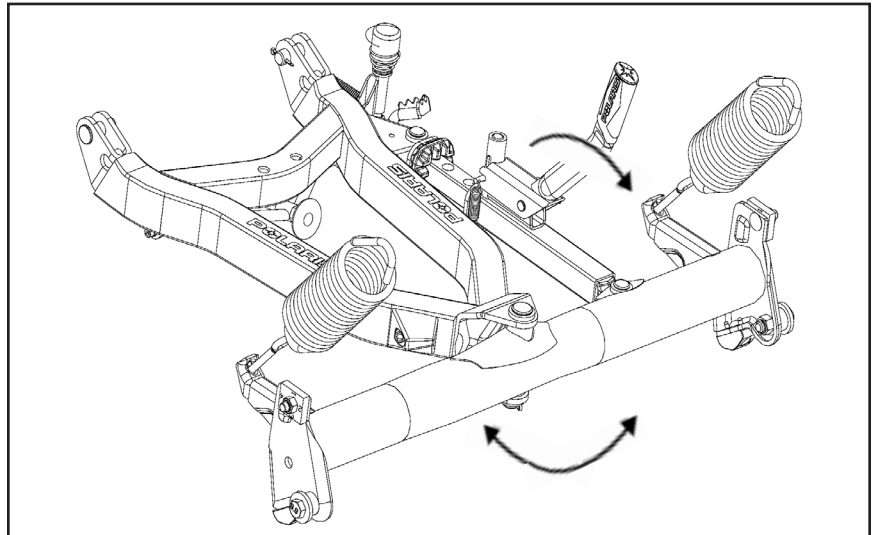


PLOW OPERATION INSTRUCTIONS:

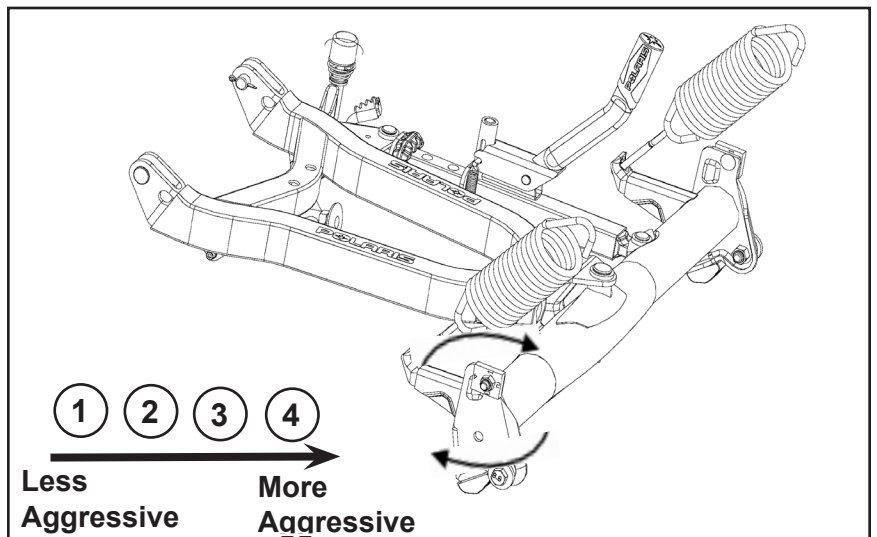
NOTE: Frame installation requires a mount plate kit specific to your vehicle. Refer to the instructions provided with the mount plate kit for installation on the frame.

OPERATION:

- To adjust the angle of the plow so it levels or pushes to the side, lift the plow up with the winch to clear the ground. Pull the angle lever forward and pivot the plow to the desired angle. Release the angle lever and the plow will lock itself in place at a predetermined angle on either side.



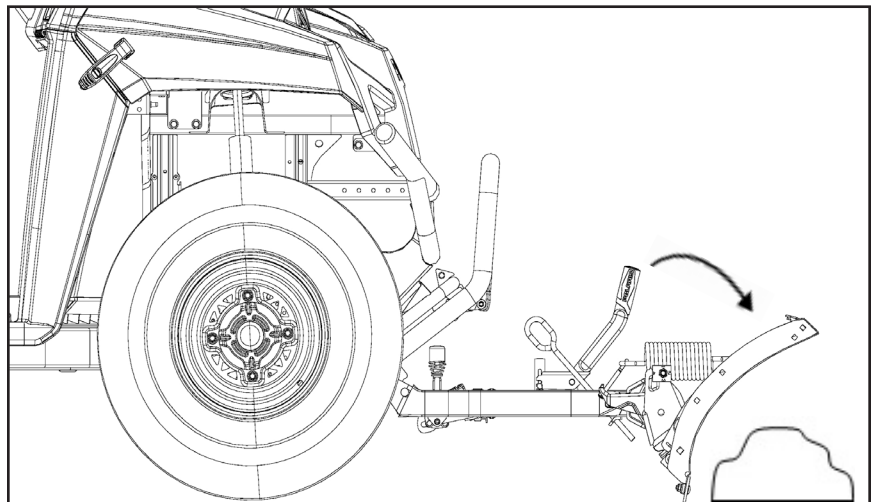
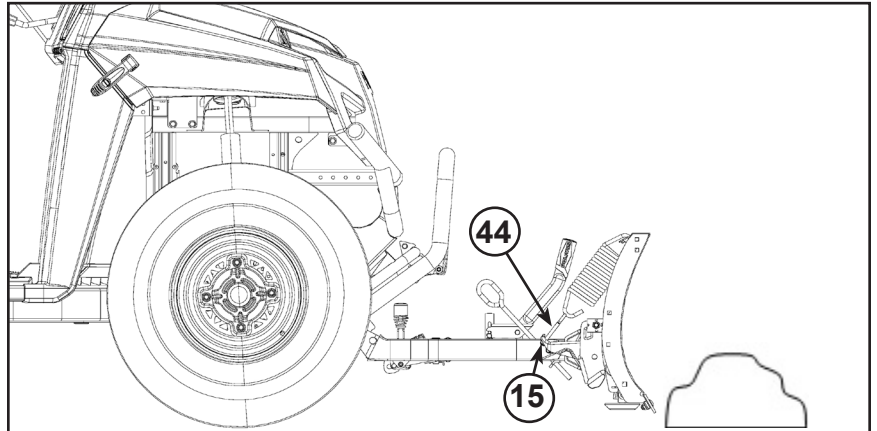
- The plow stop blocks can be used to make the plow more or less aggressive. Refer to the figure to choose the correct setting for your plowing application. Follow the below steps to adjust the stop blocks to the desired setting.



- a. Loosen the plow spring preload so there is no tension against the plow stops.
- b. Loosen the plow stop retention nuts and rotate the stops to the desired setting. The stop sides are numbered 1 through 4 for easy identification. Make sure both the left and right stops are set to the same setting.
- c. Tighten the plow stop retention nuts to secure the stops in place.
- d. Tighten the plow springs to the desired setting.

CAUTION: Always loosen the plow spring tension prior to adjusting the plow stop blocks to avoid injury.

3. The plow is designed to trip forward when it hits a solid object. When the pressure on the plow is released, it will return to its original position by itself. The plow springs may be set stiffer by tightening the self-locking nuts (15) located at the ends of the eye bolts (44). For less tension, loosen the nuts.

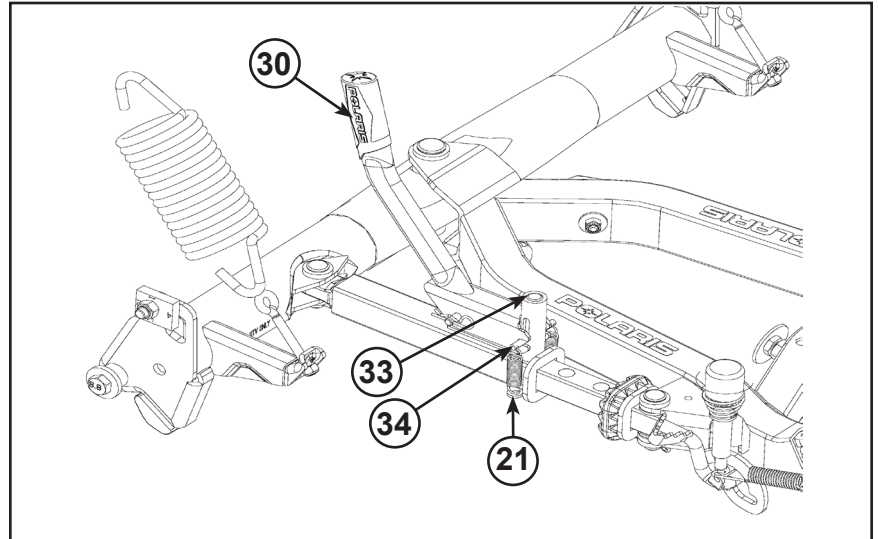


In the event of a collision with an obstacle at a speed greater than that recommended for the system, the shear pin (33) of the manual angle mechanism will break to minimize the force of impact in the frame.

If the shear pin (33) is broken, inspect the plow system for damaged parts. If any part is damaged, the impact velocity was greater than what the system is designed to support. You must then buy a replacement part from your dealer.

If only the shear pin (33) is broken, follow these steps to change the side of the pin (the pin has two identical ends):

1. Using a long nose pliers, remove the two tension springs (21) and then remove the pin (34) retaining the angle lever (30).
2. Remove the half-broken shear pin (33) and reinsert it upside down. You can get a new spare pin (PN 2205527) from your dealer.
3. Align the hole in the shear pin (33) with the slot in the angle lever (30) and insert the pin (34) securing the parts in place.
4. Use a long nose pliers to reinstall the two tension springs (21) completing the assembly.

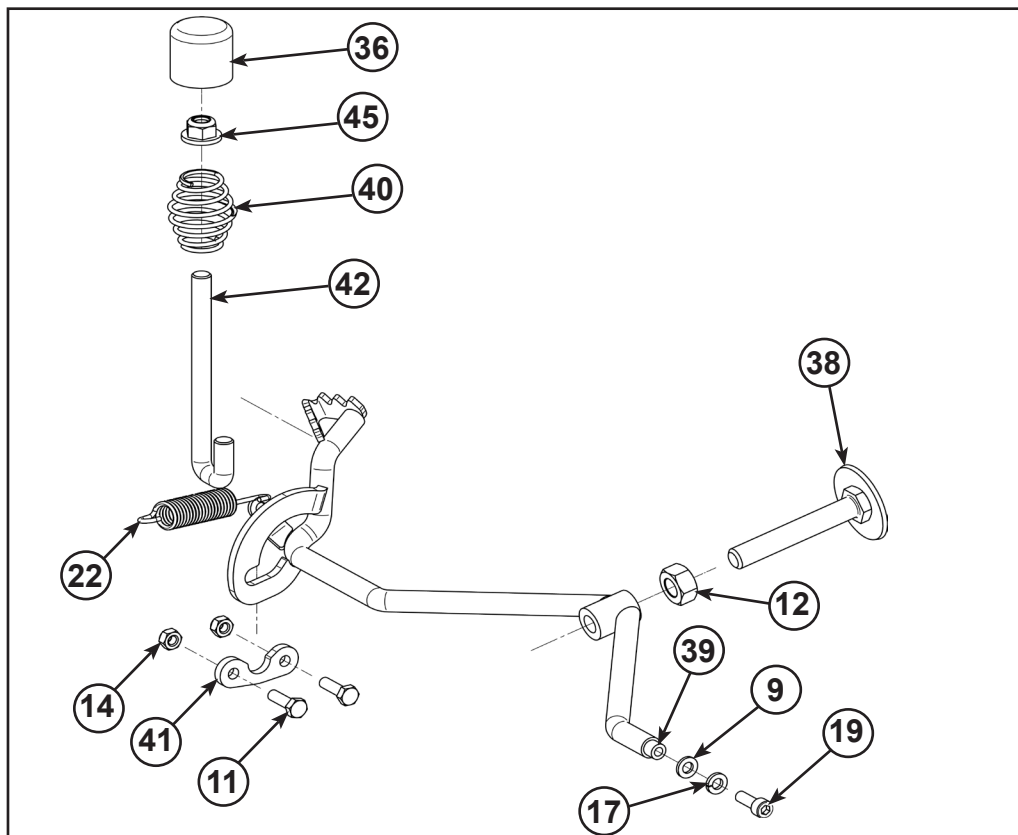


NOTE: The shear pin (33) is designed only to protect against the impacts affecting right and left ends of the plow. The pin does not protect the system from a central impact.

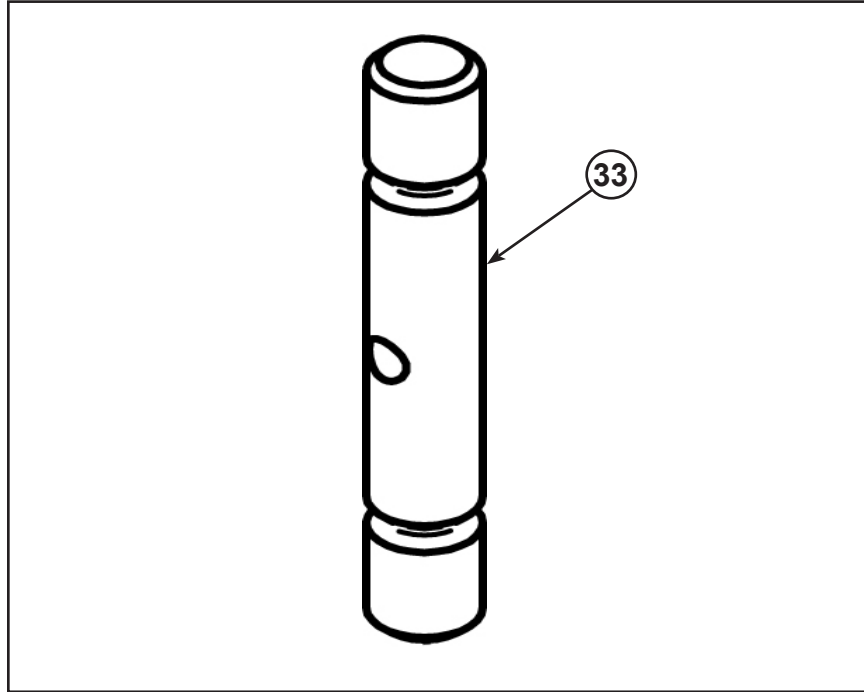
IMPORTANT: Always inspect the entire plow system after a shear pin has failed to ensure no other components were damaged by the impact.

See table on page 2 and 3 for complete part description.

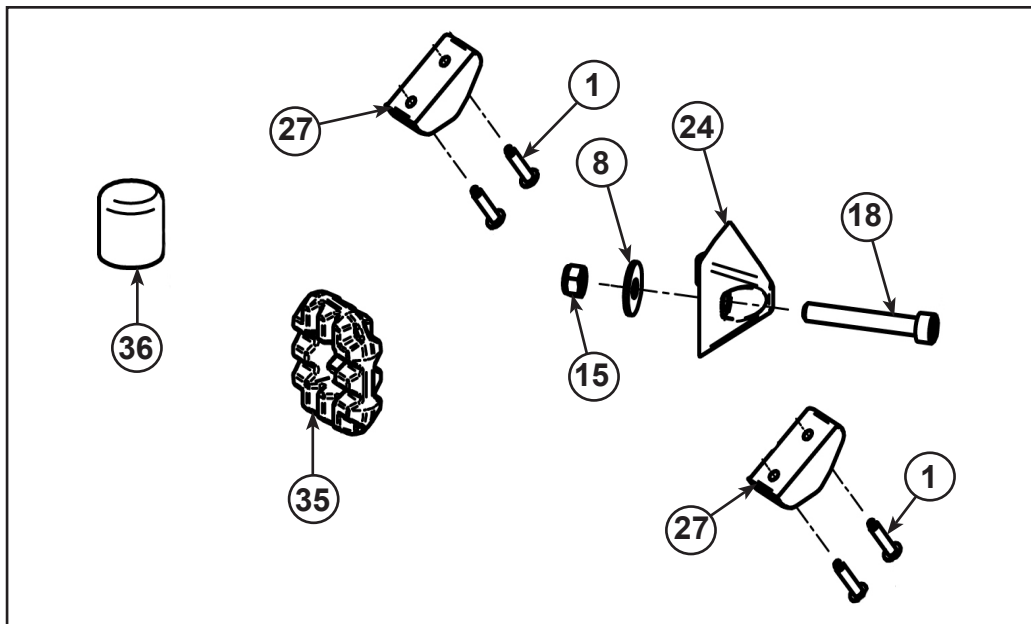
Kickstand Kit (2205534)



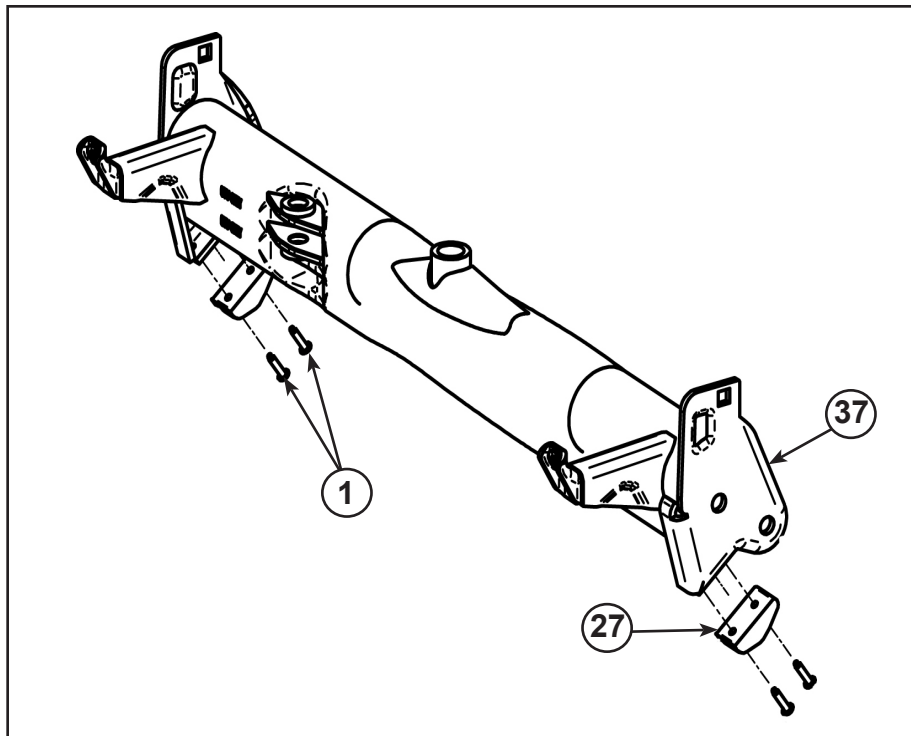
Shear Pin Kit
(2205527)



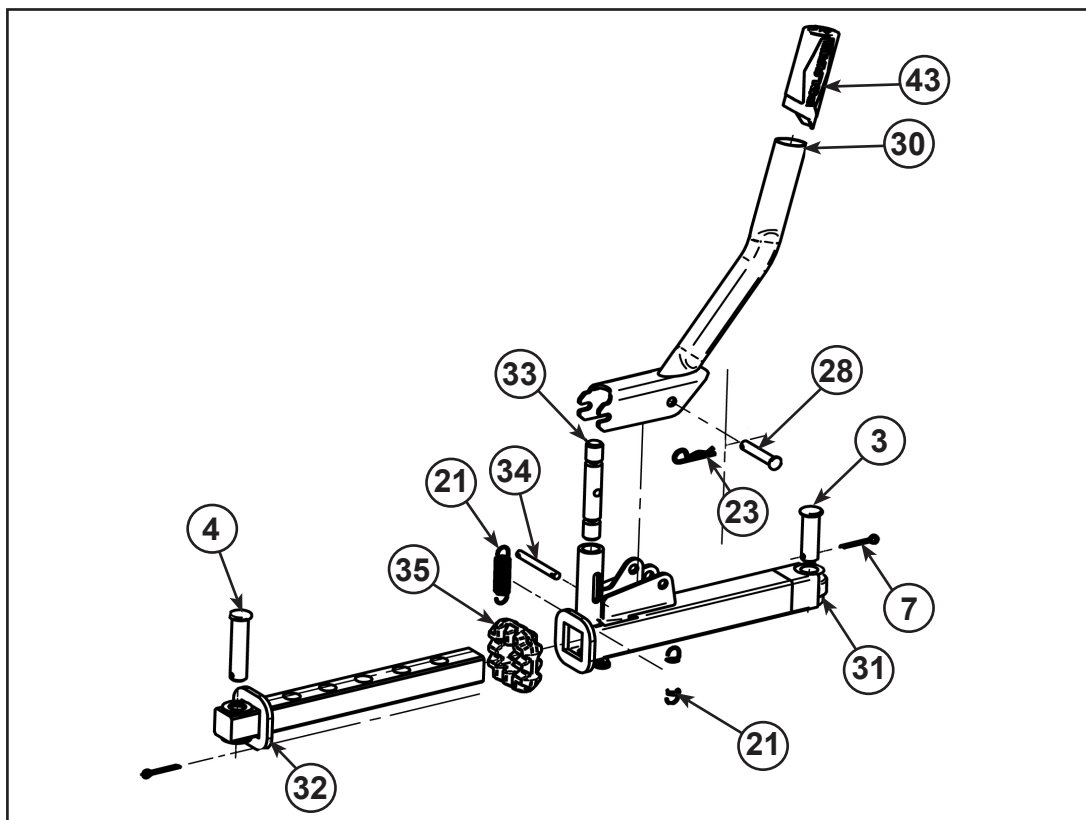
Bumper Kit
(2205529)



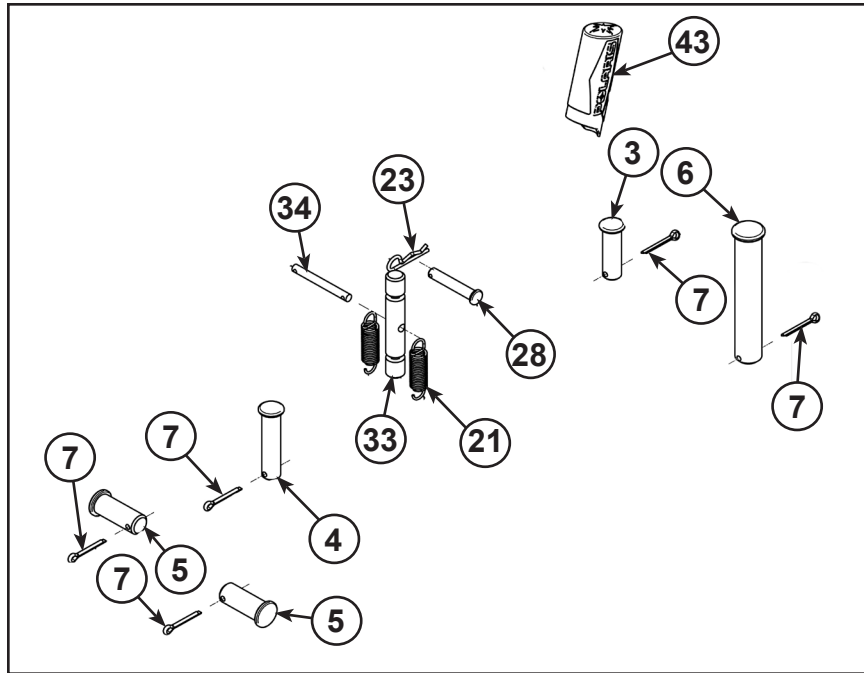
**Plow Pivot
Kit (2205530)**



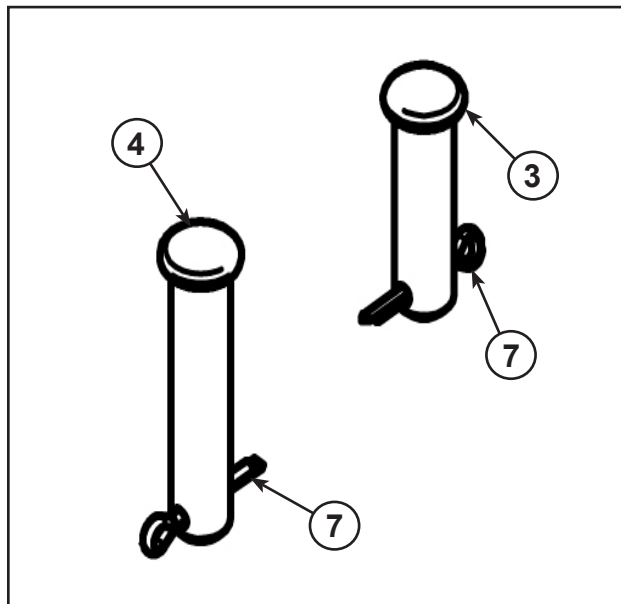
**Angle Selector
Kit (2205528)**



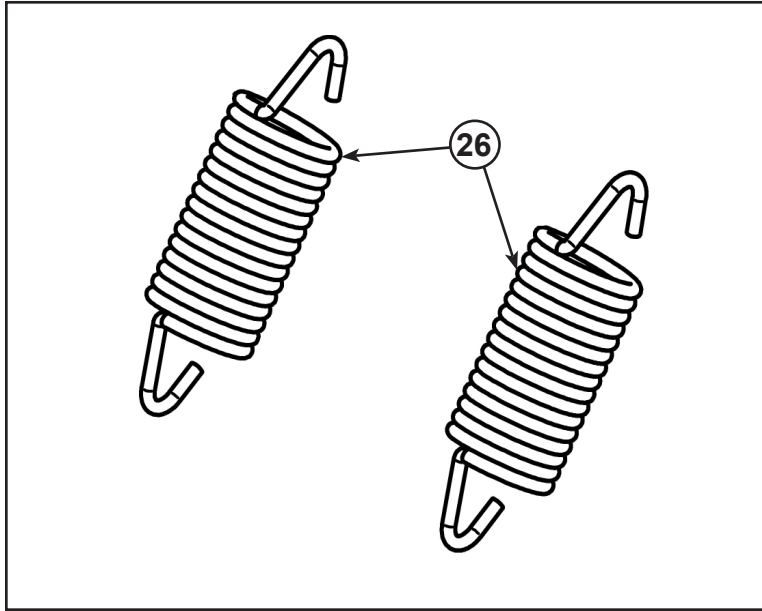
**Pins Kit
(2205526)**



**Angle Pin Kit
(2205068)**



Plow Spring
Kit (2205382)



Blade Parts
Kit (2205380)

