

GLACIER PRO PLOW FRAME EXTENSION KIT

P/N 2880267

POLARIS

ENGINEERED PARTS
ACCESSORIES & APPAREL

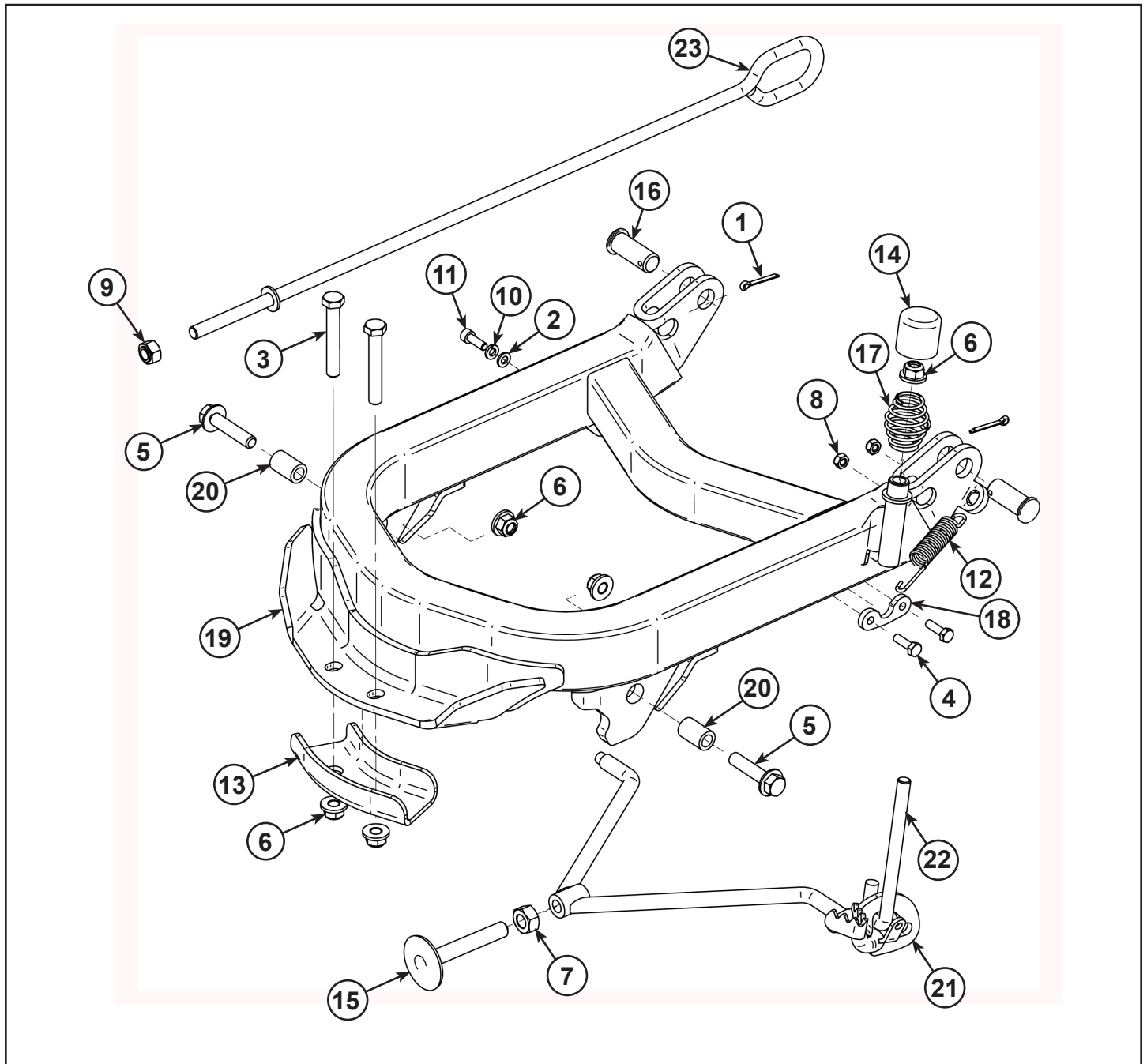
APPLICATION

FOR USE WITH THE GLACIER PRO MID SIZE PLOW FRAME (P/N 2880260)

NOTE: This extension kit is recommended when the prospector track system is installed on the unit.

BEFORE YOU BEGIN

Read these instructions thoroughly and make sure all parts and tools are accounted for. Please retain these installation instructions for future reference and parts ordering information.



Spare Kits				
Ref	Description	Plow Extension Kit (2880267)	Plow Extension Hardware Kit (2205547)	Winch Link Kit (2205542)
1	Cotter Pin-Ø3X25mm	2x	2x	
2	Flat Washer-M6 ID 6.4XOD 12X1.6	1x	1x	
3	Hexagonal Bolt-M10-1.5X65	2x	2x	
4	Hexagonal Bolt-M6-1.0X20	2x	2x	
5	Hexagonal Flange Bolt-M10-1.5X45	2x	2x	
6	Hexagonal Flange Nylon Nut-M10-1.5	5x	5x	
7	Hexagonal Nut-M12-1.75	1x	1x	
8	Hexagonal Nylon Nut-M6-1.0	2x	2x	
9	Hexagonal Nylon Nut-M10-1.5	1x		1x
10	Lock Washer-M6 ID 6.1XOD 11.8X1.6	1x	1x	
11	Socket Head Cap Screw-M6X1X18mm	1x	1x	
12	Kickstand Spring	1x	1x	
13	Extension Clamp	1x	1x	
14	Cap	1x	1x	
15	Kickstand Shoe	1x	1x	
16	Clevis Pin-Ø16mmX40mm	2x	2x	
17	Compression Spring	1x	1x	
18	Pedal Support	1x	1x	
19	Extension Welded Frame	1x		
20	Extension Sleeve	2x	2x	
21	Extension Kickstand	1x	1x	
22	J Rod	1x	1x	
23	Extension Winch Link, Mid-Size	1x		1x
	Instructions (P/N 9925220)	1x		

TOOLS NEEDED

15mm and 17mm Sockets and Wrenches, Long Nose Pliers

APPROXIMATE ASSEMBLY TIME

30 mins.

IMPORTANT

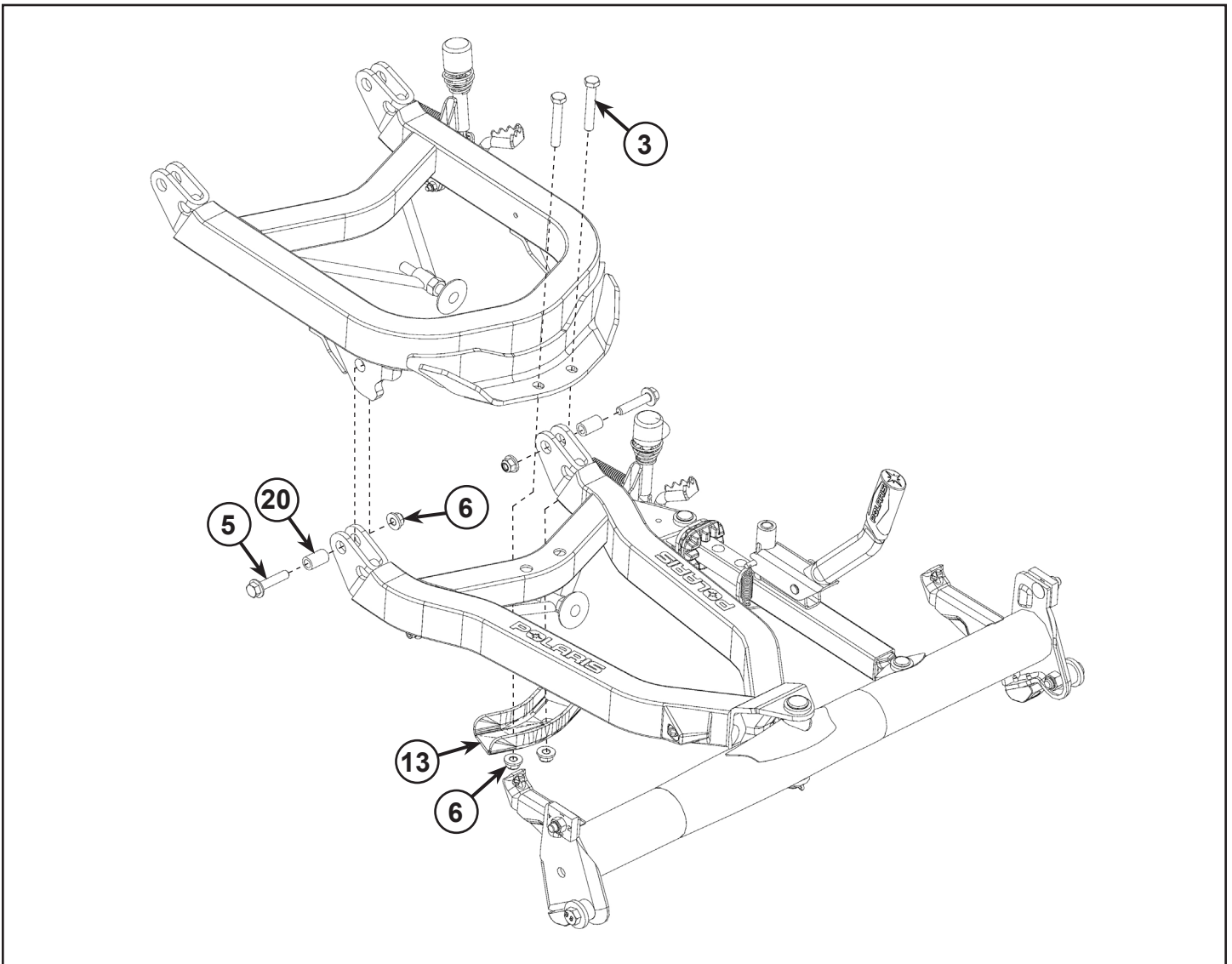
Your Polaris GLACIER PRO PLOW FRAME EXTENSION KIT is exclusively designed to work with the Mid-Size Glacier Pro Plow system (P/N 2880260) for your vehicle. Please read the installation instructions thoroughly before beginning. Installation is easier if the plow system is clean and free of debris. For your safety, and to ensure a satisfactory installation, perform all installation steps correctly in the sequence shown.

INSTALLATION INSTRUCTIONS

IMPORTANT: Polaris winch must be installed first. It is strongly suggested that your UTV suspension setup is at the stiffest rating for the front suspension

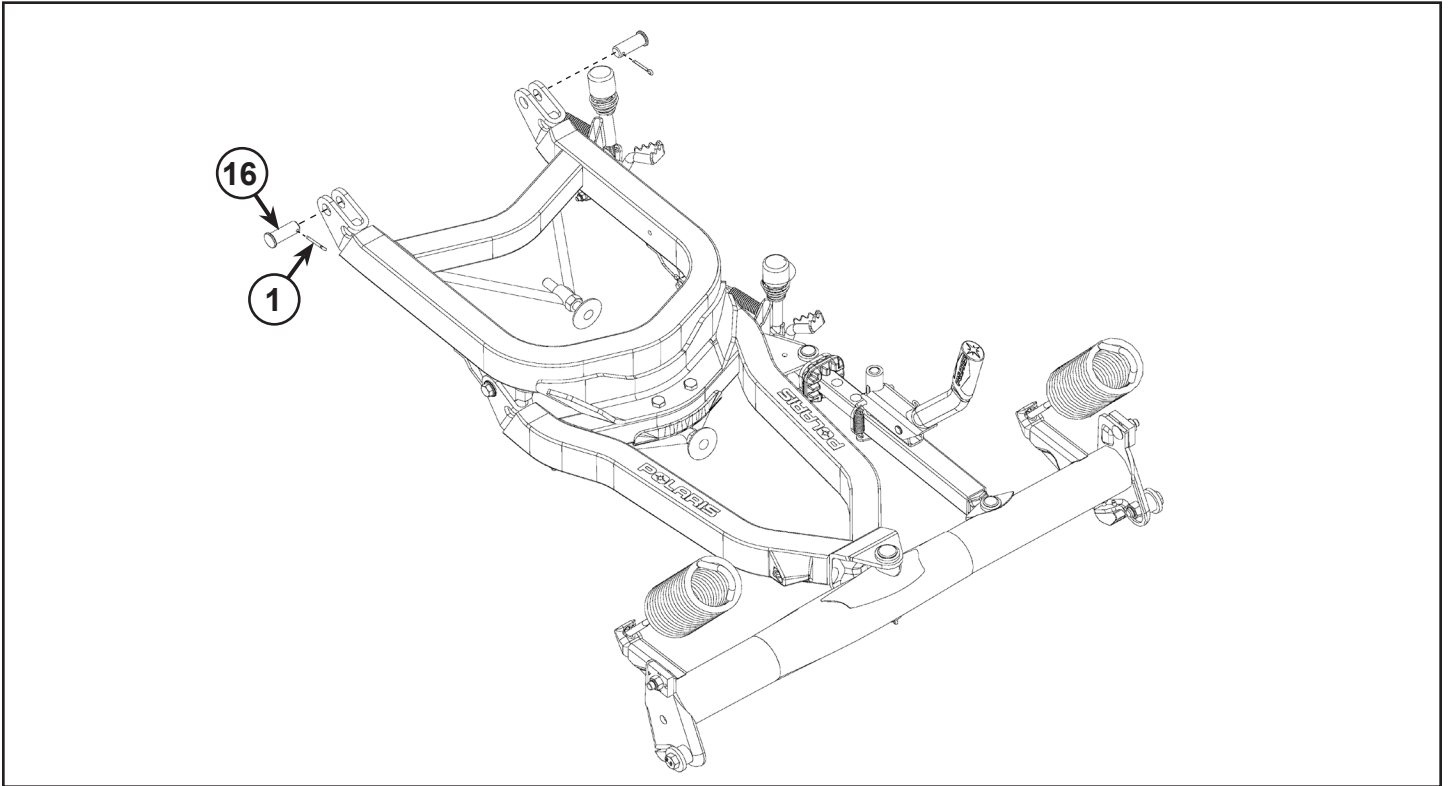
PUSHFRAME EXTENSION:

1. Position pushframe (P/N 2880260) under the extension as shown on figure below. Insert two frame sleeves (20) inside the rear mounting holes of the frame. Fasten the extension using hexagonal flange bolts M10-1.5 x 45mm (5) and hexagonal nylon nuts M10-1.5 (6).
2. Position and fasten extension clamp (13) using hexagonal bolts M10-1.5 x 65mm (3) and hexagonal flange nylon nuts M10-1.5 (6).



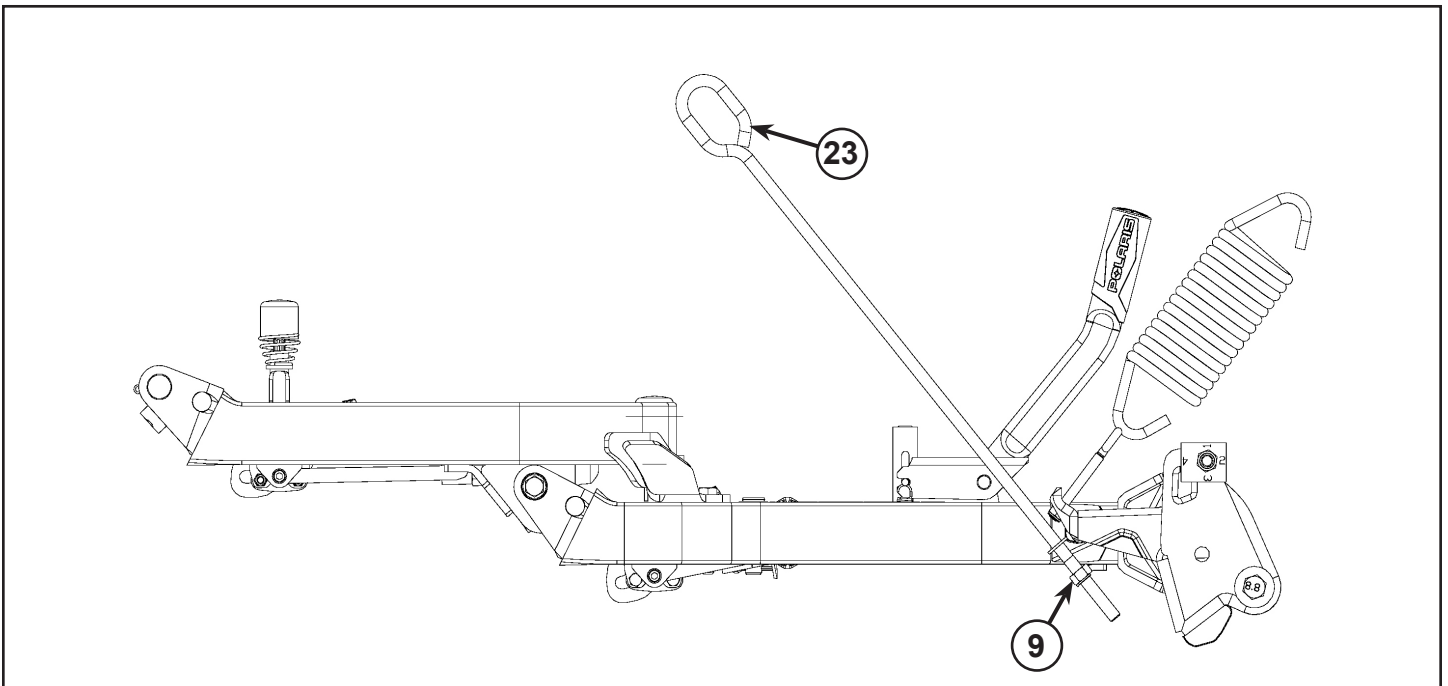
HOOK-UP EXTENSION ASSEMBLY:

Refer to the mount plate installation guide for complete details.



WINCH LINK ASSEMBLY:

Change the winch link for the new longer winch link (23) and new nylon nut (9) supplied with the extension kit. Refer to the mount plate installation guide for the correct link adjustment procedure.

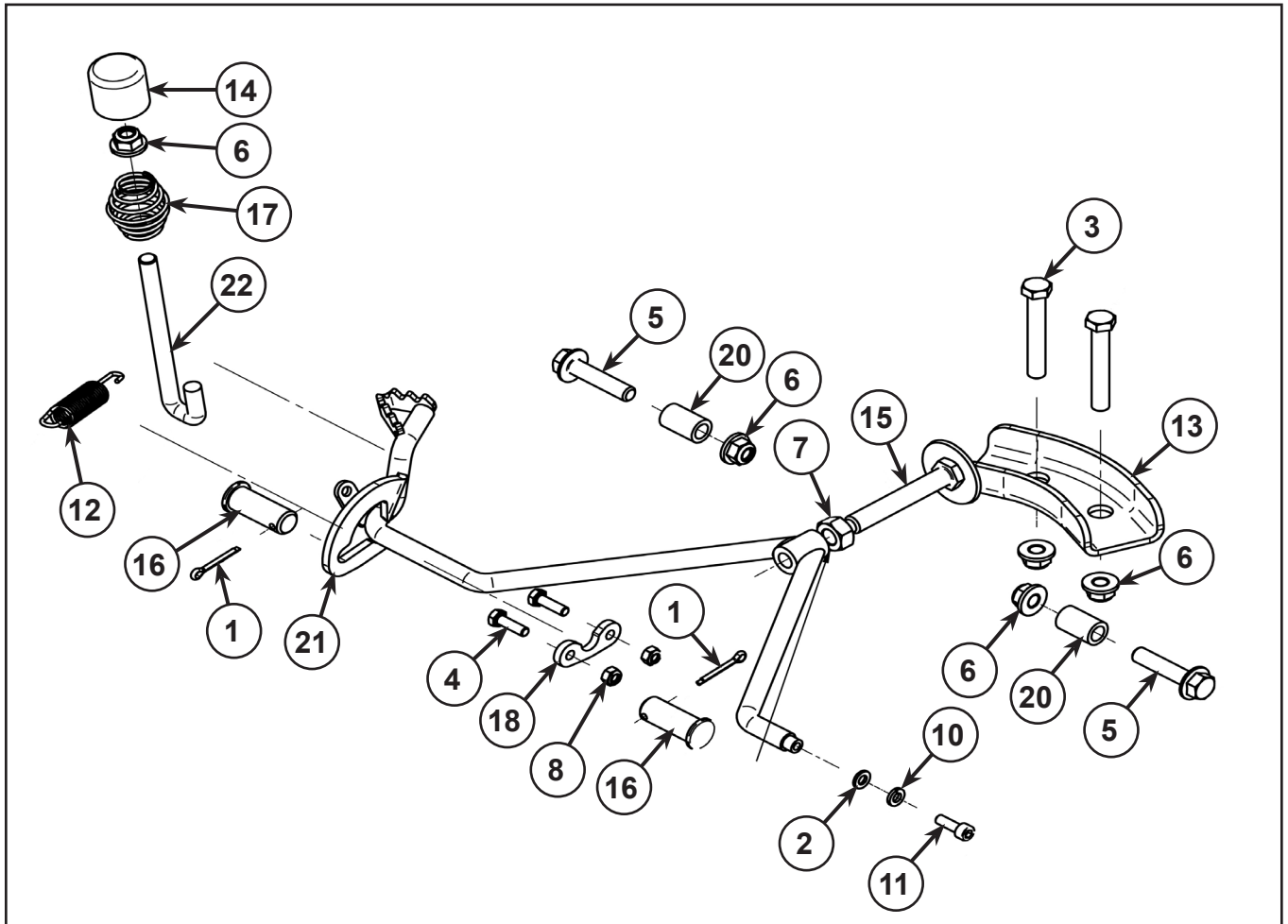


NOTE: Kickstand of pushframe is not used once the Extension is installed.

NOTE: Use procedure mentioned in mount plate kits concerning height adjustment of the kickstand and auto retract-stand adjustment for adjustment of extension kickstand.

See table on page 2 for a complete part description.

Hardware Kit (2205547)



Winch Link Kit (2205542)

