

GLACIER® PRO LITE PLOW MOUNT KIT



P/N 2883256

APPLICATION

Verify accessory fitment at Polaris.com.

BEFORE YOU BEGIN

Read these instructions and check to be sure all parts and tools are accounted for. Please retain these installation instructions for future reference and parts ordering information.

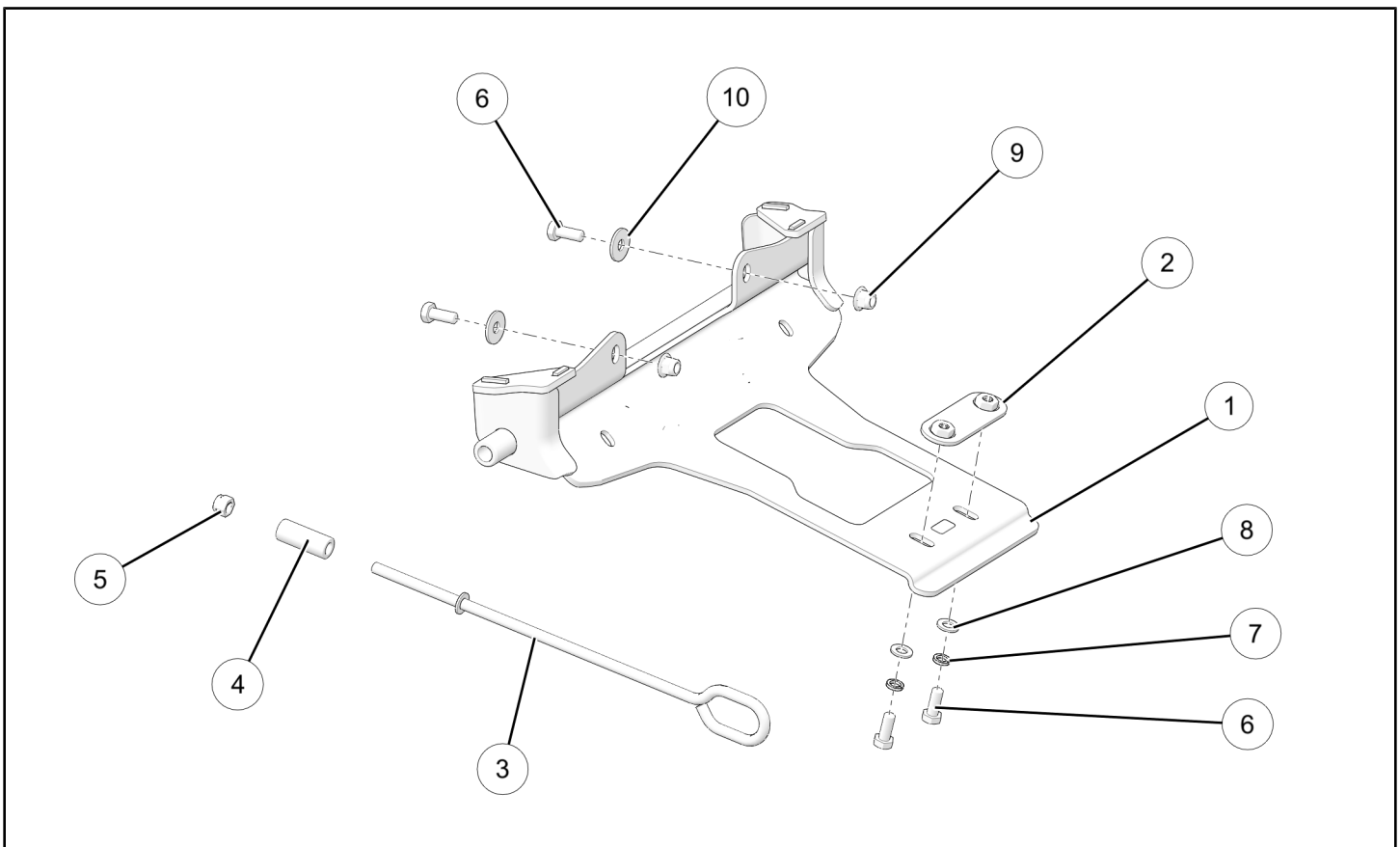
KIT CONTENTS

This kit contains parts for installation of the Glacier Pro Lite Plow Mount only. Full installation of this kit will require the following additional parts (sold separately):

- Polaris Winch System
- Polaris Plow Frame Kit
- Polaris Plow Blade

For details on the above mentioned parts see your **Authorized Polaris Dealer** or visit www.polaris.com.

This Kit includes:



REF	QTY	PART DESCRIPTION	PART NUMBER
1	1	Glacier Pro Lite Plow Mount Plate	1023822
2	1	Tightening Plate	*
3	1	Winch Link Rod	*

REF	QTY	PART DESCRIPTION	PART NUMBER
4	1	Spacer	*
5	1	Locking Nut	*
6	4	Hex Bolt, M10-1.5 X 25	*
7	2	Lock Washer	*
8	2	Flat Washer	*
9	2	Locking Nut, M10-1.5	*
	1	Instructions	9928555

Items marked (*) are included in Hardware Kit PN 2207442.

TOOLS REQUIRED

- Safety Glasses
- Socket Set, Metric
- Torque Wrench
- Wrench Set, Metric

IMPORTANT

Your GLACIER® PRO LITE PLOW MOUNT KIT is exclusively designed for your vehicle. Please read the installation instructions thoroughly before beginning. Installation is easier if the vehicle is clean and free of debris. For your safety, and to ensure a satisfactory installation, perform all installation steps correctly in the sequence shown.

ASSEMBLY TIME

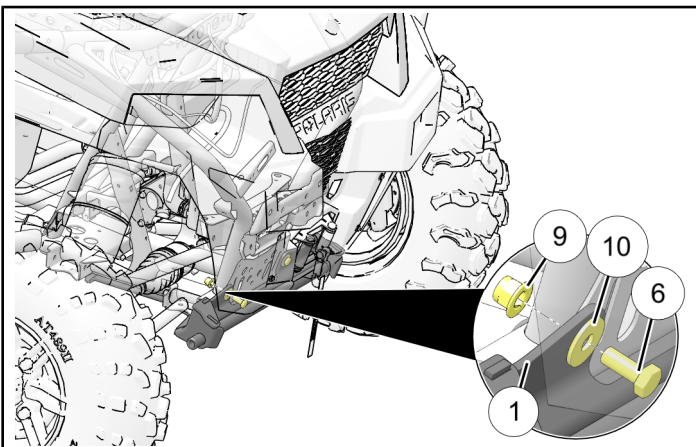
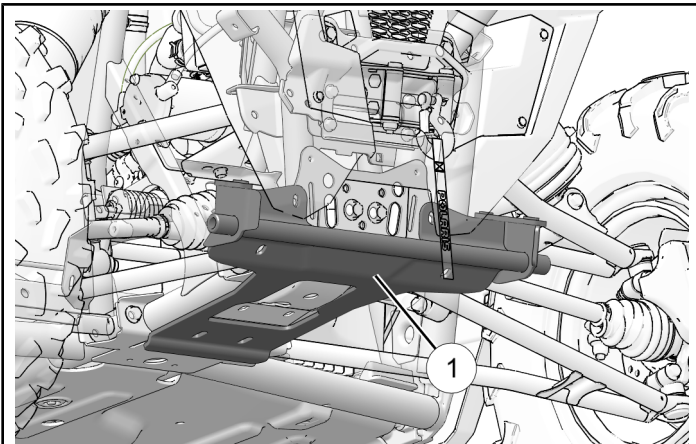
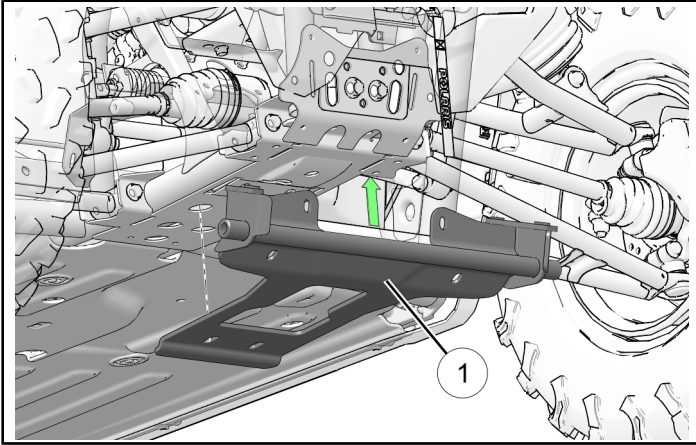
Approximately 18 minutes

NOTE

Additional time may be required for optional steps, or to accommodate other installed accessories.

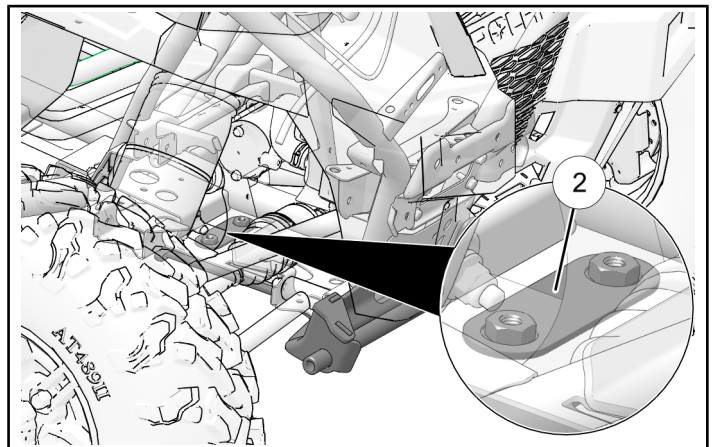
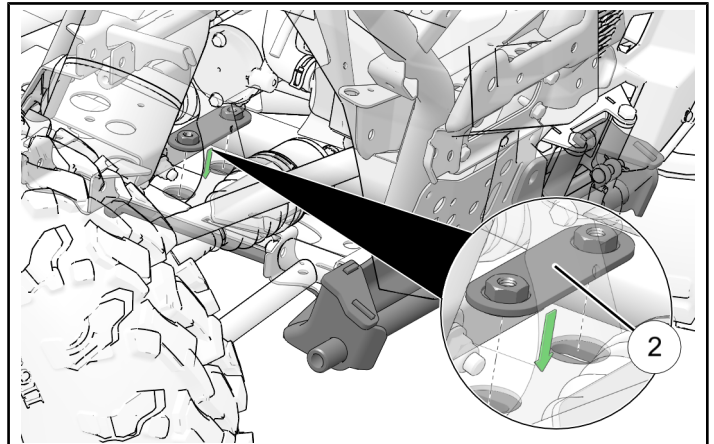
INSTALLATION INSTRUCTIONS

1. Shift vehicle transmission into "PARK". Turn key to "OFF" position and remove from vehicle.
2. Place plow mount plate ① into position and start both front fasteners by hand as shown.

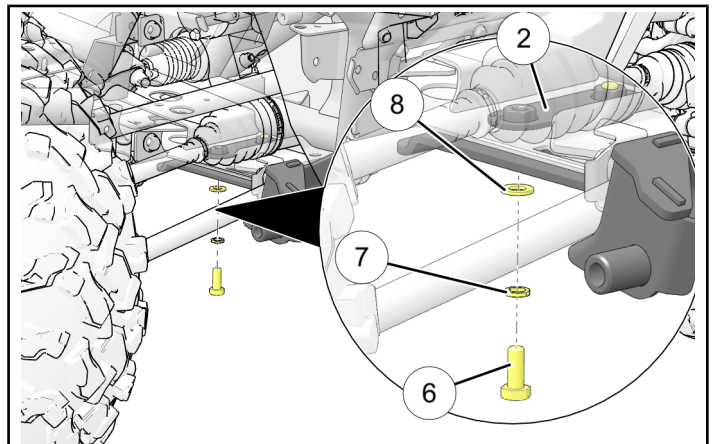


Be sure to place one of the large flat washers ⑩ on each front mounting bolt ⑥ then insert the bolts from the front through the mount plate and frame. Start the locking nut ⑨ by hand on the back side of each bolt to hold into place. **DO NOT TIGHTEN** at this time.

3. Next, place the tightening plate ② on top of the frame in the indicated position.



4. Lift rear of mounting plate ① up against the lower portion of the frame and start rear mounting bolts ⑥ being sure each bolt has a lock washer ⑦ and flat washer ⑧ as indicated.



5. Torque front fasteners ⑨ to specification provided.

TORQUE

22 ft. lbs. (29.8 Nm)

6. Torque rear fasteners ⑥ to specification listed.

TORQUE

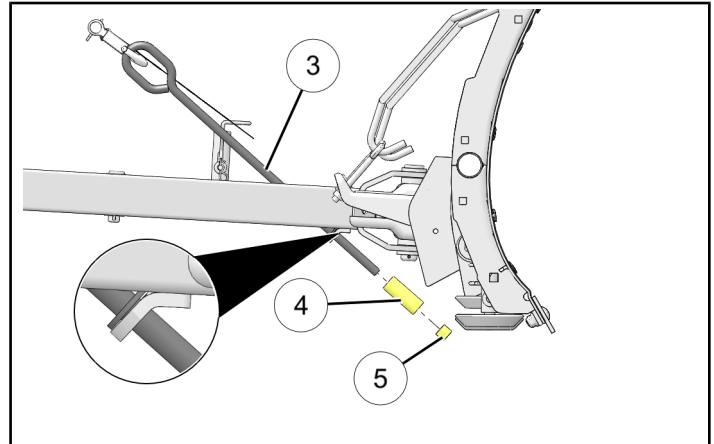
22 ft. lbs. (29.8 Nm)

7. Install winch link rod ③ as shown with spacer ④ on the bottom side of the plow frame bracket. Secure with lock nut ⑤. Torque to provided specification

Torque front fasteners ⑨ to specification listed.

TORQUE

22 ft. lbs. (29.8 Nm)



FEEDBACK FORM

A feedback form has been created for the installer to provide any comments, questions or concerns about the installation instructions. The form is viewable on mobile devices by scanning the QR code or by clicking [HERE](#) if viewing on a PC.

FEEDBACK FORM

