

# BED EXTENDER KIT



**P/N 2881547**

## APPLICATION

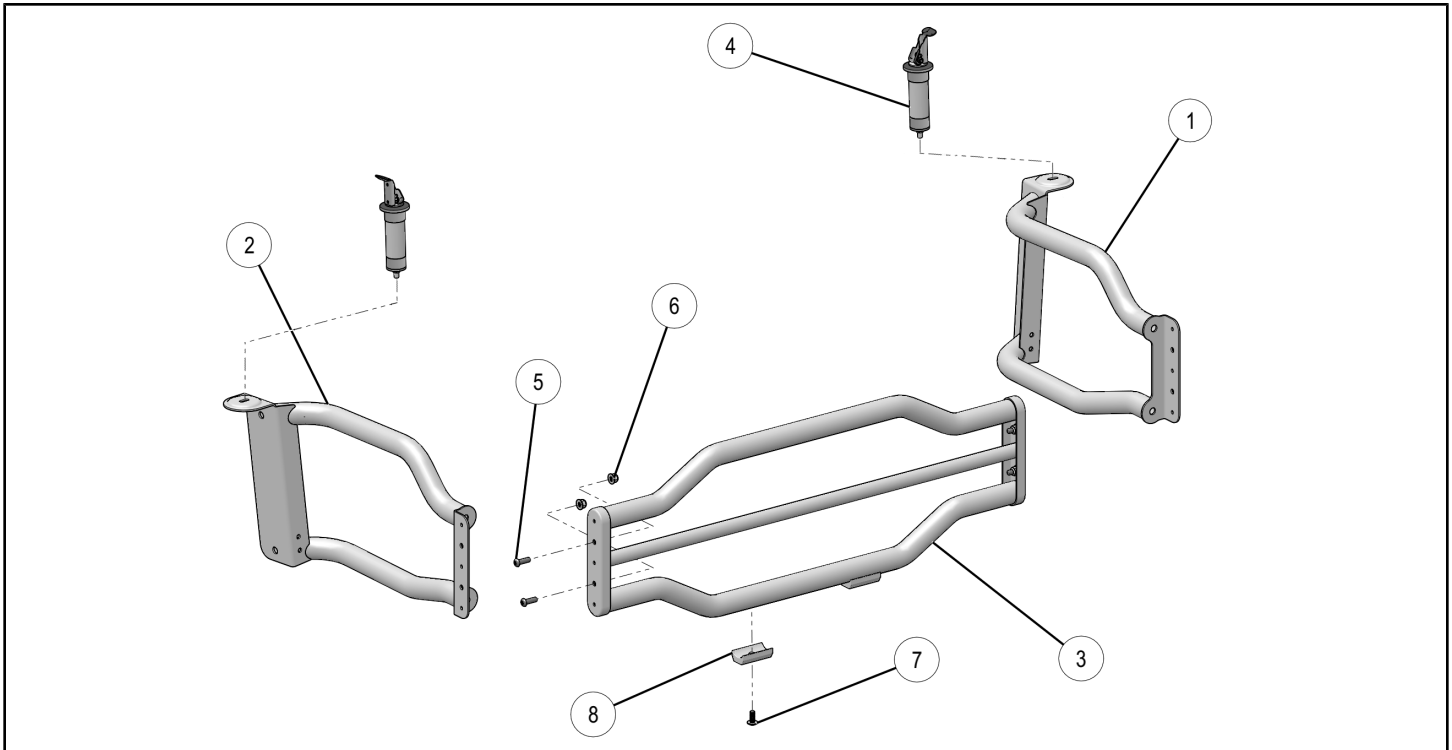
Verify accessory fitment at [Polaris.com](http://Polaris.com).

## BEFORE YOU BEGIN

Read these instructions and check to be sure all parts and tools are accounted for. Please retain these installation instructions for future reference and parts ordering information.

## KIT CONTENTS

This Kit includes:



REF	QTY	PART DESCRIPTION	PART NUMBER
1	1	Extender, RH	-
2	1	Extender, LH	-
3	1	Extender, Center	-
4	2	Lock & Ride® Expansion Anchor	7510047
5*	4	Bolt, Torx® Button Head - M8 X 1.25 X 25	-
6*	4	Nut, Hex Flange - M8 X 1.25	-
7*	2	Screw, Button Head - M8 X 1.25 X 20	-
8*	2	Skid Shoe	-
		Instructions	9926612

Items marked (\*) are included in Hardware Kit PN 2206162.

## TOOLS REQUIRED

- Safety Glasses
- Torx Driver Set
- Screwdriver, Phillips
- Wrench Set, Metric

## IMPORTANT

Your BED EXTENDER KIT is exclusively designed for your vehicle. Please read the installation instructions thoroughly before beginning. Installation is easier if the vehicle is clean and free of debris. For your safety, and to ensure a satisfactory installation, perform all installation steps correctly in the sequence shown.

## ASSEMBLY TIME

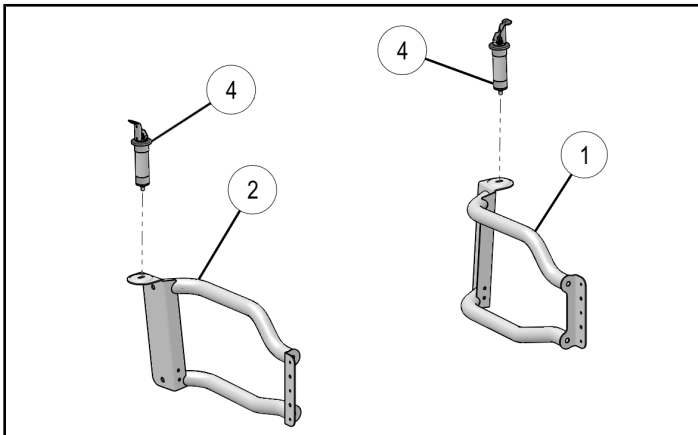
Approximately 15 minutes

## INSTALLATION INSTRUCTIONS

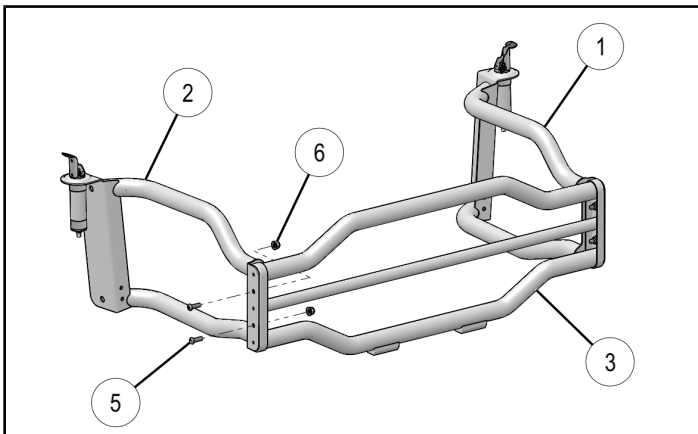
1. Place vehicle in "PARK". Turn key to "OFF" position and remove from vehicle.
2. Install LOCK & RIDE® expansion anchors ④ to RH and LH sections ① ② as shown.

### NOTE

Refer to instructions included with anchors.



3. Install RH and LH extenders ① ② to center extender ③ using two bolts ⑤ and nuts ⑥ per side as shown.



4. Lower assembled bed extender into vehicle until expansion anchors ④ are fully seated, then depress upper cams to lock in place. If installation is loose, remove extender assembly from vehicle, tighten nuts at base of expansion anchors, and reinstall.

### NOTE

Installation in bed extender position shown. Unit can also be rotated 180 degrees (with center section ③ against forward side of bed box) when not in use.

