

GLASS REAR PANEL KIT



P/N 2881113

APPLICATION

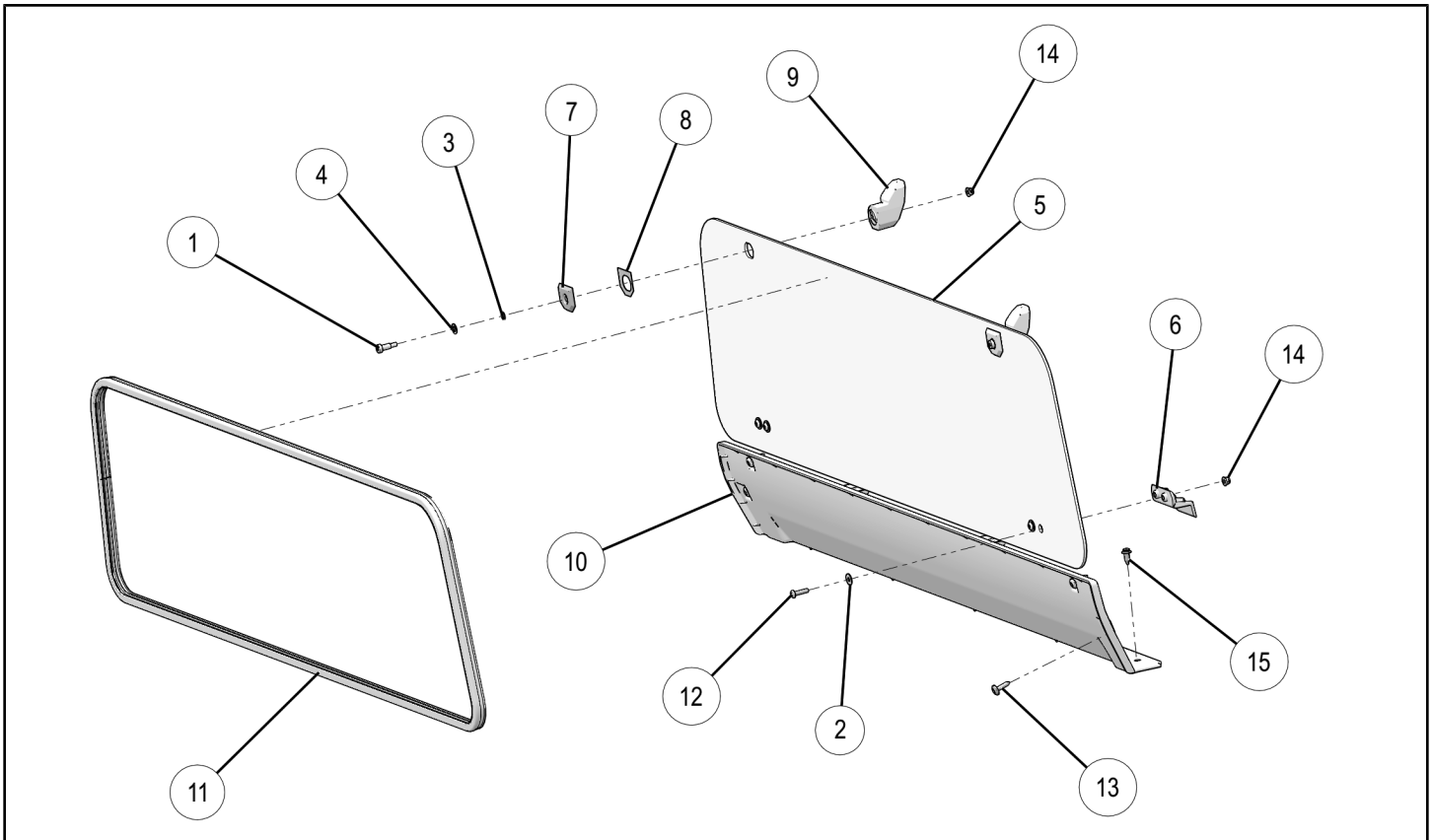
Verify accessory fitment at Polaris.com.

BEFORE YOU BEGIN

Read these instructions and check to be sure all parts and tools are accounted for. Please retain these installation instructions for future reference and parts ordering information.

KIT CONTENTS

This Kit includes:



REF	QTY	PART DESCRIPTION	PART NUMBER
1*	2	Bolt, Shoulder, M8 - 20, M6 X 1.0	-
2*	4	Washer - 6.4 X 18 X 1.4	-
3*	2	Washer, Wave - 8.13 X 12.7 X 0.635	-
4*	2	Washer - 8.40 X 16 X 0.8	-
5	1	Glass Rear Panel - Upper	2635943
6	2	Bracket, Mount	5439918
7	2	Base, Handle	5451486
8	2	Gasket	5451506

REF	QTY	PART DESCRIPTION	PART NUMBER
9	2	Handle	5452442
10	1	Glass Rear Panel - Lower	5452485
11	1	Seal	5522136
12*	4	Torx® Bolt - M6 X 1.0 X 25	7518535
13*	4	Torx® Screw - M6 X 1.0 X 25	7519650
14*	6	Nut, Hex Flange - M6 X 1.0	7547453
15*	5	Rivet, Plastic Push - 0.315–0.325 X 0.787	7661855
	1	Instructions	9926164

Items marked (*) are included in Hardware Kit PN 2205981.

TOOLS REQUIRED

- Safety Glasses
- Torx® Driver Set
- Drill
- Drill Bit, 5/16 inch

IMPORTANT

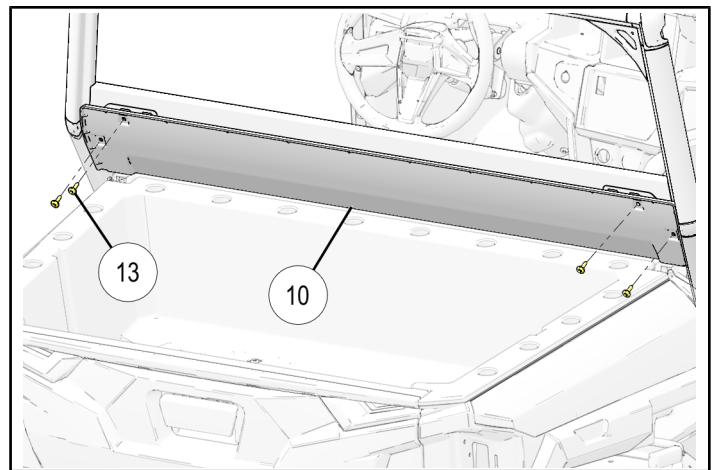
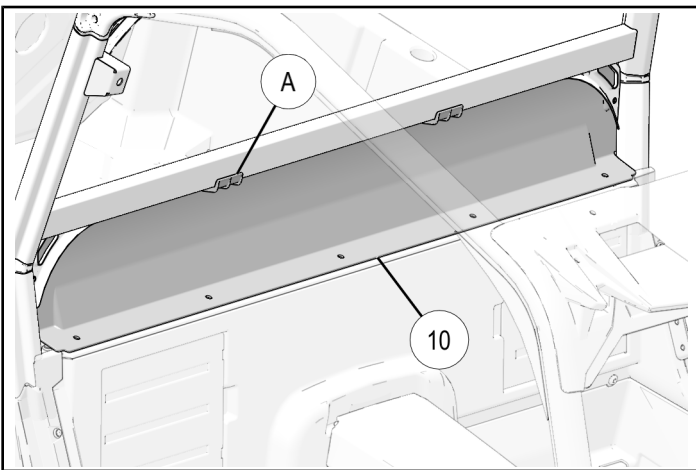
Your GLASS REAR PANEL KIT is exclusively designed for your vehicle. Please read the installation instructions thoroughly before beginning. Installation is easier if the vehicle is clean and free of debris. For your safety, and to ensure a satisfactory installation, perform all installation steps correctly in the sequence shown.

ASSEMBLY TIME

Approximately 10 minutes

INSTALLATION INSTRUCTIONS

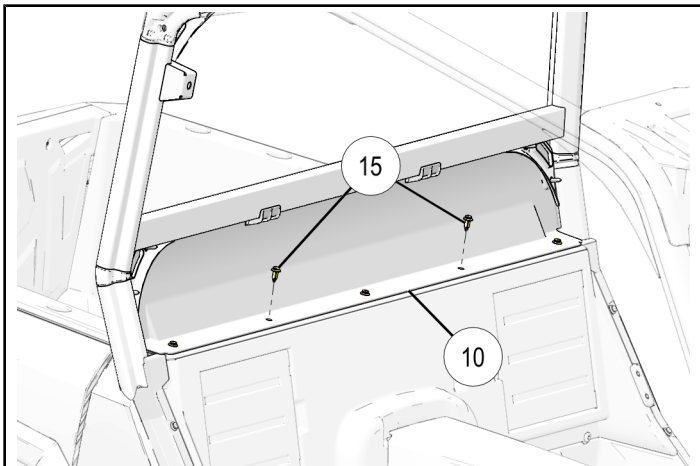
1. Place vehicle in "PARK". Turn key to "OFF" position and remove from vehicle.
2. **Install Lower Panel**
 - a. Install lower panel ⑩ by engaging upper brackets (A) on lower ROPS as shown.
 - b. Pivot lower panel ⑩ into ROPS, then install four screws ⑬ through panel into ROPS as shown.



- c. Using lower panel ⑩ as template, drill five 5/16 inch holes through upper rear close off panel. Install five plastic push rivets ⑮ through lower panel ⑩ and upper rear close off panel as shown.

IMPORTANT

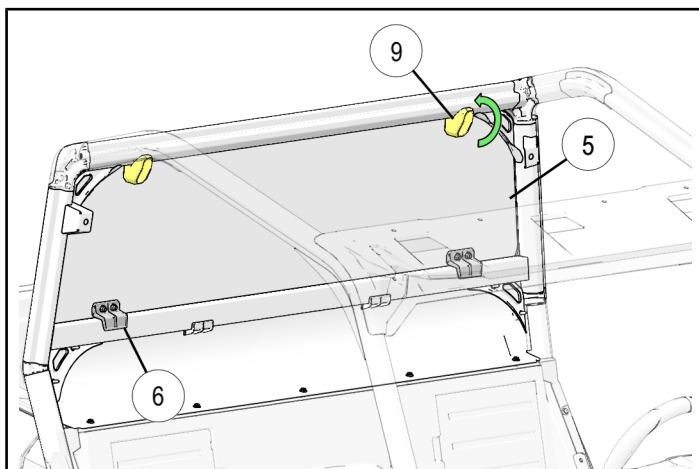
Control drill depth to prevent damage to underlying structure or components.



- b. Install upper panel ⑤ by engaging lower brackets ⑥ on lower ROPS as shown. Pivot panel into ROPS, then turn handles ⑨ to locked position (perpendicular to upper roof edge) as shown.

NOTE

Tighten bolts ① as required to achieve desired level of handle resistance.



3. Install Upper Panel

- a. Turn two handles ⑨ on upper panel ⑤ so they are in unlocked position (parallel with upper roof edge) as shown.

