

# GLASS REAR PANEL KIT



**P/N 2881113**

## APPLICATION

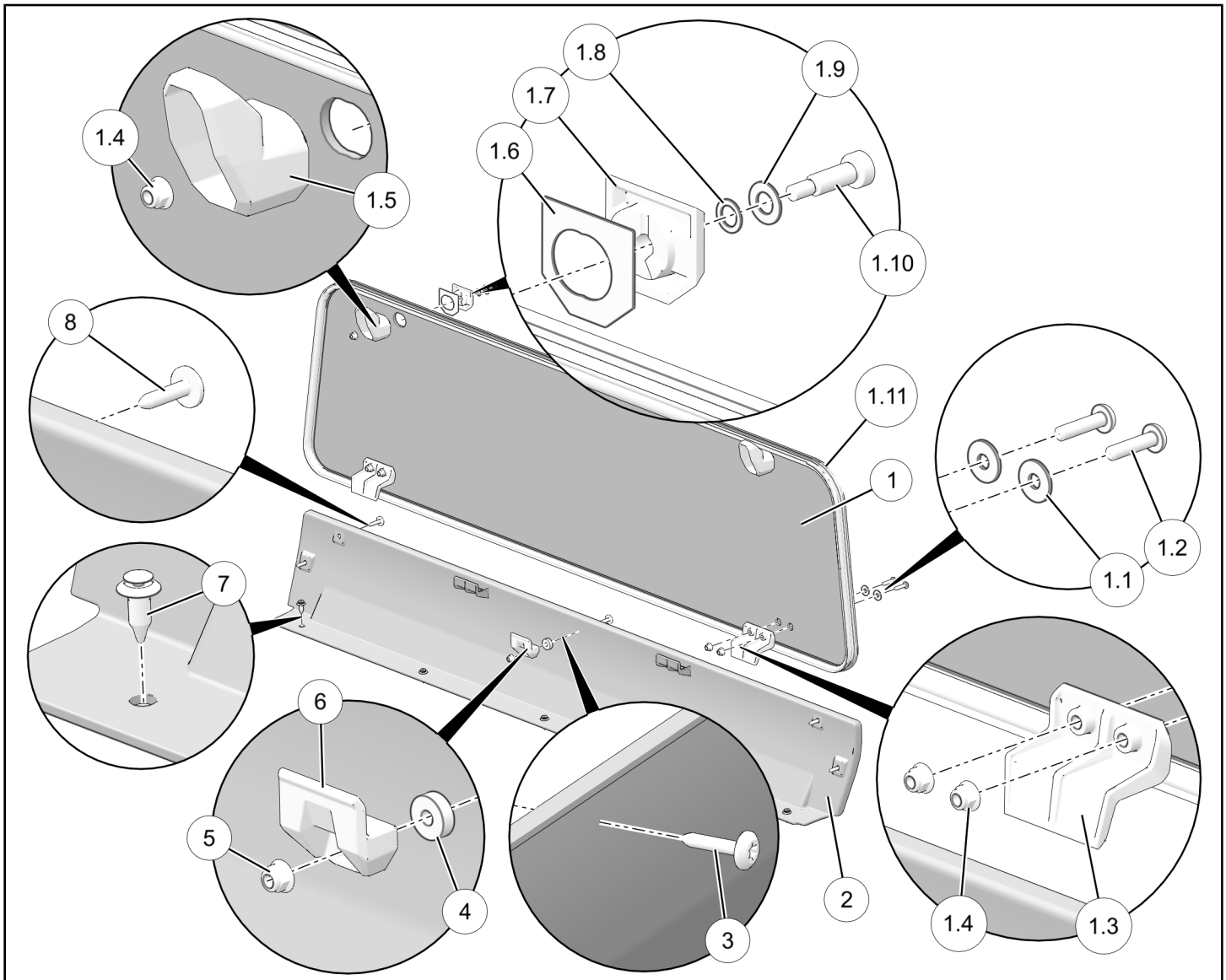
Verify accessory fitment at [Polaris.com](http://Polaris.com).

## BEFORE YOU BEGIN

Read these instructions and check to be sure all parts and tools are accounted for. Please retain these installation instructions for future reference and parts ordering information.

## KIT CONTENTS

This Kit includes:



REF	QTY	PART DESCRIPTION	PART NUMBER	INCLUDED IN SERVICE KIT
1	1	Panel, Glass (includes items 1.1–1.11)	-	-
1.1	4	- Washer - 6.4 X 18 X 1.4	-	2205981
1.2	4	- Screw, Torx® Pan Head - M6 X 1.0 X 25	7518535	2205981
1.3	2	- Mount, Lower	5439918	-
1.4	6	- Nut, Hex Flange - M6 X 1.0	7547453	2205981
1.5	2	- Handle	5452442	-
1.6	2	- Gasket	5451506	-
1.7	2	- Base, Handle	5451486	-
1.8	2	- Washer, Wave - 8.13 X 12.7 X 0.635	-	2205981
1.9	2	- Washer - 8.40 X 16 X 0.8	-	2205981
1.10	2	- Bolt, Shoulder, M8 - 20, M6 X 1.0	-	2205981
1.11	1	- Seal	5522136	-
2	1	Panel, Extension, Close-Off	5454222-070	-
3	1	Screw, Torx® Truss Head - M6 X 1.0 X 30	-	2207989
4	1	Spacer, Nylon - 0.28 X 0.75 X 0.25	7555932	2207989
5	1	Nut, Hex Flange - M6 X 1.0	7547453	2207989
6	1	Clip, Retention	5450014	2207989
7	5	Rivet, Plastic Push Pin, 0.315–0.325 X 0.787	7661855	2205981
8	4	Screw, Torx® Truss Head - M6 X 1.0 X 25	7519650	2205981
		Instructions	9926164	-

## TOOLS REQUIRED

- Safety Glasses
- Drill
- Drill Bit: 1/4 inch (6 mm), 5/16 inch (8 mm)\*
- Socket Set, Torx® Bit
- Socket Set, Metric
- Screwdriver Set, Torx®
- Torque Wrench
- Wrench Set, Metric

\* Tool requirement dependent on specific installation.

## IMPORTANT

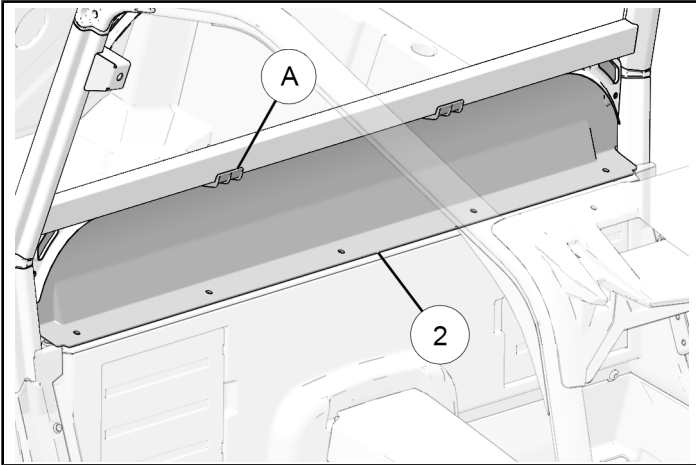
Your GLASS REAR PANEL KIT is exclusively designed for your vehicle. Please read the installation instructions thoroughly before beginning. Installation is easier if the vehicle is clean and free of debris. For your safety, and to ensure a satisfactory installation, perform all installation steps correctly in the sequence shown.

## INSTALLATION INSTRUCTIONS

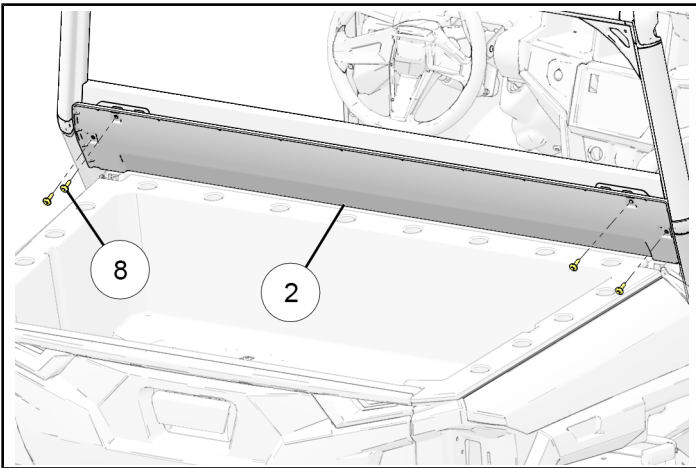
1. Shift vehicle transmission into “PARK”. Turn ignition switch to “OFF” position and remove key.
2. Remove seats (CREW: rear seats).

3. Install close-off extension panel.

- a. Install close-off extension panel ② by inserting upper brackets ① into ROPS cross-member.



- b. Pivot extension panel ② forward into ROPS, then loosely install four screws ⑧ through panel into ROPS.



- c. Using extension panel ② as template, mark five holes in existing vehicle close-off panel.

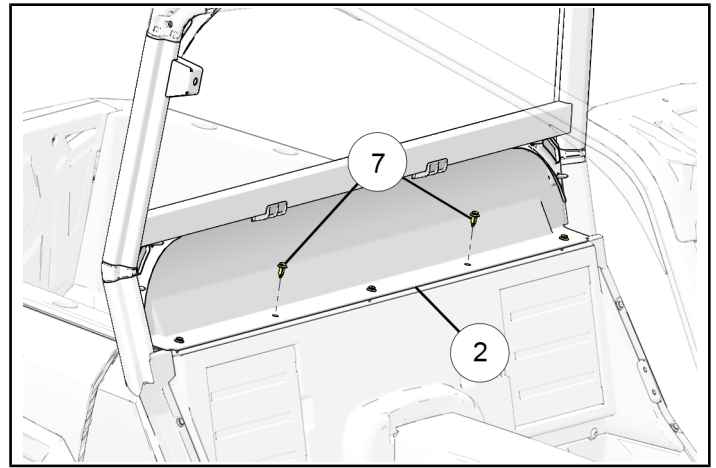
Remove extension panel, drill five 5/16 inch (8 mm) holes at marked locations, then reinstall extension panel using four screws ⑧ and five push pin rivets ⑦. Torque screws to specification.

**IMPORTANT**

Control drill depth to prevent damage to underlying structure or components.

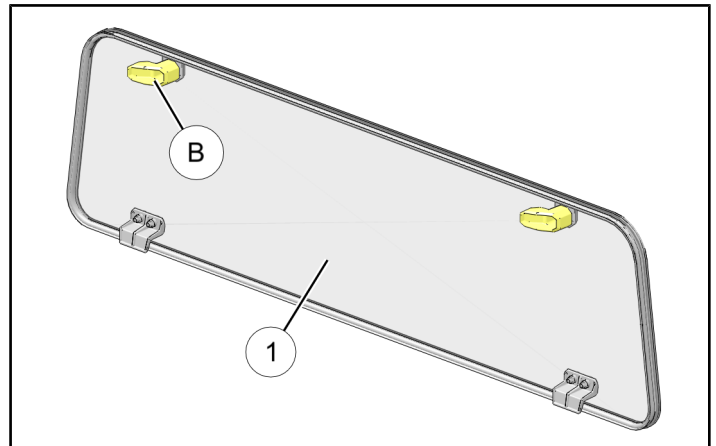
**TORQUE**

42 in. lbs. (4.7 Nm) ± 10%

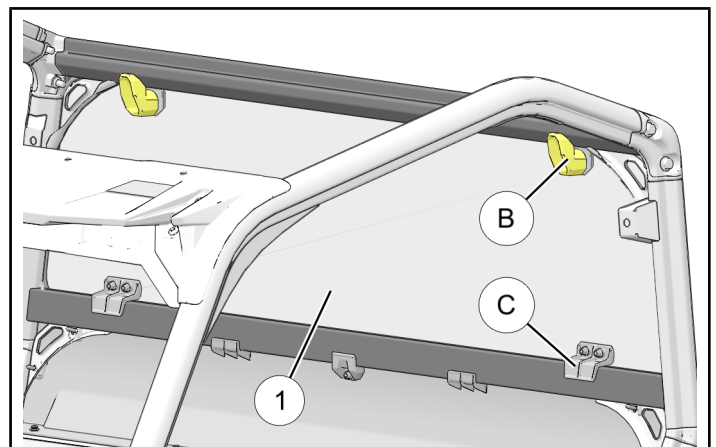


4. Install rear panel.

- a. Rotate two handles ⑥ on rear panel ① to unlocked position (parallel with upper panel edge).



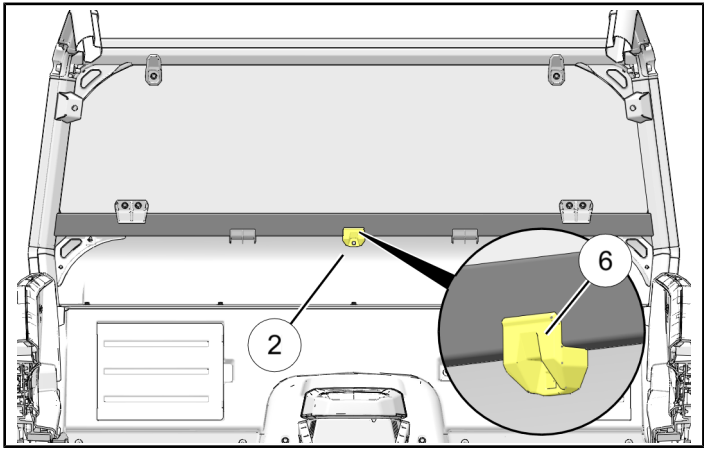
- b. Install rear panel ① by inserting two lower brackets ③ into ROPS cross-member. Pivot panel forward into ROPS, then rotate handles ⑥ to locked position (perpendicular to upper roof edge) as shown.



5. Install retention clip to close-off extension panel.
  - a. Center retention clip ⑥ on ROPS cross-member, butted up to lower side of cross-member. Mark hole in close-off extension panel ②.

**NOTE**

Gap between clip and panel will be filled with spacer in Step c. below.

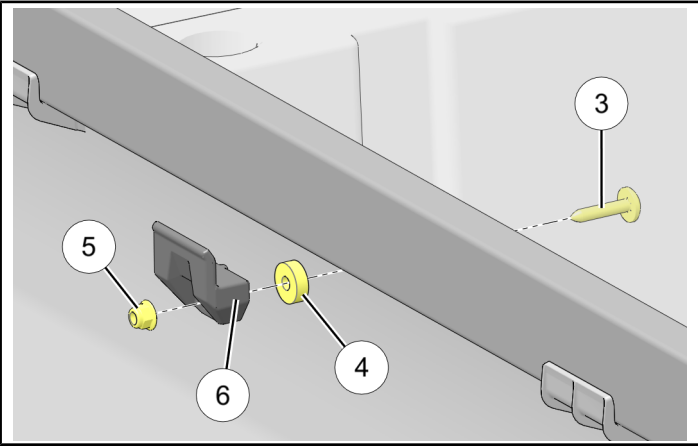


- b. Drill 1/4 inch (6 mm) hole through close-off extension panel ② at marked location.

- c. Install clip ⑥ to extension panel ② using screw ③, nylon spacer ④, and nut ⑤. Torque to specification.

**TORQUE**

42 in. lbs. (4.7 Nm) ± 10%



6. Reinstall seats.

**⚠ WARNING**

If transporting vehicle in non-enclosed trailer then the following two items are required:

- A windshield must be installed (sold separately), and be FULLY CLOSED and LOCKED.
- The vehicle must FACE FORWARD.

If the above requirements are not met, then panel ① must be removed.

Failure to comply may allow airflow, vibration, or other factors to separate rear panel from vehicle and cause an accident, resulting in serious personal injury or death.

## FEEDBACK FORM

A feedback form has been created for the installer to provide any comments, questions or concerns about the installation instructions. The form is viewable on mobile devices by scanning the QR code or by clicking [HERE](#) if viewing on a PC.

