

FIXED GLASS WINDSHIELD KIT



P/N 2881109

APPLICATION

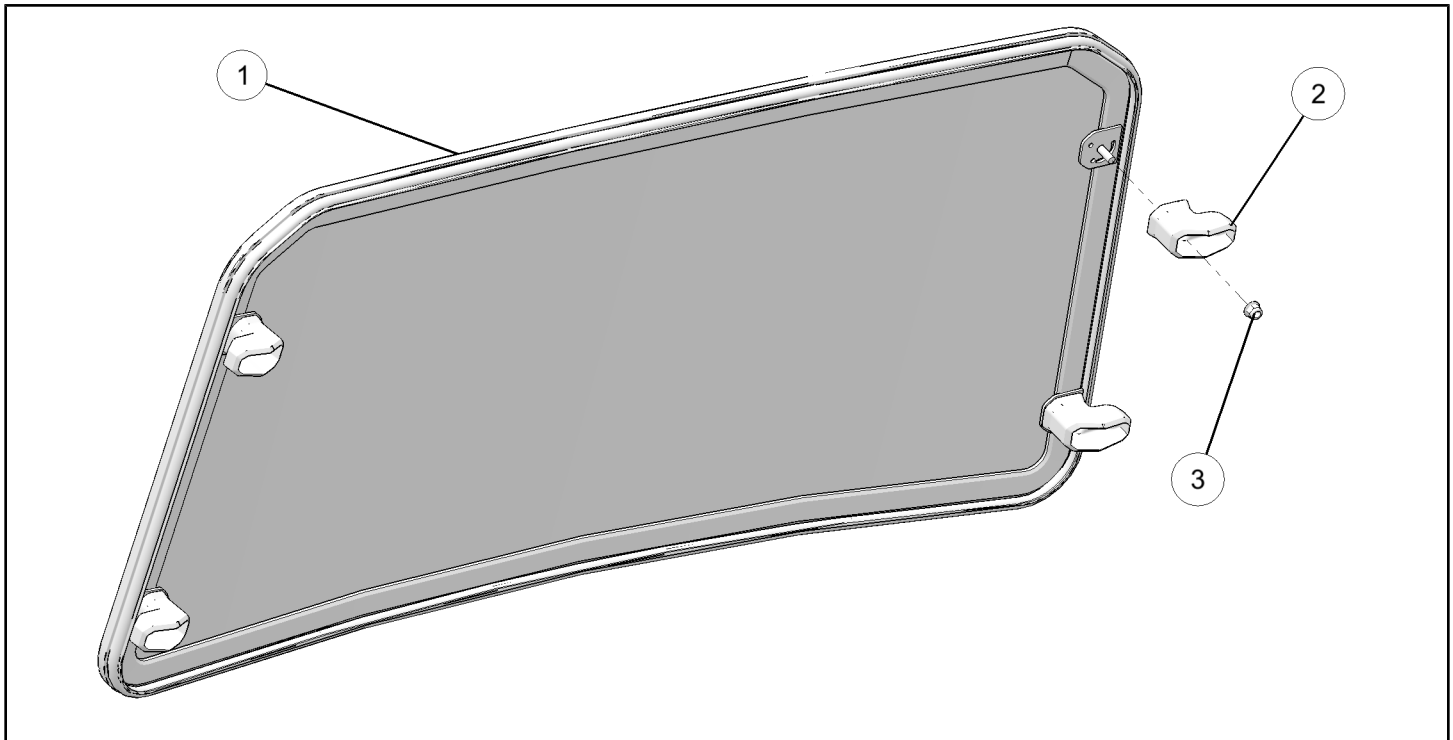
Verify accessory fitment at Polaris.com.

BEFORE YOU BEGIN

Read these instructions and check to be sure all parts and tools are accounted for. Please retain these installation instructions for future reference and parts ordering information.

KIT CONTENTS

This Kit includes:



REF	QTY	PART DESCRIPTION	PART NUMBER
1	1	Windshield Assembly (includes items 2 and 3 below)	2636046
2*	4	Handle	5452533
3*	4	Nut, Hex Flange - M8 X 1.25	7547454
	1	Instructions	9926167

Items marked (*) are included in Hardware Kit PN 2205984.

TOOLS REQUIRED

- Safety Glasses

IMPORTANT

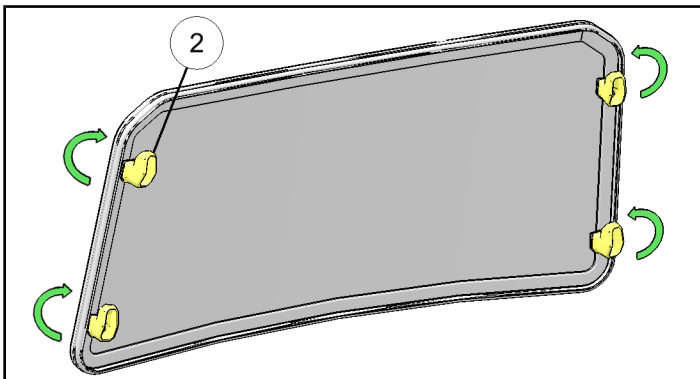
Your FIXED GLASS WINDSHIELD KIT is exclusively designed for your vehicle. Please read the installation instructions thoroughly before beginning. Installation is easier if the vehicle is clean and free of debris. For your safety, and to ensure a satisfactory installation, perform all installation steps correctly in the sequence shown.

ASSEMBLY TIME

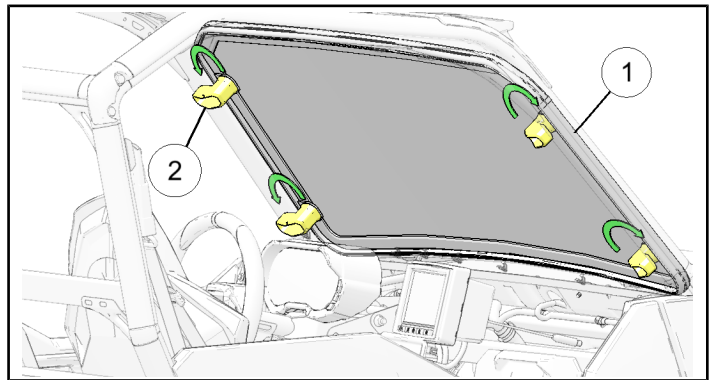
Approximately 5 minutes

INSTALLATION INSTRUCTIONS

1. Place vehicle in "PARK". Turn key to "OFF" position and remove from vehicle.
2. Turn four handles ② so they are in unlocked position (parallel with sides of windshield) as shown.



3. Install windshield ① into ROPS, then turn handles ② to locked position (perpendicular to sides of windshield) as shown.



NOTE

Tighten nut ③ as required to achieve desired level of handle resistance.

