

CELL MODEM KIT



P/N 2884420, 2884467, 2884468

IMPORTANT

Due to the technical nature of this kit, Indian Motorcycle® insists that this installation be performed by a certified Indian Motorcycle® technician.

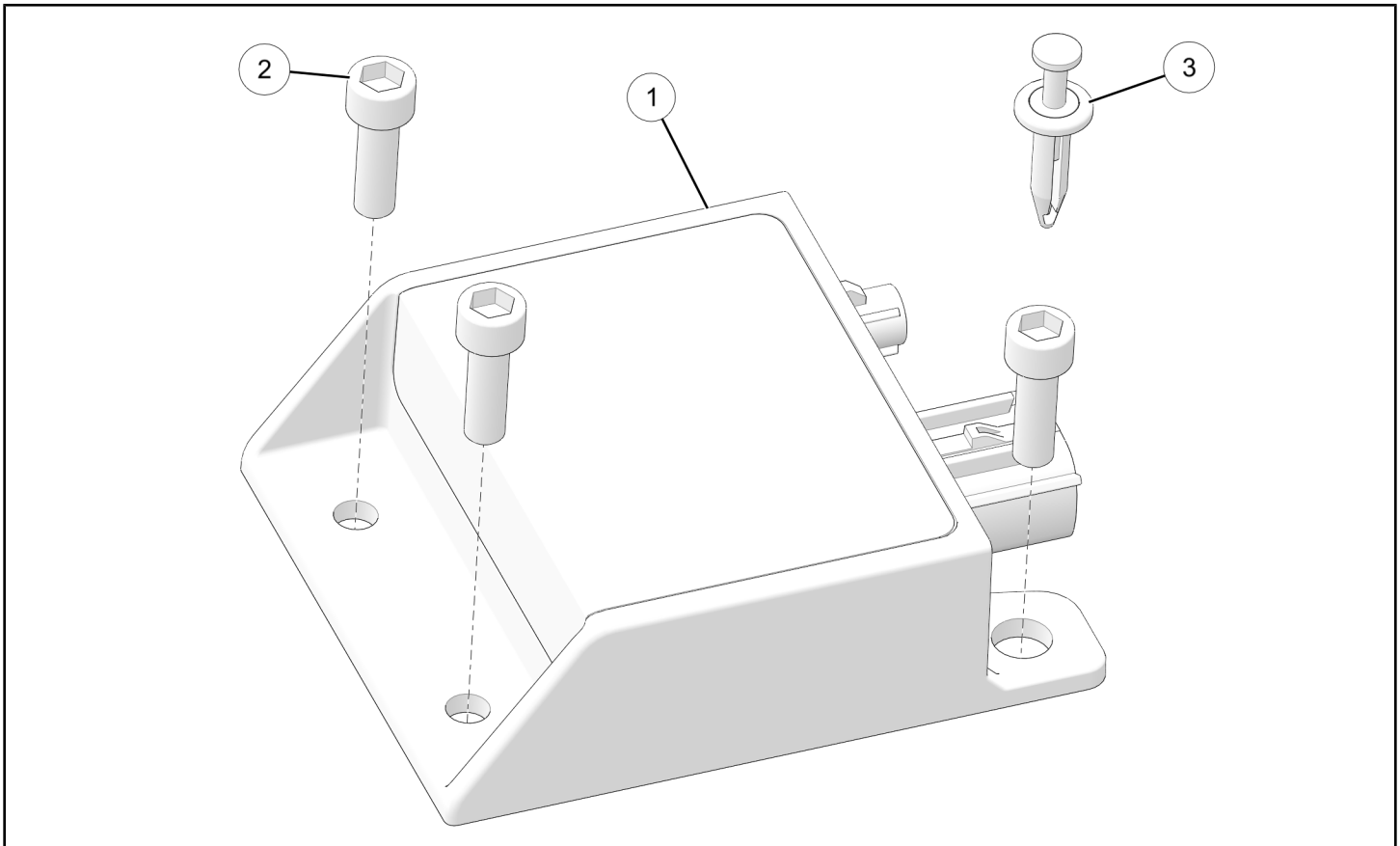
APPLICATION

Verify accessory fitment at www.indianmotorcycle.com.

BEFORE YOU BEGIN

Read these instructions and check to be sure all parts and tools are accounted for. Please retain these installation instructions for future reference and parts ordering information.

KIT CONTENTS



REF	QTY	PART DESCRIPTION	P/N AVAILABLE SEPARATELY
1	1	Module, Cell Modem, Canada (Kit PN 2884420) Module, Cell Modem, USA (Kit PN 2884468)	4018230
2	3	Screw, Socket Head, M5 X 0.8 X 16 (Kit PN 2884420, Kit PN 2884468)	7516610
3	1	Rivet, Plastic (Kit PN 2884420, Kit PN 2884468)	7661891
4	1	Code Card, Map Update (Not Shown) (Kit PN 2884420, 2884467, 2884468)	9930792

TOOLS REQUIRED

- Safety Glasses
- Battery Charger/Maintainer
- Digital Wrench™
- Pick and Hook Set
- Pliers, Side Cutting
- Socket Set, Hex Bit, Metric
- Socket Set, Metric
- Socket Set, SAE
- Socket Set, Torx® Bit
- Torque Wrench
- Wrench Set, Metric
- **Special Service Tool:**
 - Non-marring Pry Tool, P/N 5456907 (or equivalent)

IMPORTANT

Your Indian Motorcycle® Cell Modem Kit is exclusively designed for your vehicle. Please read the installation instructions thoroughly before beginning. Installation is easier if the vehicle is clean and free of debris. For your safety, and to ensure a satisfactory installation, perform all installation steps correctly in the sequence shown.

INSTALLATION INSTRUCTIONS

US/CAN MODELS	INTERNATIONAL MODELS
Outer Fairing removal is necessary for cell modem installation.	Fairing removal and cell modem installation is NOT required. Proceed to “Update Maps” section.

VEHICLE PREPARATION

GENERAL

IMPORTANT

Installation requires motorcycle to be powered on for extended periods. Ensure battery is connected to a charger/maintainer during this process.

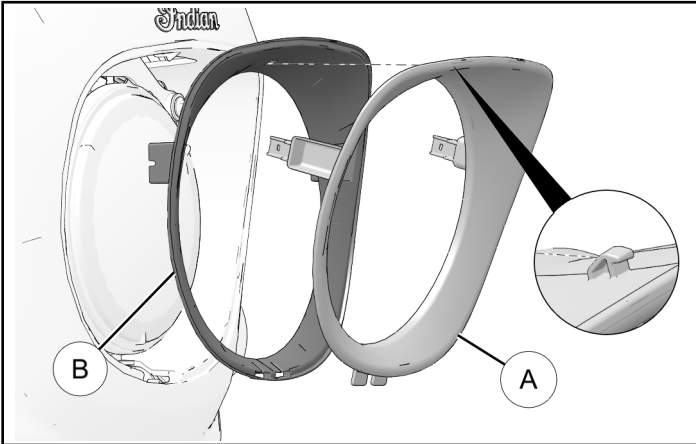
1. Turn key or ignition switch to **OFF** position and remove key. If equipped with keyless fob, remove fob from proximity of vehicle.
2. Ensure motorcycle is parked on a flat surface, kickstand is fully extended, and vehicle is stable prior to installation.

FORK MOUNTED FAIRING BIKES

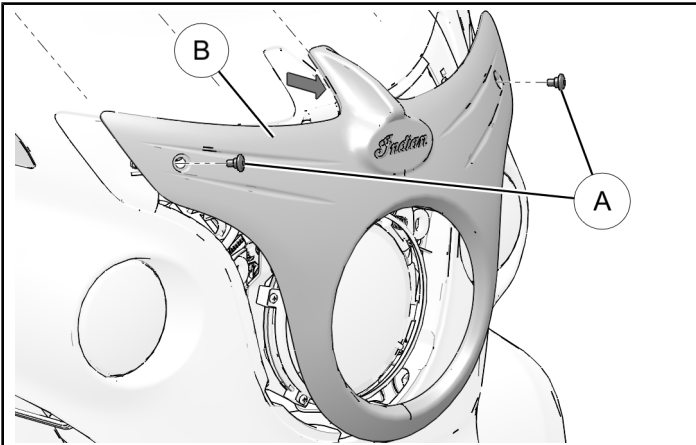
HEADLIGHT ASSEMBLY REMOVAL

1. Remove headlight bezel.

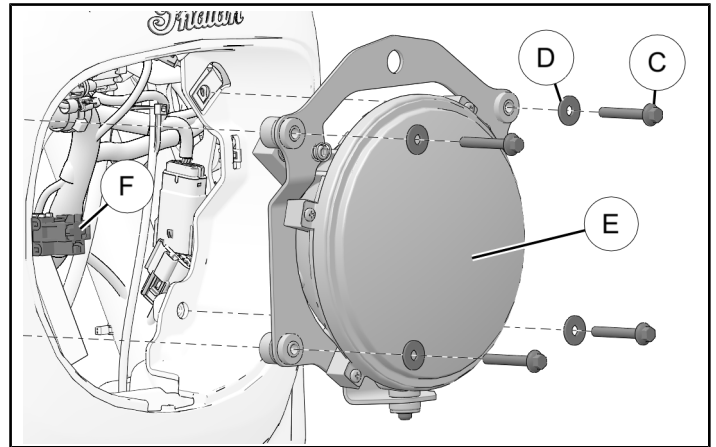
- **Chieftain® Fairing:**
Using a small non-marring tool, pry down on headlight trim (A) to release tab, pull headlight trim (A) and rubber surround (B) from fairing and carefully set aside.



- **Classic Fairing:**
Remove and retain two screws (A) and carefully pull trim piece (B) from fairing.

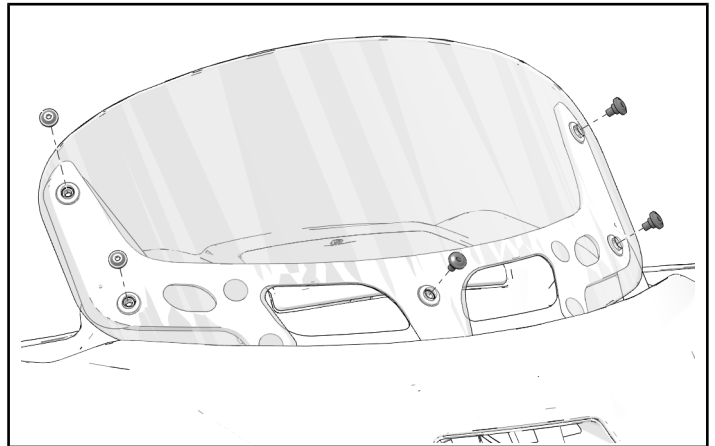


2. Remove and retain four screws (C) and washers (D) from headlight assembly frame (E) and remove headlight assembly. Disconnect headlight connector (F) from headlight. Carefully set assembly aside.

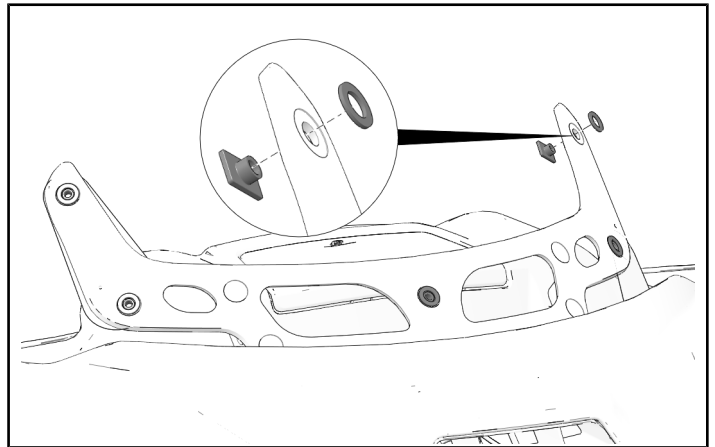


REMOVE WINDSHIELD

1. Raise windshield to highest position.
2. Remove and retain five screws from windshield.

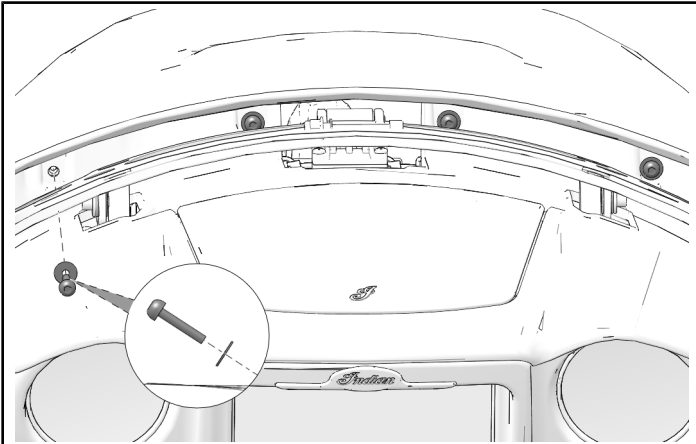


3. Carefully remove windshield and set aside on a soft cloth.
4. Retain five rubber washers and nut inserts for reinstallation.

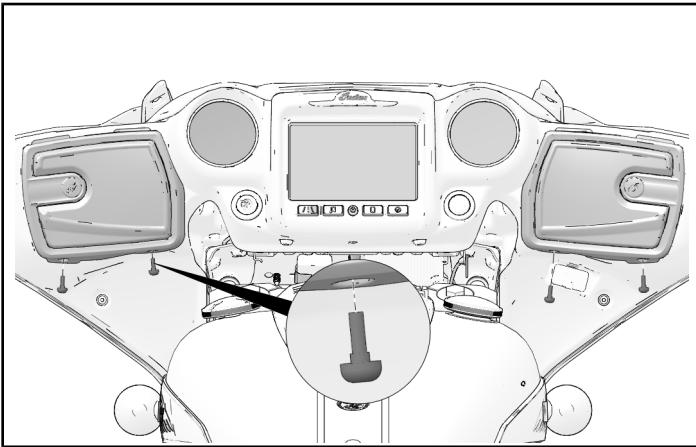


FAIRING REMOVAL

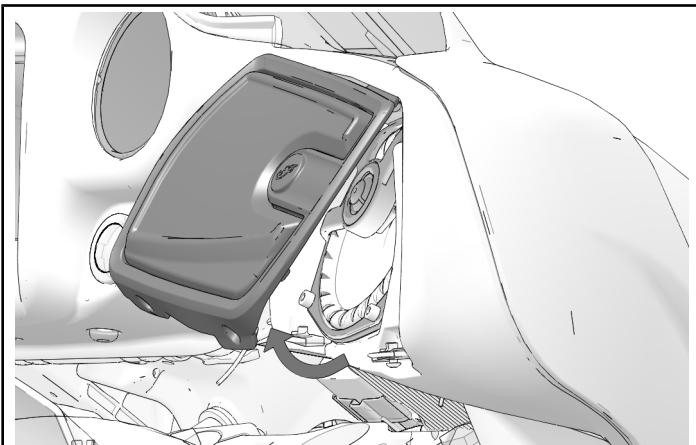
1. Remove and retain four screws from top edge of fairing, directly below front edge of windshield bracket.



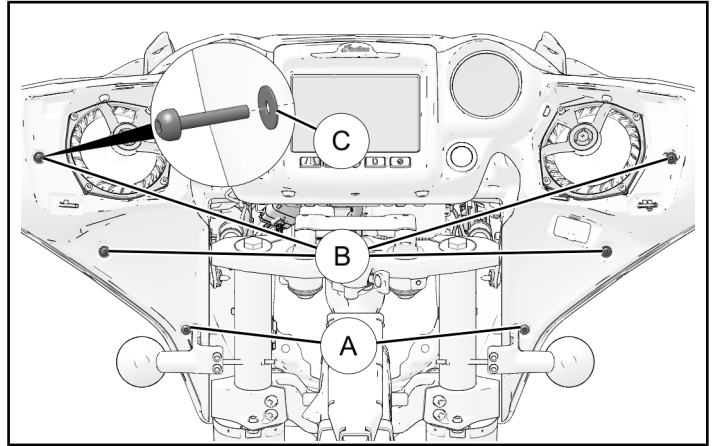
2. Remove and retain two screws from bottom edge of each fairing speaker grill.



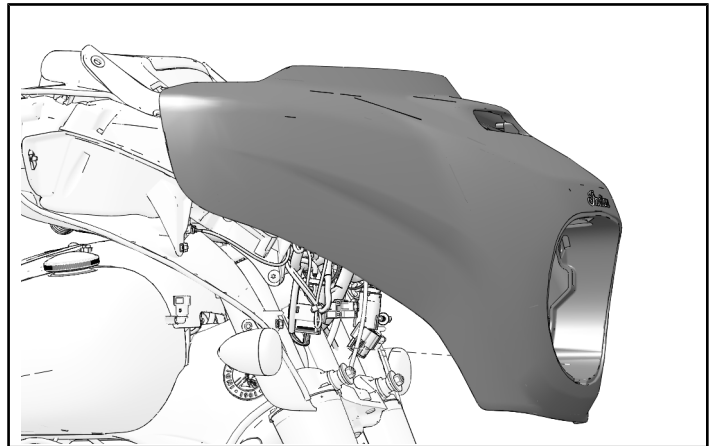
3. Rotate speaker grill from bottom and remove from fairing. Carefully set aside on a non-scratch surface.



4. Remove and retain two screws (A) from lower portion of inner fairing, and four screws (B) and washers (C) from middle outside of inner fairing.



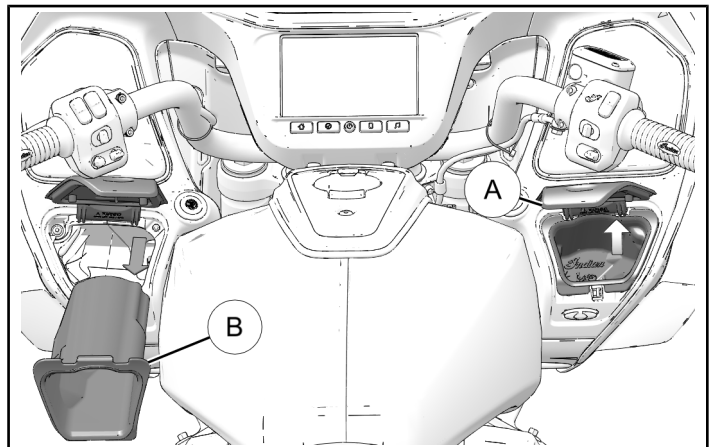
5. Carefully remove outer fairing and set aside on a non-scratch surface.



CHASSIS MOUNTED FAIRING BIKES

OUTER FAIRING REMOVAL

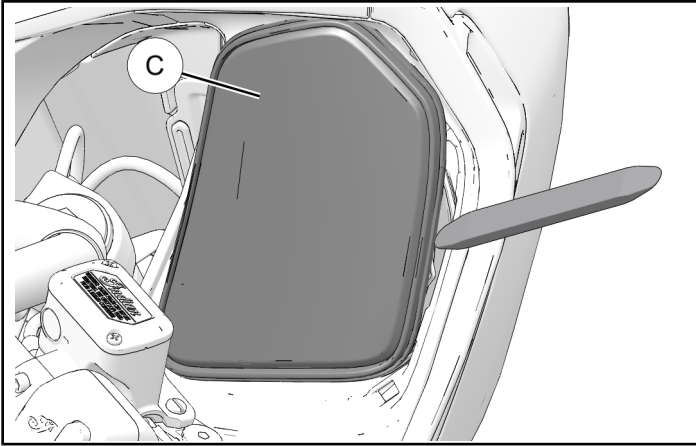
1. Open storage doors (A) and pull out storage liners (B). Set liners aside.



2. Carefully pry along edge with non-marring pry tool to disengage speaker grill assemblies (C).

TIP

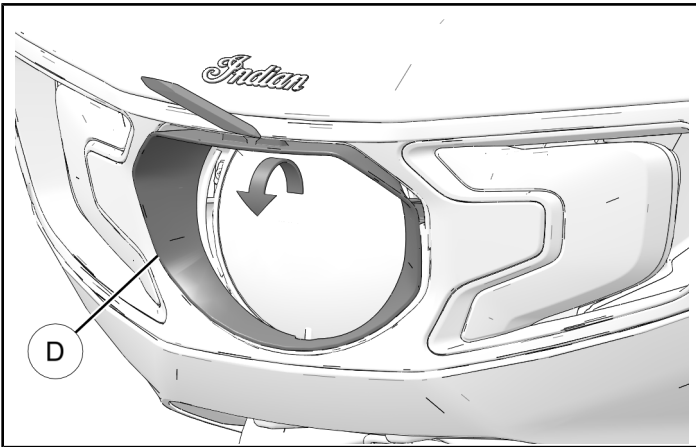
Use Special Tool:
Non-marring Pry Tool, P/N 5456907 (or equivalent)



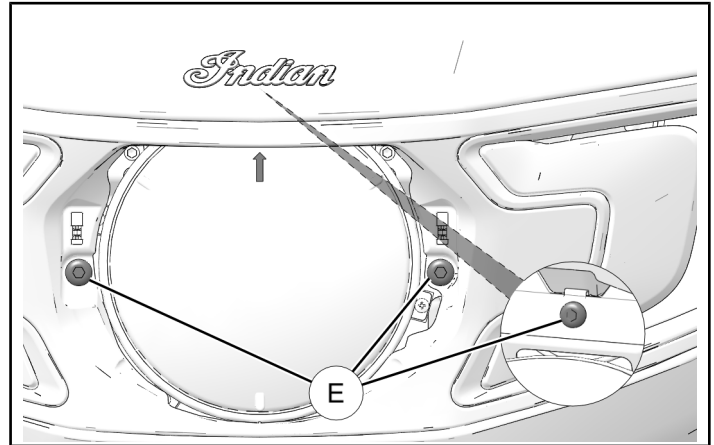
3. Gently pry along top edge of headlight bezel (D) with non-marring pry tool. Pull headlight bezel (D) down and out. Carefully set aside.

TIP

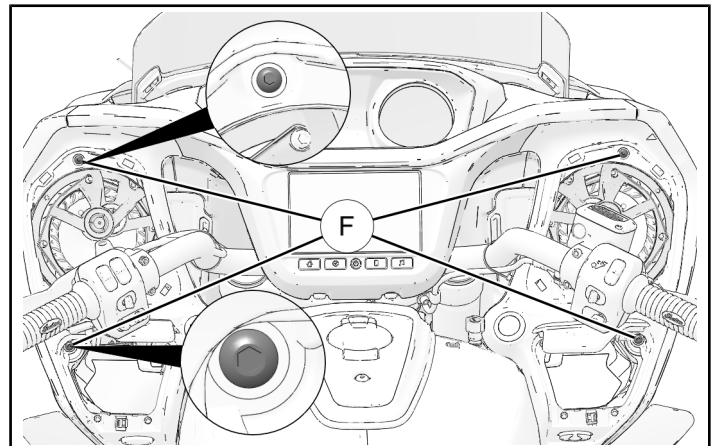
Use Special Tool:
Non-marring Pry Tool, P/N 5456907 (or equivalent)



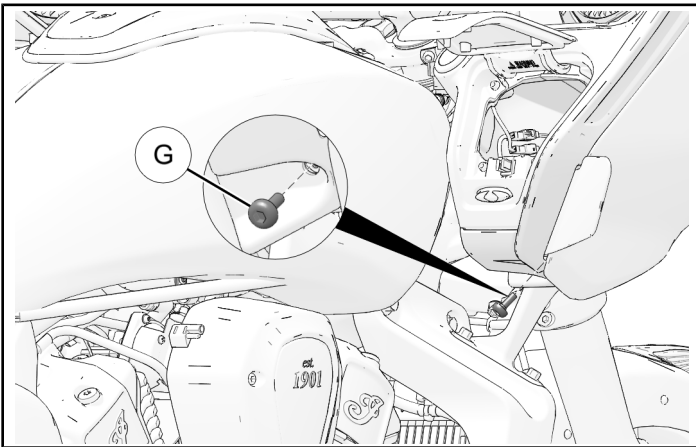
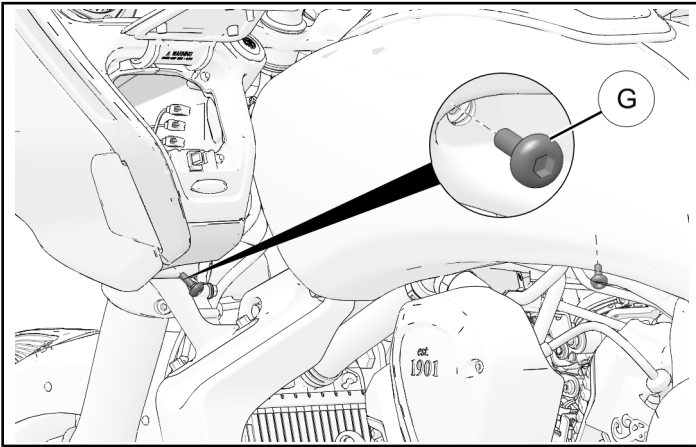
4. Remove and retain three screws (E) from around headlight bezel as shown.



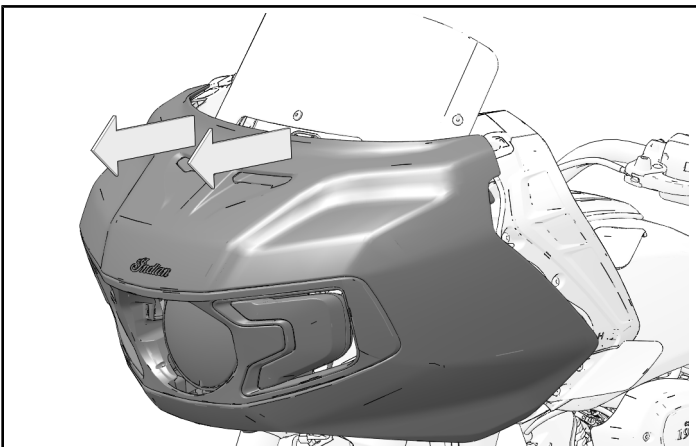
5. Remove and retain two screws (F) from top outer corner of storage openings and two screws (F) from top center of speaker openings.



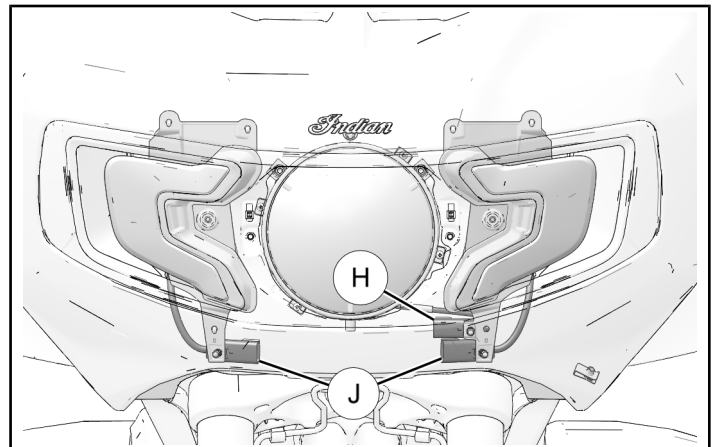
6. Remove and retain one screw (G) from under edge of each side of fairing as shown.



7. Pull fairing outward at top to disengage. Pull fairing out a short distance and disconnect headlight and turn signal wire connectors.



8. Disconnect connectors for headlight (H) and turn signals (J).

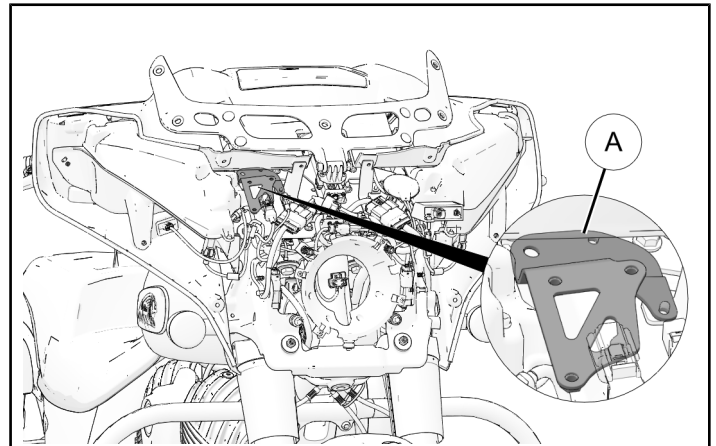


9. Carefully pull outer fairing off motorcycle and set aside.

ACCESSORY INSTALLATION

FORK MOUNTED FAIRING MODULE INSTALLATION

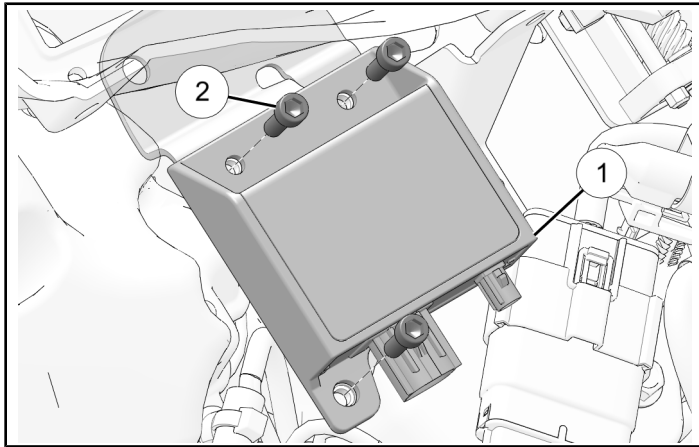
1. Locate mounting bracket (A).



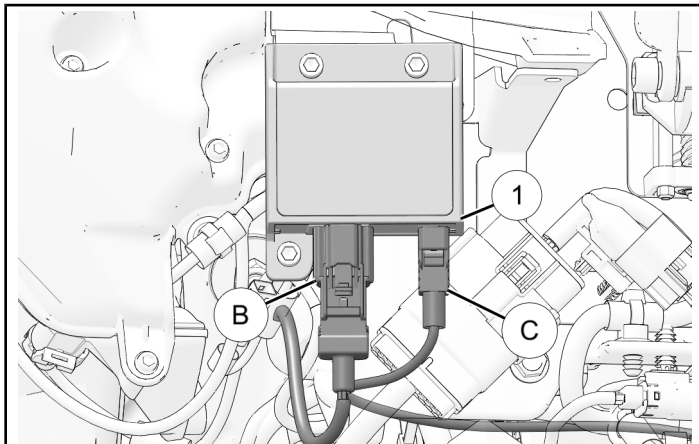
- Set module ① in place and secure with three new screws ②. Torque screws to specification.

TORQUE

Module Mounting Screw ②:
36 in-lbs (4 N·m)

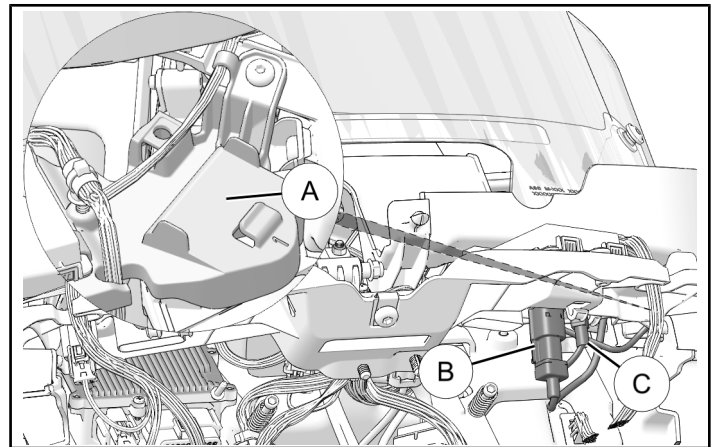


- Locate both connectors ② and ③, cut retaining zip-ties (if needed for length) and connect to module ①.

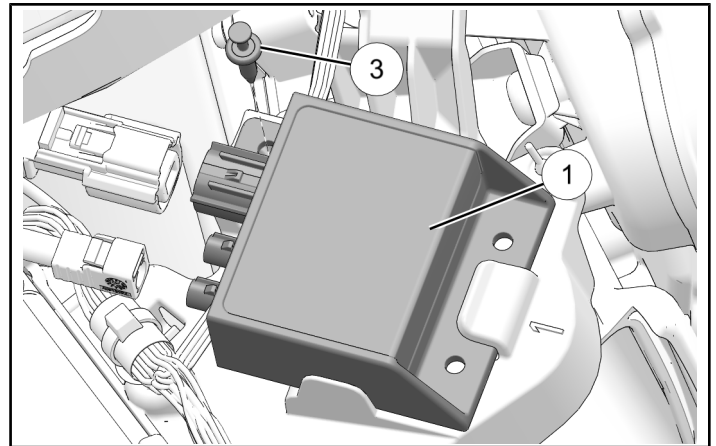


CHASSIS MOUNTED FAIRING MODULE INSTALLATION

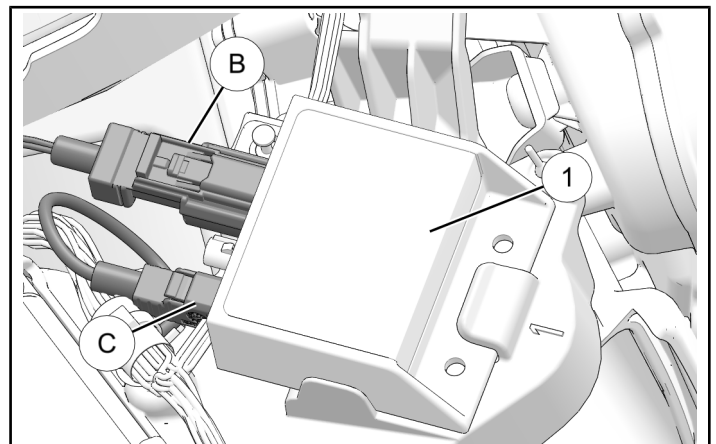
- Locate mounting location ④ on LH side of fairing and two connectors ⑤ and ⑥ located on blank plugs directly underneath.



- Unplug connectors ⑤ and ⑥ and bring to module. Cut retaining zip-ties (if needed for length). Set module ① in place under tab and secure with push-pin rivot ⑦.



- Connect both connectors ⑤ and ⑥ to module ①.



DIGITAL WRENCH® SETUP

PREREQUISITES

1. Motorcycle battery is connected to a battery maintainer/charger.
2. Ensure there is a reliable internet connection.
3. Ensure latest version of Digital Wrench® is installed.
 - a. Log into Polaris Dealers Website.
 - b. Select **Service and Warranty** menu.
 - c. Select **Digital Wrench® Updates**.

PERFORM DIGITAL WRENCH CELL MODEM ACTIVATION (USA AND CANADA ONLY)

NOTE

You must be in an area where cell reception is available.

1. Connect Digital Wrench® cable to diagnostic port on motorcycle and power on motorcycle.
2. Enter vehicle information as required.
3. Select **Special Tests** menu item.
4. Select **Modem Procedures** menu item.
5. Select **Install** option.
6. Follow Digital Wrench® screen prompts until **Modem Activation Completed Successful** is displayed.

UPDATE MAPS

PERFORM UPDATE

1. Navigate to <https://ridecommand.indianmotorcycle.com/en-us/ridecommand> or click link if viewing on a PC and follow on-screen instructions to complete map update.

VERIFY INSTALLATION

NOTE

You must be in an area where cell reception is available.

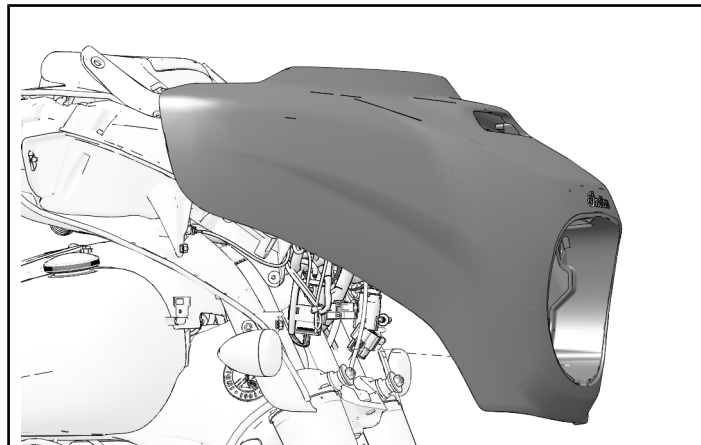
1. Once map update is complete, verify installation by navigating to the Navigation screen in Ride Command™ and confirming that map data is visible.
2. **USA and Canada Only:** Verify cell modem functionality by turning on traffic and/or weather overlays and confirm data is shown on map.

VEHICLE REASSEMBLY

FORK MOUNTED FAIRING BIKES

INSTALL FAIRING

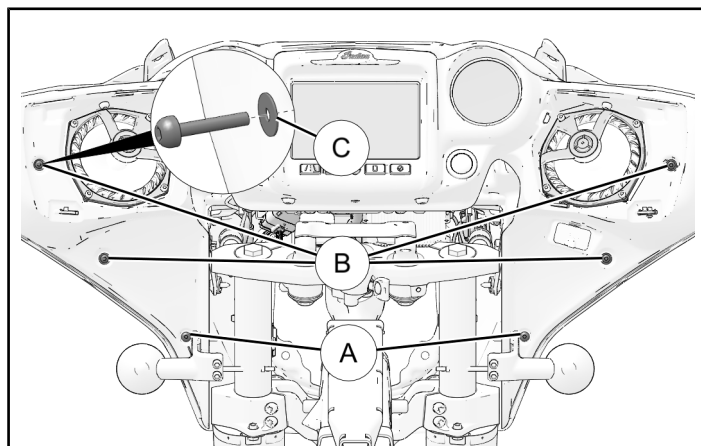
1. Install outer fairing onto motorcycle.



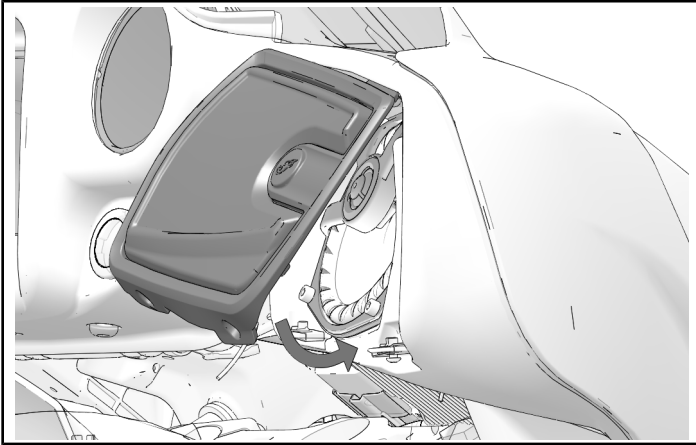
2. Secure with two screws (A) in lower portion of inner fairing, and four screws (B) and washers (C) in middle outside of inner fairing. Torque screws to specification.

TORQUE

Outer Fairing Screws (A) and (B):
36 in-lbs (4 N·m)



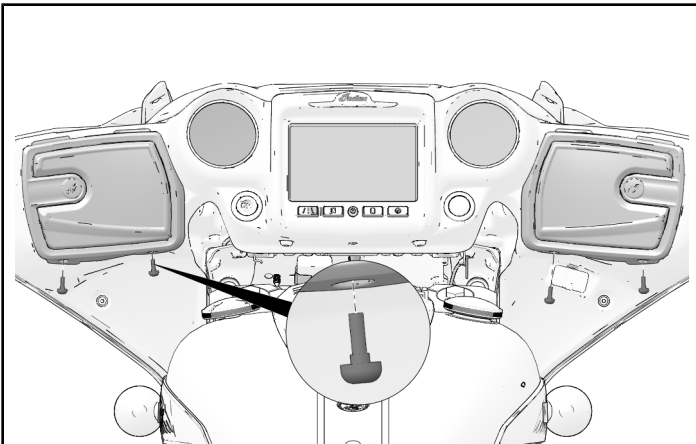
3. Rotate speaker grill from top and install into fairing.



4. Secure each grill with two screws in bottom edge of each fairing speaker grill. Torque screws to specification.

TORQUE

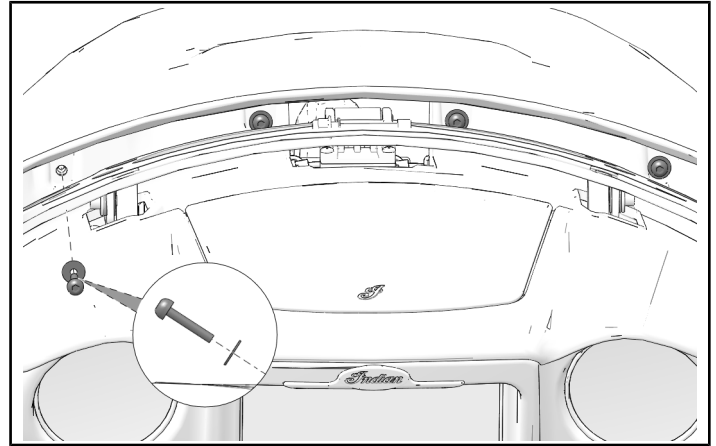
Speaker Grill Screw:
36 in-lbs (4 N·m)



5. Install four screws to top edge of fairing, directly below front edge of windshield bracket. Torque screws to specification.

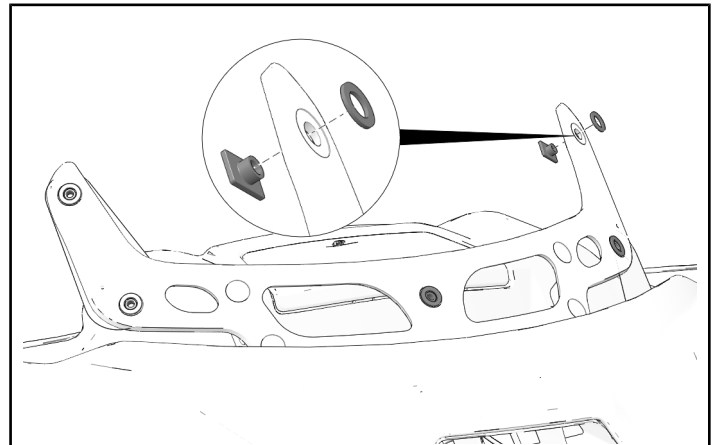
TORQUE

Outer Fairing Upper Screws:
36 in-lbs (4 N·m)



INSTALL WINDSHIELD

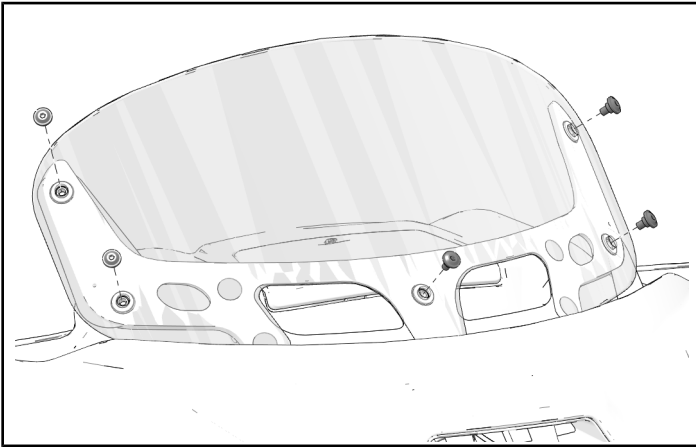
1. Raise windshield bracket to highest position.
2. Install five rubber washers and nut inserts.



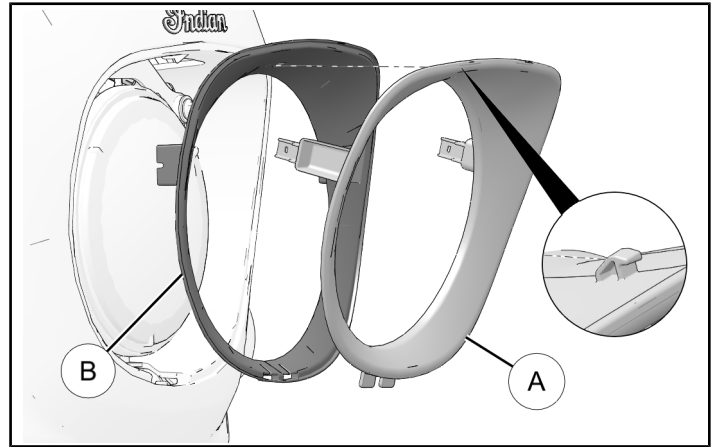
- Set windshield in place and secure with five screws. Torque screws to specification.

TORQUE

Windshield Screws:
36 in-lbs (4 N·m)



- Chieftain®:**
 Install rubber surround (B) and headlight trim (A) into fairing and carefully press into place.



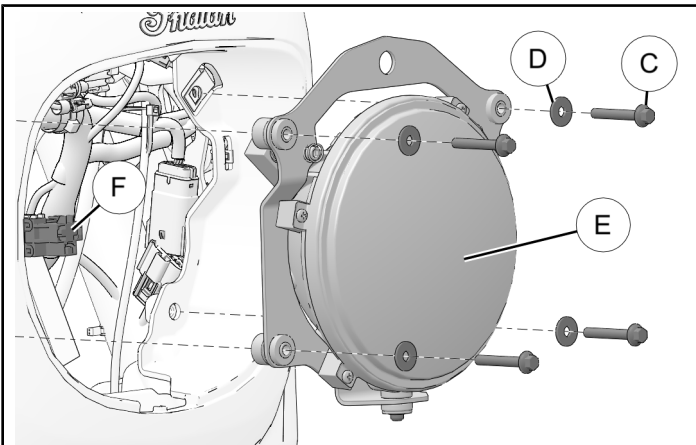
- Chieftain® Classic:**
 Install trim piece (B) into fairing and secure with two retained screws (A). Torque screws to specification.

HEADLIGHT ASSEMBLY INSTALLATION

- Plug headlight connector (F) into headlight and install headlight into place. Secure headlight assembly frame (E) with four retained screws (C) and washers (D). Torque screws to specification.

TORQUE

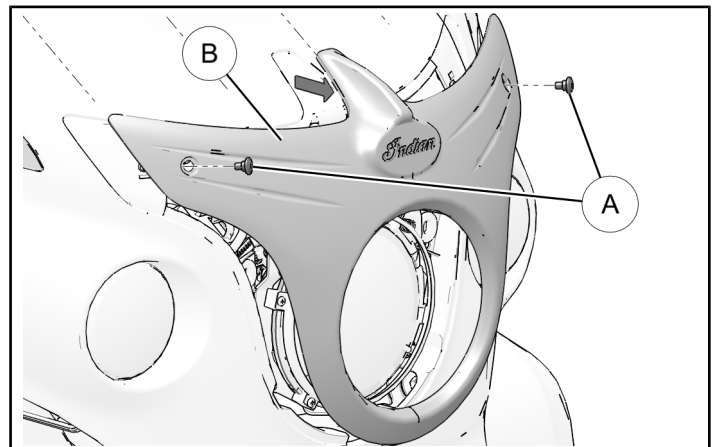
Headlight Bracket Fasteners (C):
75 in-lbs (8.5 N·m)



- Install headlight bezel.

TORQUE

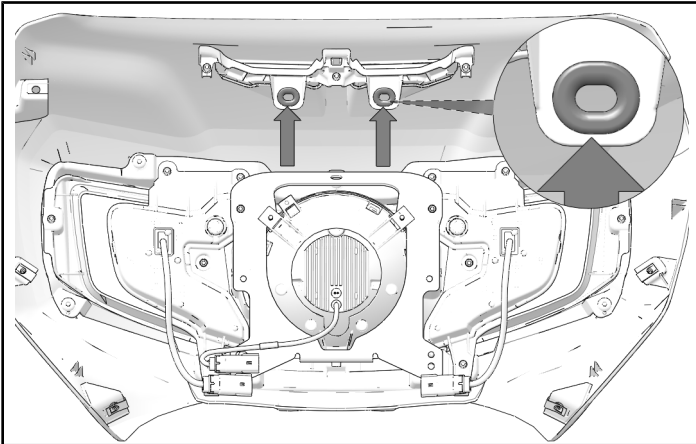
Bezel Fasteners:
36 in-lbs (4 N·m)



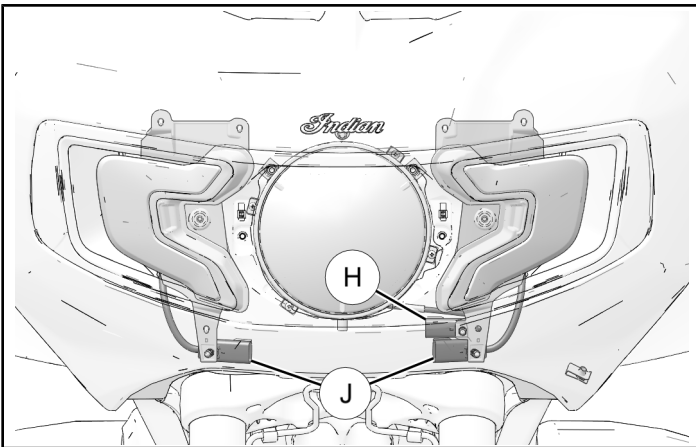
CHASSIS MOUNTED FAIRING BIKES

OUTER FAIRING INSTALLATION

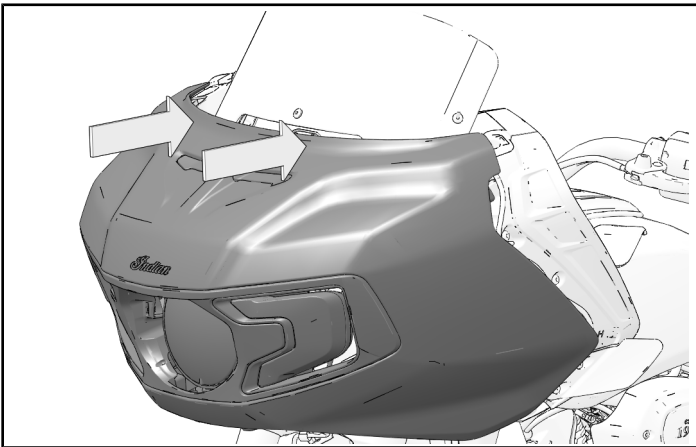
1. Lubricate two grommets on inside of fairing.



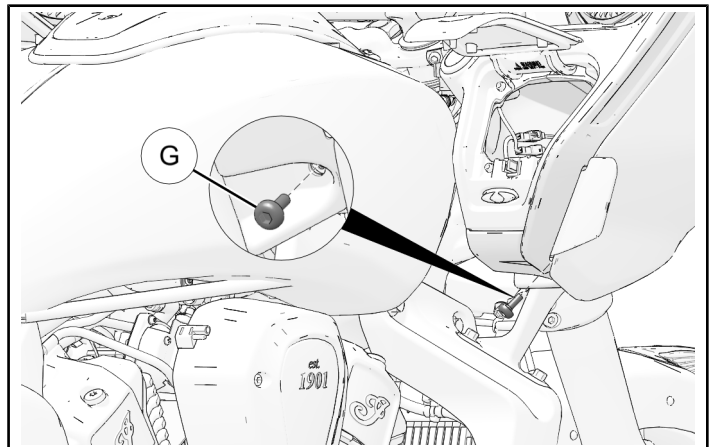
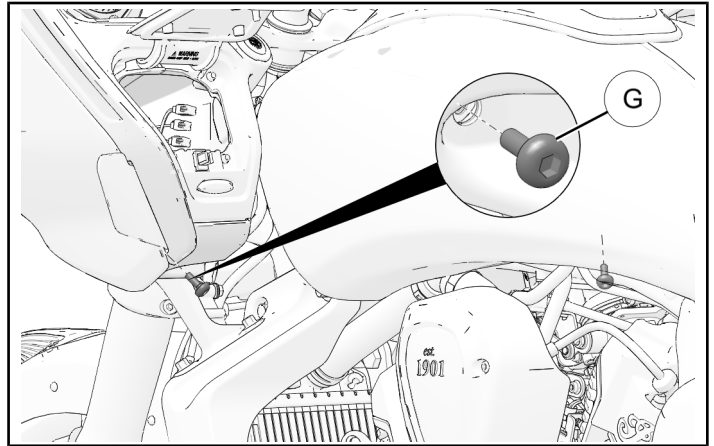
2. Set outer fairing in place and connect turn signal (J) and headlight (H) wire connectors.



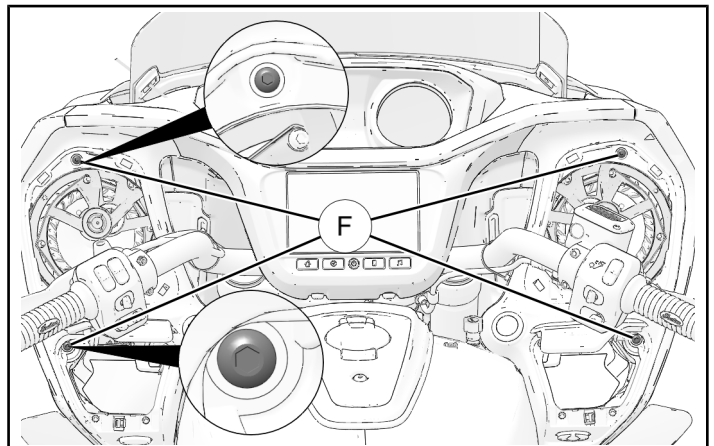
3. Press fairing into place and at top edge to engage locating pins.



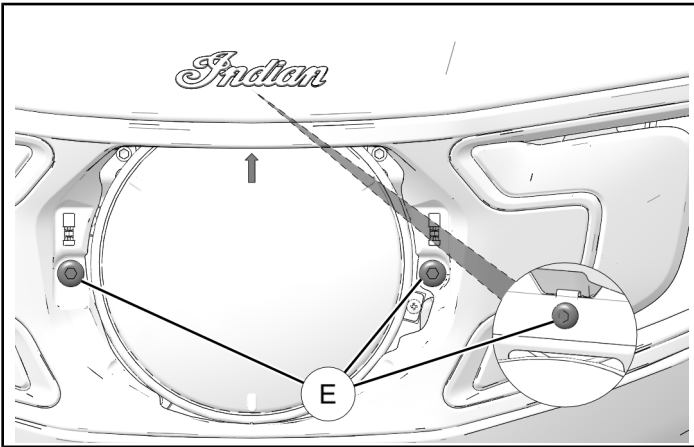
4. Loosely install one screw (G) into hole under edge of each side of fairing as shown. **DO NOT** torque fastener at this time.



5. Loosely install two screws (F) into top outer corner of storage openings and two screws (F) into top center of speaker openings. **DO NOT** torque fasteners at this time.



6. Loosely install three screws (E) around headlight bezel as shown.



7. Torque all outer fairing screws to specification.

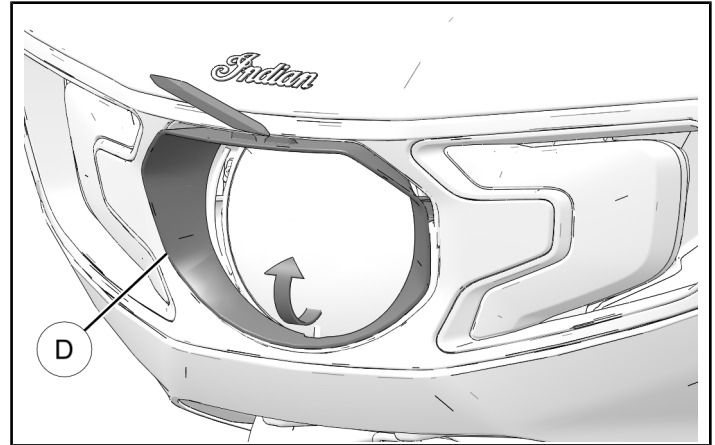
TORQUE

Outer Fairing Screws (E), (F), (G):
36 in-lbs (4 N·m)

8. Carefully reinstall headlight bezel (D) into outer fairing opening starting with bottom tab. Press down on bezel (or use non-marring tool as shown) to insert upper tabs without damaging finish.

TIP

Use Special Tool:
Non-marring Pry Tool, P/N 5456907 (or equivalent)



9. Reinstall fairing speaker grills (C).
10. Reinsert storage liners (B).

FEEDBACK FORM

A feedback form has been created for the installer to provide any comments, questions or concerns about the installation instructions. The form is viewable on mobile devices by scanning the QR code or by clicking [HERE](#) if viewing on a PC.

